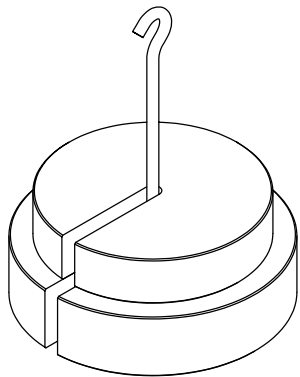
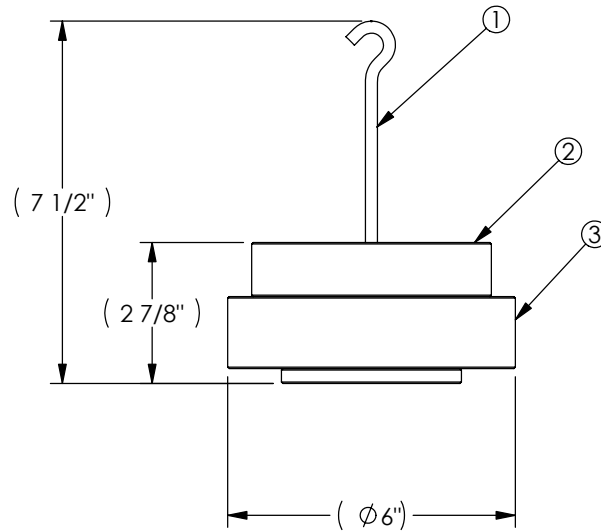

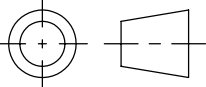


REVISIONS				
LETTER	DATE	BY	ECN	DESCRIPTION



3 DIMENSIONAL VIEW  
SCALE 1 : 4

ITEM NO.	PART NUMBER	DESCRIPTION	QTY.
3	51W009	CAL WEIGHT, SLOTTED, 10 lb	1
2	51W008	CAL WEIGHT, SLOTTED, 5 lb	1
1	51W006	CAL WEIGHT, HANGER, 1 lb	1

MATERIAL: (CAST IRON)	DESIGN	-	-	 <b>MAGTROL INC.</b> 70 GARDENVILLE PKWY, W. BUFFALO, NEW YORK 14224-1322
	DRAWN	JEF	01/18/07	
FINISH:	CHECKED	-	-	TITLE WT-805, CAL WEIGHT KIT, 16 lb
THIRD ANGLE PROJECTION				UNLESS OTHERWISE SPECIFIED: DIMENSIONS ARE IN INCHES, DIAMETERS CONCENTRIC: .003 TIR, FACES PERPENDICULAR: .003 INTERPRETATION PER ASME Y14.5M-1994 REMOVE ALL BURRS AND BREAK SHARP EDGES .005/.010 X 45°, ALL INSIDE CORNERS TO BE .02 R MAX. TOLERANCES: .XX ± .01      FRAC. ± 1/64" .XXX ± .005    ANG. ± 1° SURFACE FINISH 125 RMS MAX. U.O.S.
THIS DRAWING AND SPECIFICATION CONTAINS PROPRIETARY INFORMATION TO MAGTROL INC. ANY DISCLOSURE OR REPRODUCTION OF THIS DOCUMENT WITHOUT WRITTEN AUTHORIZATION FROM MAGTROL INC. IS EXPRESSLY PROHIBITED				USED ON: - SIMILAR TO: - DWG. NO. <div style="font-size: 24pt; font-weight: bold;">51W027</div> REV -
SIZE <b>A</b>		SCALE 1:4	SHEET # 1 OF 1	