

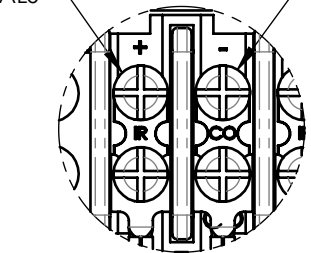
STOCK CODE	MODEL NUMBER	THERMOCOUPLE TYPE	THERMOCOUPLE EXTENSION WIRE LENGTH "L1" (METERS)	SHIELDING LENGTH "L2" (METERS)
007174	TCBS-J-3	J (-210° TO 1200°C)	3.0	2.9

**SOLID MODEL AVAILABLE**

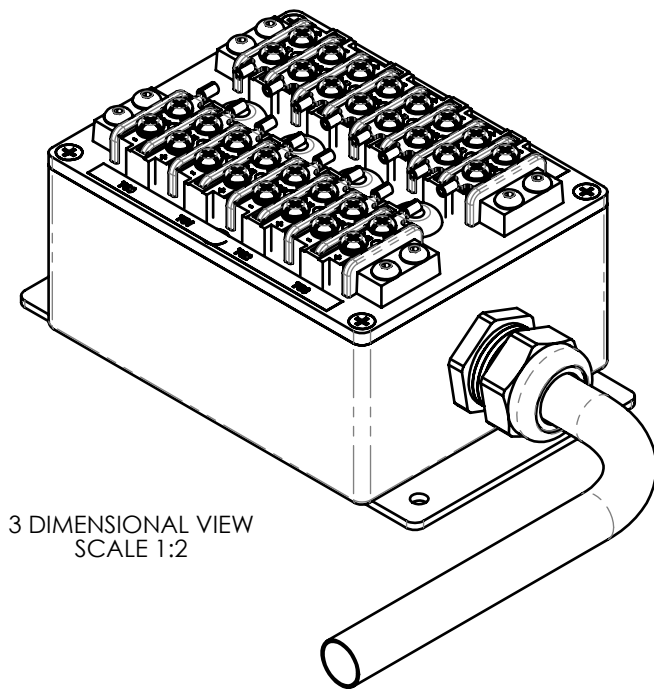
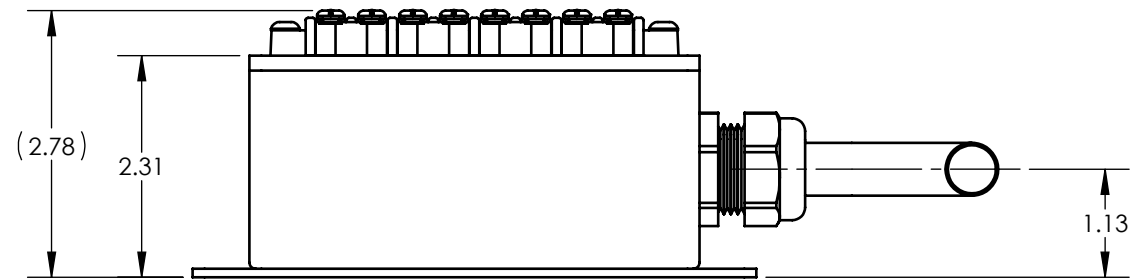
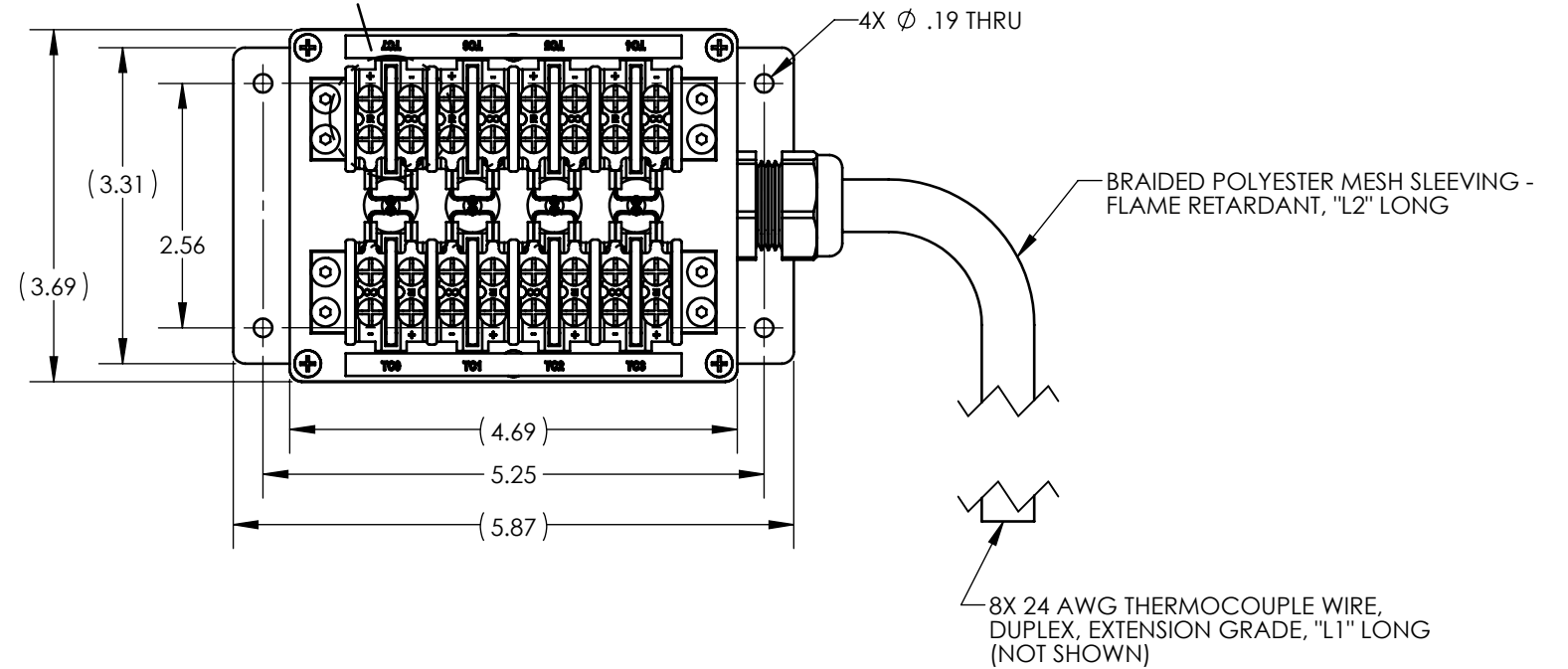
ORDERING INFORMATION:

TCBS-J-3	
• LENGTH OF EXTENSION WIRE (METERS):	3 = 3.0 METERS
• THERMOCOUPLE TYPE:	J = J-TYPE (-210° TO 1200°C) K = K-TYPE (-270° TO 1372°C) T = T-TYPE (-270° TO 400°C)
• THERMOCOUPLE CONNECTION BOX BARRIER STRIPS	

8X IRON TERMINALS      8X CONSTANTAN TERMINALS




DETAIL C  
SCALE 1:1



3 DIMENSIONAL VIEW  
SCALE 1:2

**INSTALLATION DRAWING**

MATERIAL:	DESIGN	AJC	11/11/14	 <b>MAGTROL INC.</b> 70 GARDENVILLE PKWY, W. BUFFALO, NEW YORK 14224-1322
FINISH:	DRAWN	AJC	11/11/14	
THIRD ANGLE PROJECTION	CHECKED	JEF	11/26/14	
THIS DRAWING AND SPECIFICATION CONTAINS PROPRIETARY INFORMATION TO MAGTROL INC. ANY DISCLOSURE OR REPRODUCTION OF THIS DOCUMENT WITHOUT WRITTEN AUTHORIZATION FROM MAGTROL INC. IS EXPRESSLY PROHIBITED				TITLE: <b>T/C BARRIER STRIP CONNECTION BOX</b>
UNLESS OTHERWISE SPECIFIED: DIMENSIONS ARE IN INCHES DIAMETERS CONCENTRIC: .003 TIR FACES PERPENDICULAR: .003 INTERPRETATION PER ASME Y14.5M-1994 REMOVE ALL BURRS AND BREAK SHARP EDGES .005/.010 X 45° INSIDE CORNERS TO BE R .02 MAX TOLERANCES: .XX ± .01      X/Y ± 1/64" .XXX ± .005      X° ± 1° SURFACE FINISH 125 RMS MAX				USED ON: - SIMILAR TO: - DWG NO: <b>TCBS</b> REV: -
SIZE <b>B</b>		SCALE <b>1:2</b>	SHEET #	