
SBB 14

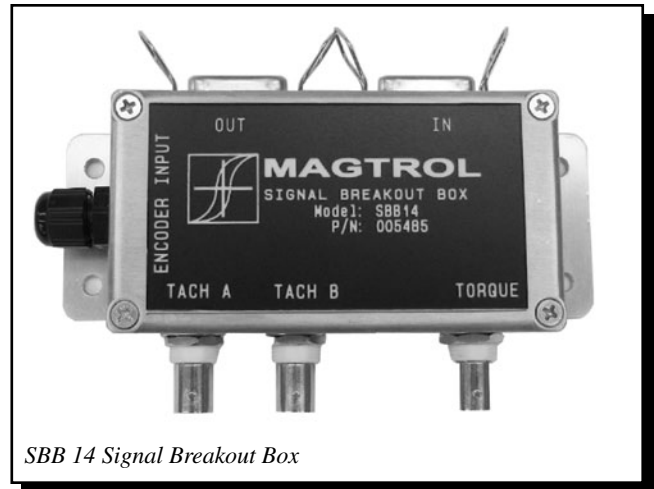
Signal Breakout Box

FEATURES

- Two 14-Pin Connectors: provide easy access to speed and torque readings from a Magtrol motor testing instrument and corresponding controller
- Three BNC Connectors: for outputting speed and torque signals to an oscilloscope or other data acquisition (DAQ) device
- Sturdy Assembly: packaged in a shielded aluminum case with metal mounting flanges
- Encoder input for high resolution encoders.
- Jumper for supplying +24 VDC regulated voltage to transducer.

DESCRIPTION

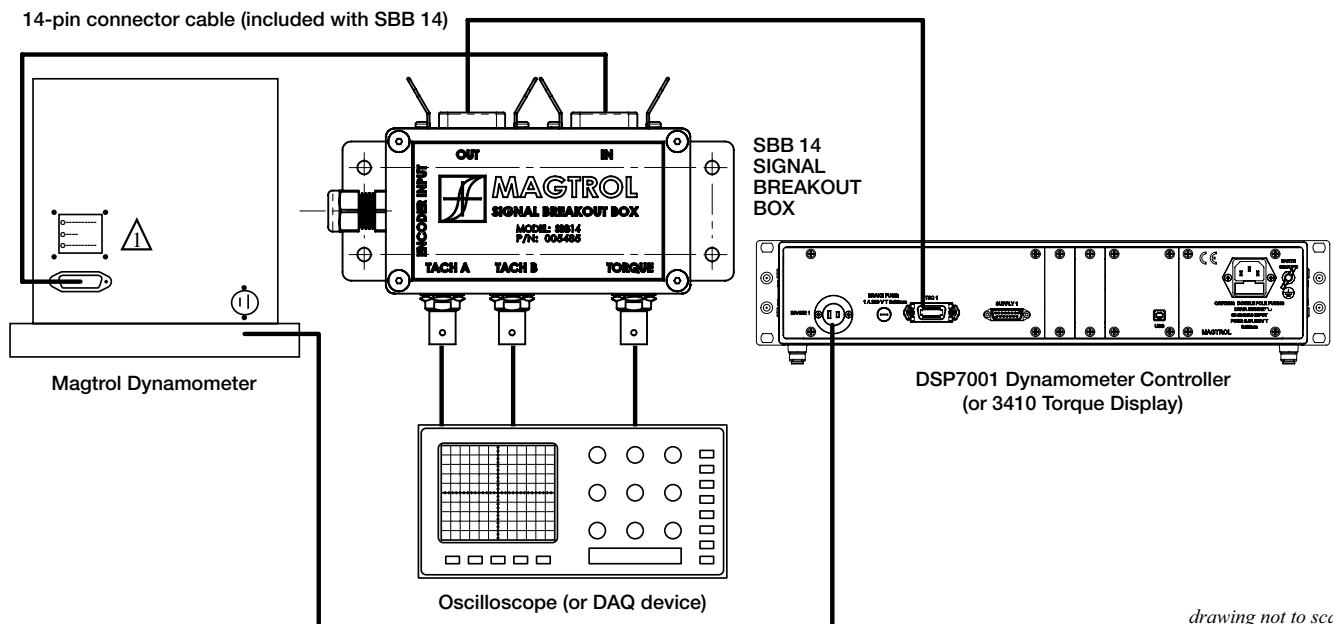
Magtrol's SBB 14 Signal Breakout Box is designed to assist in the monitoring of speed and torque signals obtained from either a Magtrol DSP Controller or 3410 Torque Display. The easy-to-use SBB 14 is simply inserted in series between the controller and any Magtrol Dynamometer or Torque Transducer. Connections are made via 14-pin signal cables.



SBB 14 Signal Breakout Box

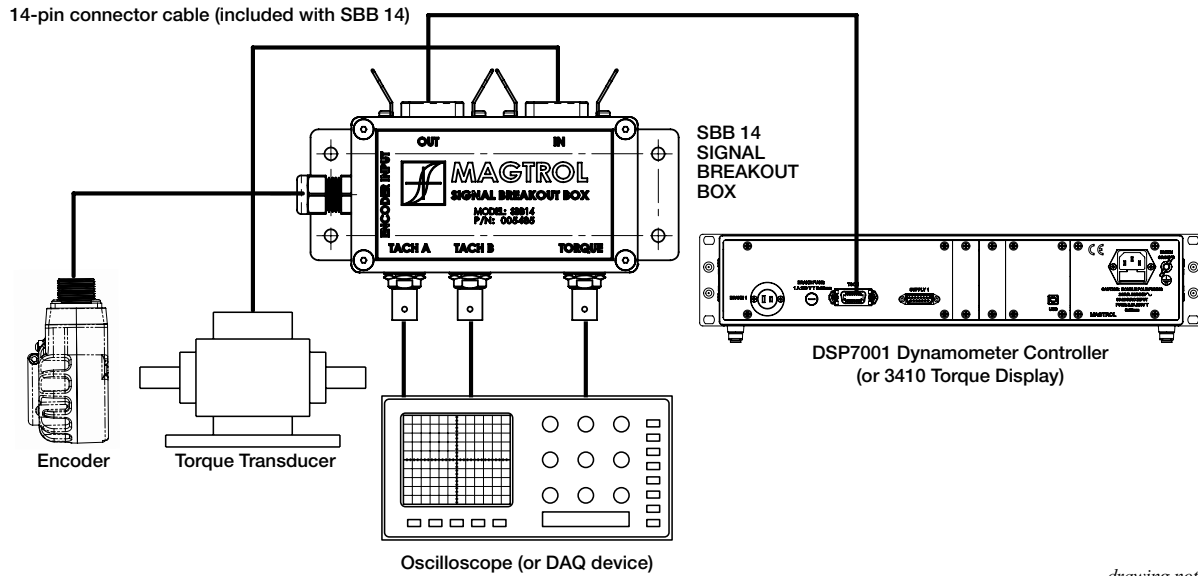
Speed and torque signals are then outputted through BNC connectors to an oscilloscope or other DAQ instrumentation. The SBB 14 Signal Breakout Box is a convenient and reliable accessory that reduces the necessary wiring required for signal monitoring.

SYSTEM CONFIGURATION

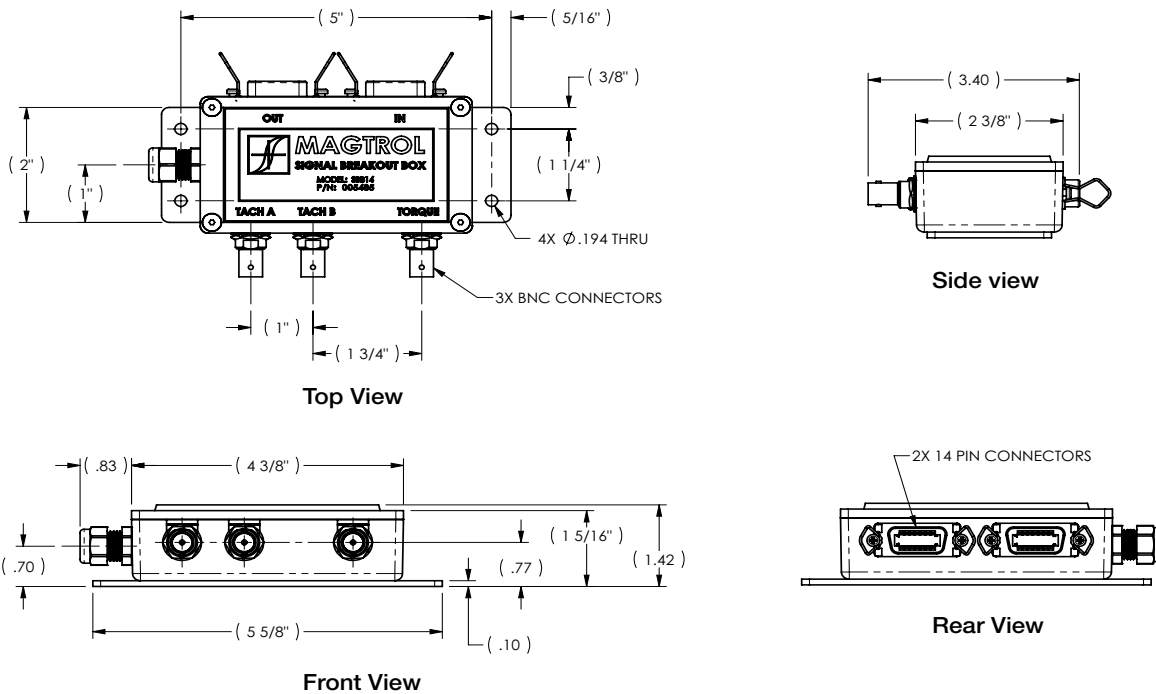


drawing not to scale

SYSTEM CONFIGURATION



DIMENSIONS



ORDERING INFORMATION

The SBB 14 Signal Breakout Box is supplied with a 14-pin, 2.5 ft dynamometer/transducer patch cable.

OPTIONAL MOUNTING PLATE

DESCRIPTION	PART NUMBER
Baseplate for 8 mm t-slot width (used on pt material)	006925
Baseplate for 10 mm t-slot width (used on 700 Series Dynamometers)	007100
Baseplate for 12 mm t-slot width (used on 800 Series Dynamometers)	007101

Due to the continual development of our products, we reserve the right to modify specifications without forewarning.

www.magtrol.com**MAGTROL INC**

70 Gardenville Parkway
Buffalo, New York 14224 USA
Phone: +1 716 668 5555
Fax: +1 716 668 8705
E-mail: magtrol@magtrol.com

MAGTROL SA

Route de Montena 77
1728 Rossens/Fribourg, Switzerland
Phone: +41 (0)26 407 3000
Fax: +41 (0)26 407 3001
E-mail: magtrol@magtrol.ch

Subsidiaries in:

Germany • France
China • India
Worldwide Network
of Sales Agents

