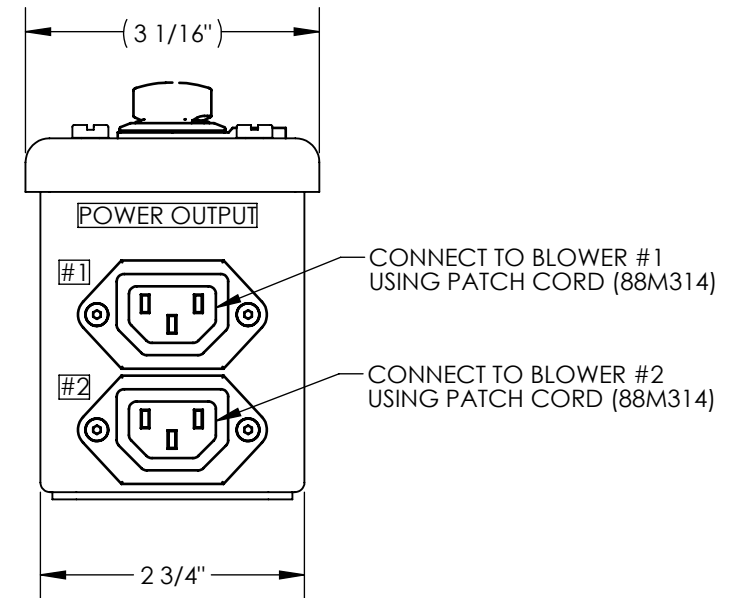
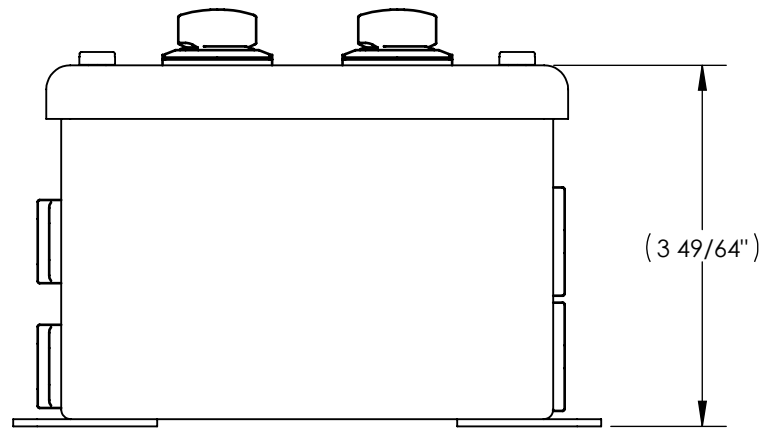
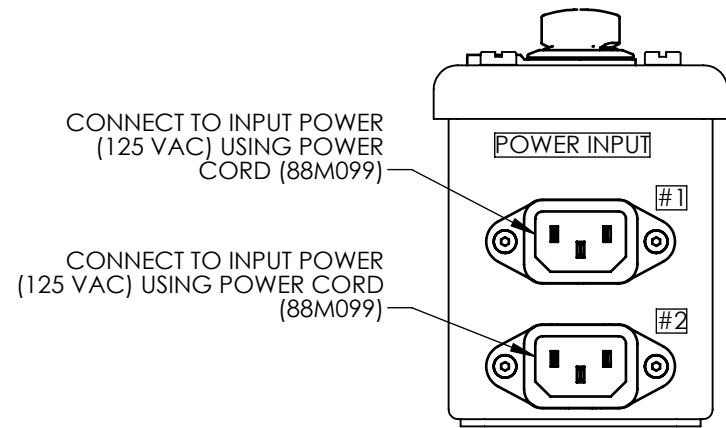
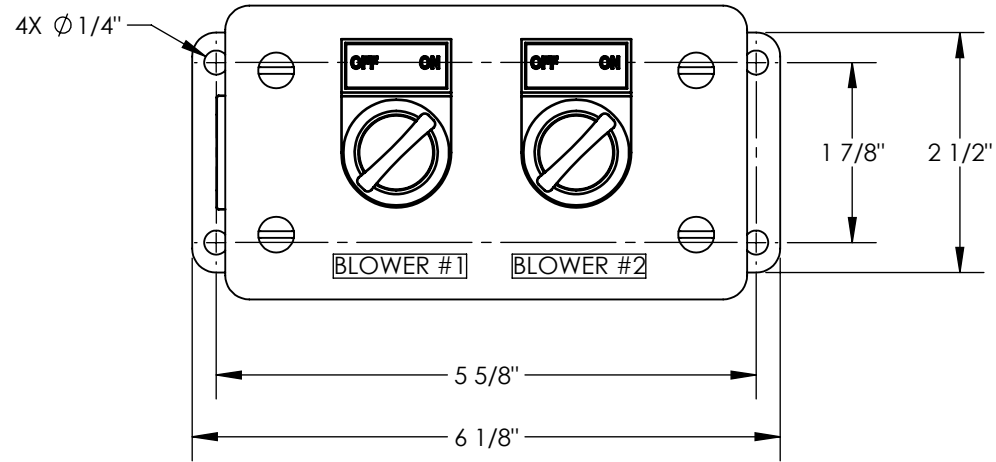

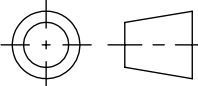


MOUNTING PLATE AND HARDWARE FOR MAGTROL TAB SERIES TABLES



INSTALLATION DRAWING

| | | | | |
|---|--|-----|----------|--|
| MATERIAL: - | DESIGN | TRW | 07/17/13 |  MAGTROL INC. 70 GARDENVILLE PKWY, W. BUFFALO, NEW YORK 14224-1322 |
| | DRAWN | AJC | 07/17/13 | |
| FINISH: - | CHECKED | JEF | 07/18/13 | TITLE: REMOTE SWITCH BOX, BLOWERS |
| | THIRD ANGLE PROJECTION  | | | UNLESS OTHERWISE SPECIFIED: DIMENSIONS ARE IN INCHES DIAMETERS CONCENTRIC: .003 TIR FACES PERPENDICULAR: .003 INTERPRETATION PER ASME Y14.5M-1994 REMOVE ALL BURRS AND BREAK SHARP EDGES .005/.010 X 45° INSIDE CORNERS TO BE R .02 MAX TOLERANCES: .XX ± .01 X/Y ± 1/64" .XXX ± .005 X° ± 1° SURFACE FINISH 125 RMS MAX |
| THIS DRAWING AND SPECIFICATION CONTAINS PROPRIETARY INFORMATION TO MAGTROL INC. ANY DISCLOSURE OR REPRODUCTION OF THIS DOCUMENT WITHOUT WRITTEN AUTHORIZATION FROM MAGTROL INC. IS EXPRESSLY PROHIBITED | | | | USED ON: - SIMILAR TO: - DWG NO: RSB-2 SCALE: 1:2 SHEET # |
| | | | | REV C |