

KG-06 SERIES

EXTENSOMETER

FEATURES

- Transducer with Strain Gauge technology
- Impedance 1000Ω
- Temperature-Compensated
- Protection Class IP65
- Compact Dimensions (6.5mm height)
- Robust Design
- Very Flat Construction
- Easy mounting on machined flat surface
- Maintenance-free



Fig. 1: KG-06 | Extensometer

DESCRIPTION

The Magtrol KG-06 Extensometer is designed for measuring deformations of construction or machined parts under load. Because its output signal is proportional to the applied load, it can be used as either a load cell or a force transducer.

APPLICATION

The KG-06 Extensometer is ideal for strain measuring where large transducers are not suitable. Its small dimensions and flat mounting allow for easy control of deformations on steel structures.

DIMENSIONS & MOUNTING

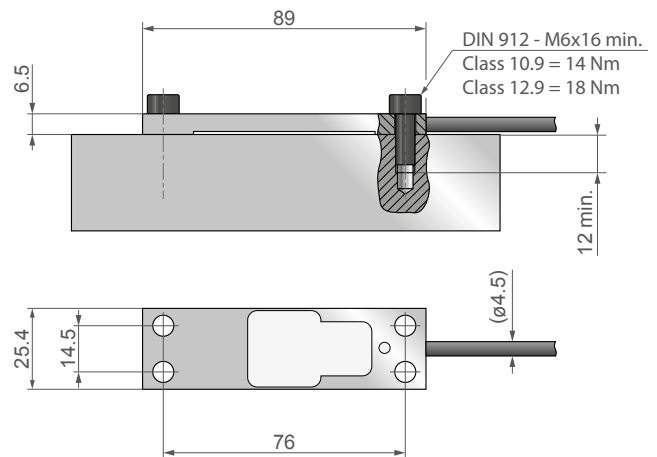
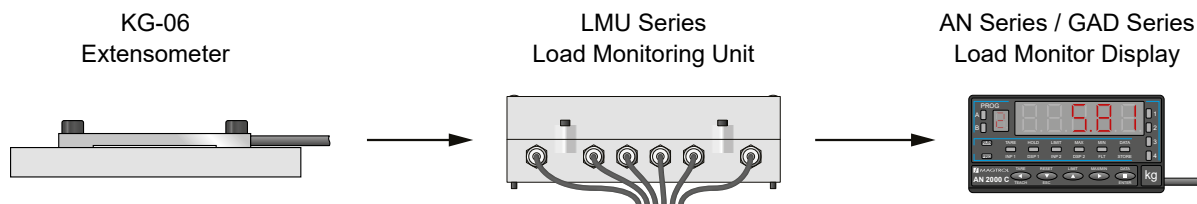


Fig. 2: Dimensions and indication about the tightening torque to be applied to the screws

SYSTEM CONFIGURATION



SPECIFICATIONS

MEASUREMENT	
Nominal Traction & Compression Deformation (ε)	0 ... 250 μm/m
ELECTRICAL CHARACTERISTICS	
Nominal Sensitivity	+ 0.5mV/V ^{a)}
Output Impedance	1000 Ω (± 10 Ω)
MECHANICAL CHARACTERISTICS	
Maximal Usable Load	150 % of Final Value
Material	Steel
ENVIRONMENT	
Temperature Compensation	For steel with $\alpha = 12 \cdot 10^{-6}$ as standard
Operating temperature	- 10 °C ... + 65 °C
Protection class	IP65
ELECTRICAL CONNECTION	
Connection cable	Shielded PVC cable; length 3m ^{b)}
Wiring diagram	<p>Shield isn't connected to the housing</p>

a) Units calibrated with tolerance of ±2% upon request

b) Other cable lengths available upon request

OPTION & ACCESSORIES
LMU SERIES - LOAD MONITORING UNITS

The Magtrol Load Monitoring Unit is specially designed for strain gauge transducer applications. Specifically developed for use with Magtrol load-force-weight sensors, the LMU Series provides excitation current and amplifies the output signal of full-bridge strain gauges.



Fig. 4: LMU 216 | Load monitoring units

AN SERIES - SIGNAL CONDITIONERS

The AN Series Load Monitor is designed to process and display signals coming from various types of transducers (weight, load, pressure, torque, etc.) that use standard strain-gauge bridges.



Fig. 5: AN 1500 M | Signal Conditioners

ORDERING INFORMATION

ORDERING NUMBER

P/N 957-51-22-8501

©2022 MAGTROL | Due to continual product development, Magtrol reserves the right to modify specifications without forewarning.

Page 2 / 2

DATASHEET

www.magtrol.com

MAGTROL INC
70 Gardenville Parkway
Buffalo NY 14224 | USA

phone +1 716 668 5555
fax +1 716 668 8705
e-mail magtrol@magtrol.com

MAGTROL SA
Route de Montena 77
1728 Rossens | Switzerland

phone +41 26 407 30 00
fax +41 26 407 30 01
e-mail magtrol@magtrol.ch

Offices in: Germany
France - China - India
Worldwide Distribution Network

ISO 9001
BUREAU VERITAS
Certification