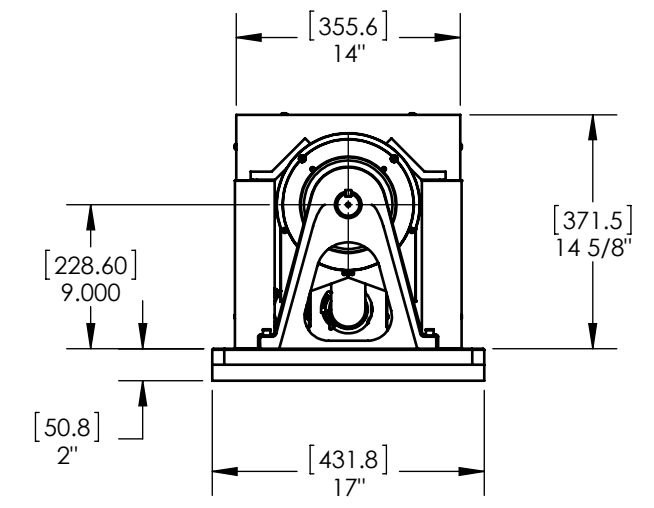
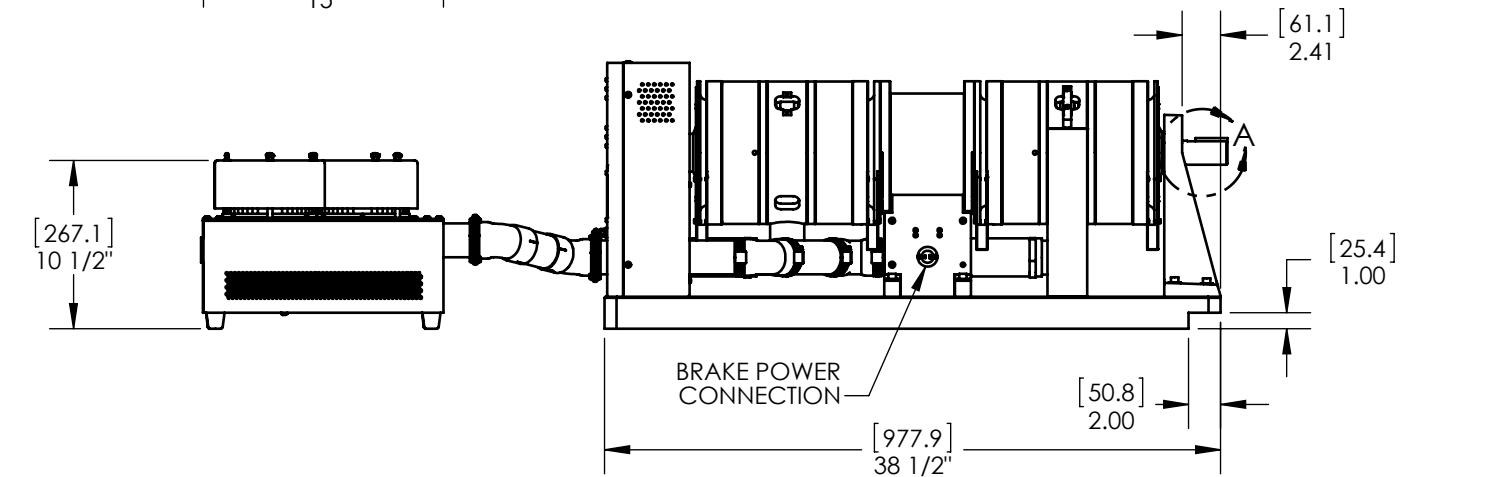
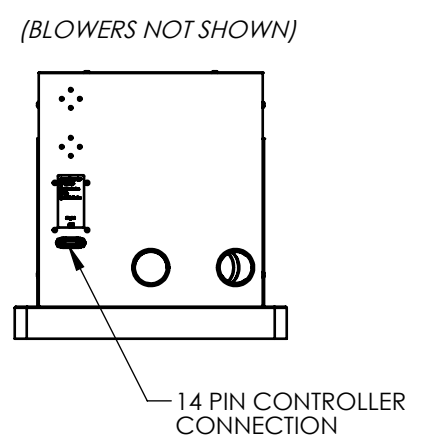
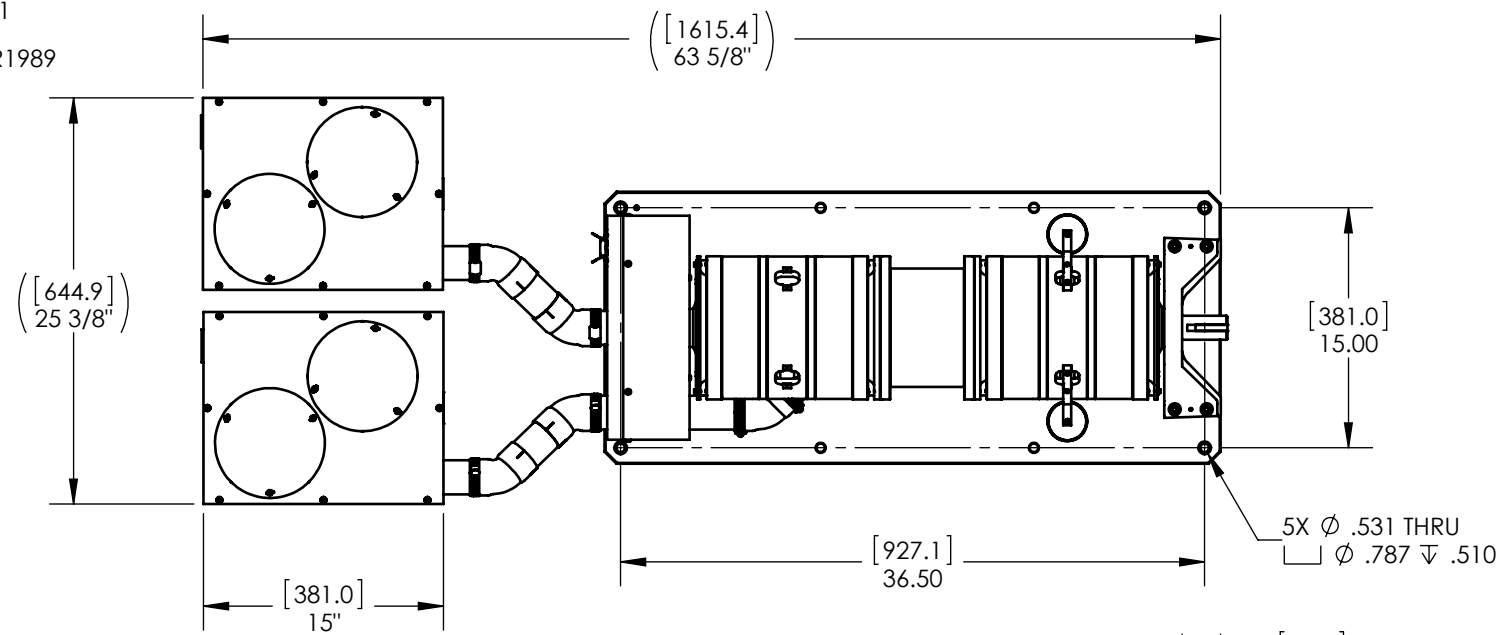
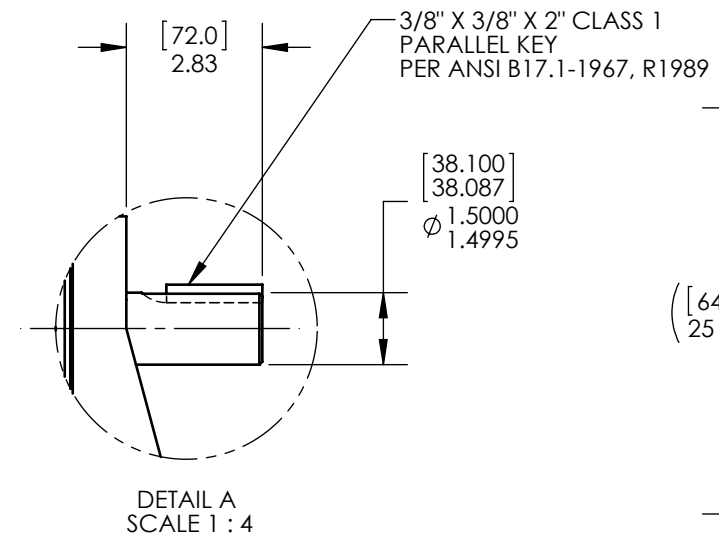
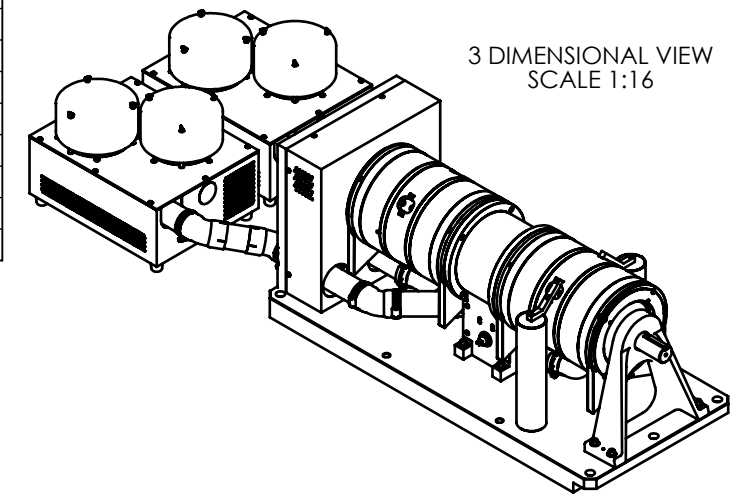


MODEL	TORQUE MEASURE UNIT CODE (-XXX)	STOCK CODE	MAXIMUM TORQUE RANGE	DRAG TORQUE DE-ENERGIZED AT 1000 RPM	NOMINAL INPUT INERTIA		MAXIMUM POWER		MAXIMUM SPEED (RPM)	COOLING	BLOWER DESCRIPTION
					(lb•ft•s ²)	(kg•m ²)	5-MINUTE (Watts)	CONTINUOUS (Watts)			
HD-825-XXX	5N	006436	56.5 N m	0.22 N m	1.85 x 10 ⁻²	2.51 x 10 ⁻²	14,000	12,000	8,000	2X BLOWER (INCLUDED)	BL-002 (120 V)
	5NA	006437									BL-002-A (240 V)
	6N	006431	500 lb in	3.5 lb in							BL-002 (120 V)
	6NA	006432									BL-002-A (240 V)
	7N	006194	565 kg cm	4.0 kg cm							BL-002 (120 V)
	7NA	006433									BL-002-A (240 V)
	8N	006196	56.5 N m	0.22 N m							BL-002 (120 V)
	8NA	006434									BL-002-A (240 V)

SOLID MODEL AVAILABLE



INSTALLATION DRAWING

NOTE: DIMENSIONS IN [] ARE mm.

MATERIAL:	-	DESIGN	-	-	MAGTROL INC. 70 GARDENVILLE PKWY, W. BUFFALO, NEW YORK 14224-1322	TITLE: HD-825 DYNAMOMETER
FINISH:	-	DRAWN	AJC	12/09/02		
THIRD ANGLE PROJECTION		CHECKED	DTW	12/09/02	UNLESS OTHERWISE SPECIFIED: DIMENSIONS ARE IN INCHES DIAMETERS CONCENTRIC: .003 TIR FACES PERPENDICULAR: .003 INTERPRETATION PER ASME Y14.5M-1994 REMOVE ALL BURRS AND BREAK SHARP EDGES .005/.010 X 45° INSIDE CORNERS TO BE R .02 MAX TOLERANCES: .XX ± .01 X/Y ± 1/64" .XXX ± .005 X° ± 1° SURFACE FINISH 125 RMS MAX	USED ON: - SIMILAR TO: - DWG NO:
THIS DRAWING AND SPECIFICATION CONTAINS PROPRIETARY INFORMATION TO MAGTROL INC. ANY DISCLOSURE OR REPRODUCTION OF THIS DOCUMENT WITHOUT WRITTEN AUTHORIZATION FROM MAGTROL INC. IS EXPRESSLY PROHIBITED						HD-825
		SIZE	SCALE	SHEET #		
		B	1:12			