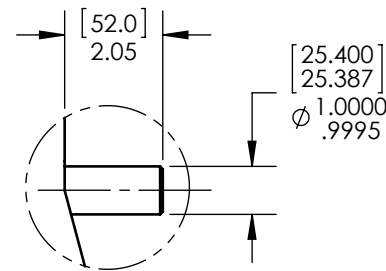
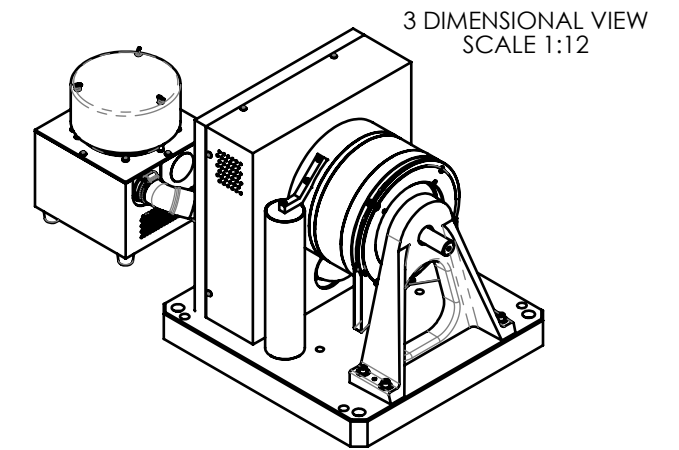
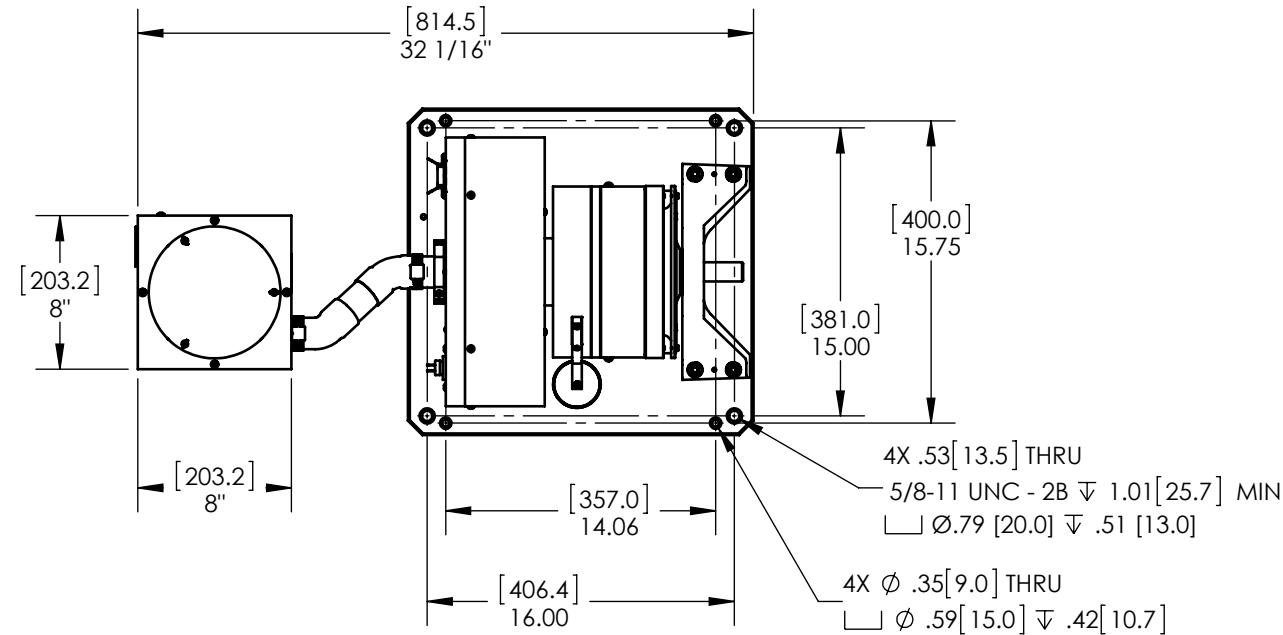


MODEL	TORQUE MEASURE UNIT CODE (-XXX)	STOCK CODE	MAXIMUM TORQUE RANGE	DRAG TORQUE DE-ENERGIZED AT 1000 RPM	NOMINAL INPUT INERTIA		MAXIMUM POWER		MAXIMUM SPEED (RPM)	COOLING
					(lb•ft•s <sup>2</sup> )	(kg•m <sup>2</sup> )	5-MINUTE (Watts)	CONTINUOUS (Watts)		
HD-810-XXX-0100	5N	006789	14.00 N m	0.10 N m	4.43 x 10 <sup>-3</sup>	6.01 x 10 <sup>-3</sup>	3,500	3,000	12,000	BLOWER
	5NA	006790								
	6N	005974	125.0 lb in	0.8 lb in						
	6NA	005976								
	7N	005978	140.0 kg cm	1.0 kg cm						
	7NA	005980								
	8N	005982	14.00 N m	0.10 N m						
	8NA	005984								

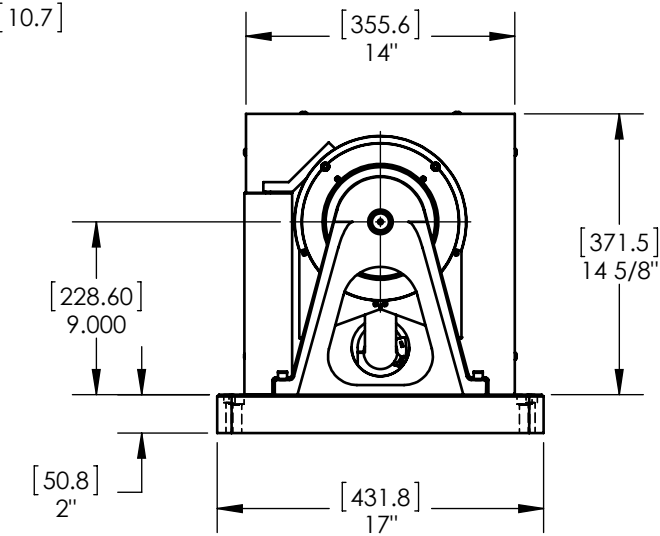
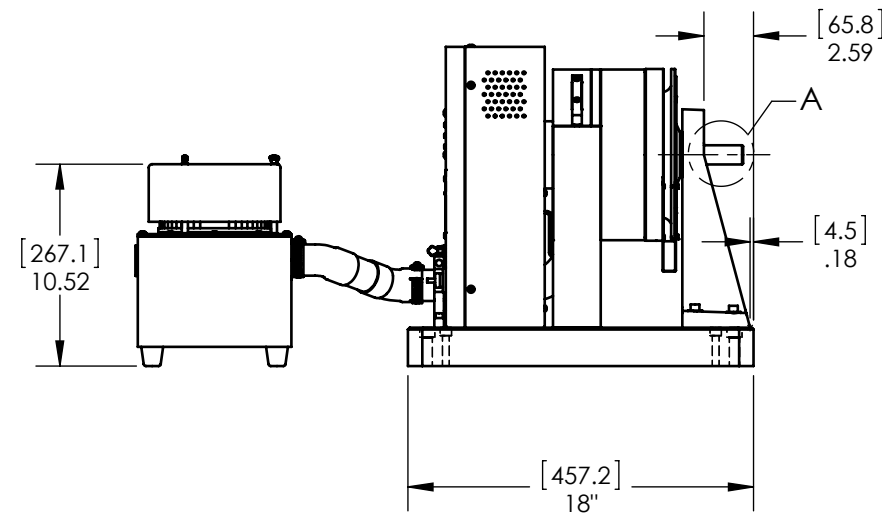
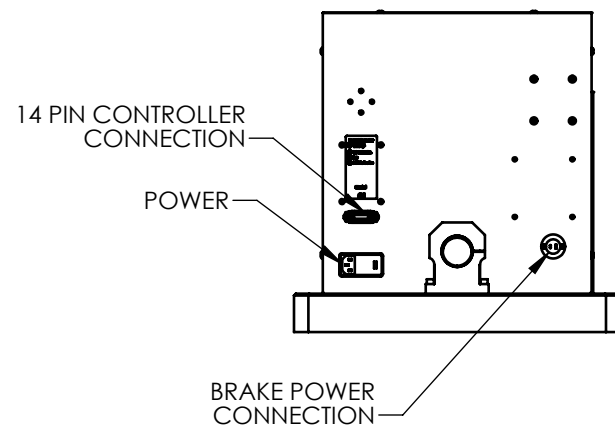
**SOLID MODEL AVAILABLE**



DETAIL A  
SCALE 1 : 4



(BLOWER NOT SHOWN)



**INSTALLATION DRAWING**

NOTE: DIMENSIONS IN [ ] ARE mm.

MATERIAL:	DESIGN			<b>MAGTROL INC.</b>	
	DRAWN	JEF		05/21/12	70 GARDENVILLE PKWY, W. BUFFALO, NEW YORK 14224-1322
FINISH:	CHECKED	AJC	05/30/12	TITLE:	
	THIRD ANGLE PROJECTION			UNLESS OTHERWISE SPECIFIED: DIMENSIONS ARE IN INCHES DIAMETERS CONCENTRIC: .003 TIR FACES PERPENDICULAR: .003 INTERPRETATION PER ASME Y14.5M-1994 REMOVE ALL BURRS AND BREAK SHARP EDGES .005/.010 X 45° INSIDE CORNERS TO BE R .02 MAX TOLERANCES: .XX ± .01 X/Y ± 1/64" .XXX ± .005 X° ± 1° SURFACE FINISH 125 RMS MAX	
THIS DRAWING AND SPECIFICATION CONTAINS PROPRIETARY INFORMATION TO MAGTROL INC. ANY DISCLOSURE OR REPRODUCTION OF THIS DOCUMENT WITHOUT WRITTEN AUTHORIZATION FROM MAGTROL INC. IS EXPRESSLY PROHIBITED				TITLE:	
				HD-810 SHORT BASE DYNAMOMETER	
				USED ON: -	REV
				SIMILAR TO: -	A
				DWG NO:	HD-810-0100
				SIZE	B
				SCALE	1:10
				SHEET #	