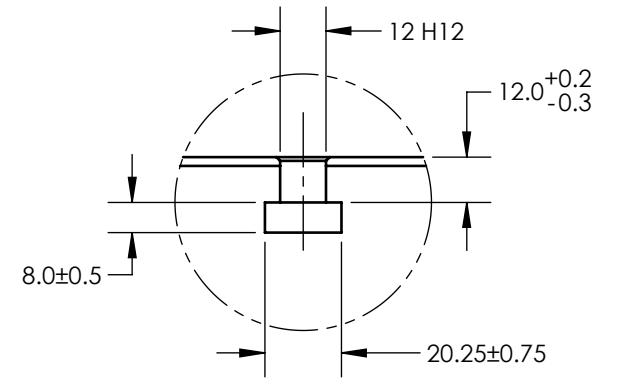


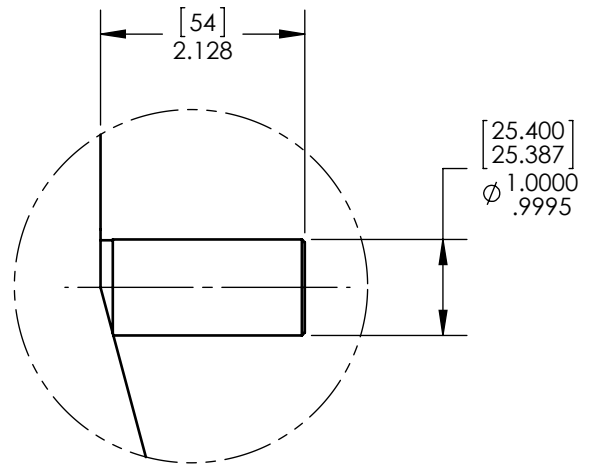
MODEL	TORQUE MEASURE UNIT CODE (-XXX)	STOCK CODE	MAXIMUM TORQUE RANGE	DRAG TORQUE DE-ENERGIZED AT 1000 RPM	NOMINAL INPUT INERTIA		MAXIMUM POWER		MAXIMUM SPEED (RPM)	COOLING
					(lb•ft•s ²)	(kg•m ²)	5-MINUTE (Watts)	CONTINUOUS (Watts)		
HD-805-XXX	5N	007223	28.00 N m	0.14 N m	8.81 x 10 ⁻³	1.19 x 10 ⁻²	5,300	3,000	12,000	COMPRESSED AIR* (15 CFM @ 14 PSI)
	5NA	007224								
	6N	006029	250.0 lb in	0.8 lb in						
	6NA	006030								
	7N	006031	280.0 kg cm	1.5 kg cm						
	7NA	006032								
	8N	006033	28.00 N m	0.10 N m						
	8NA	006034								

SOLID MODEL AVAILABLE

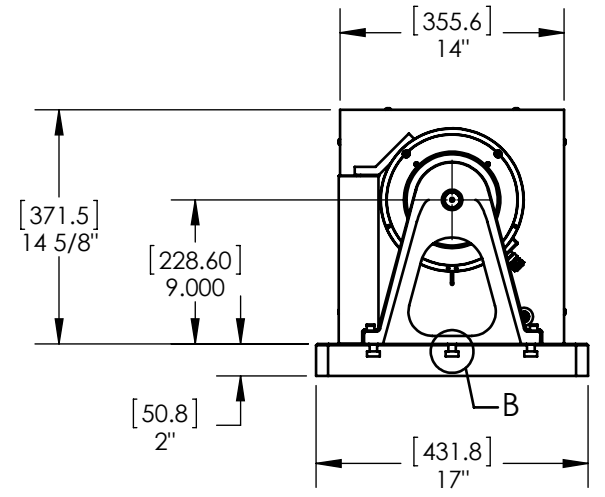
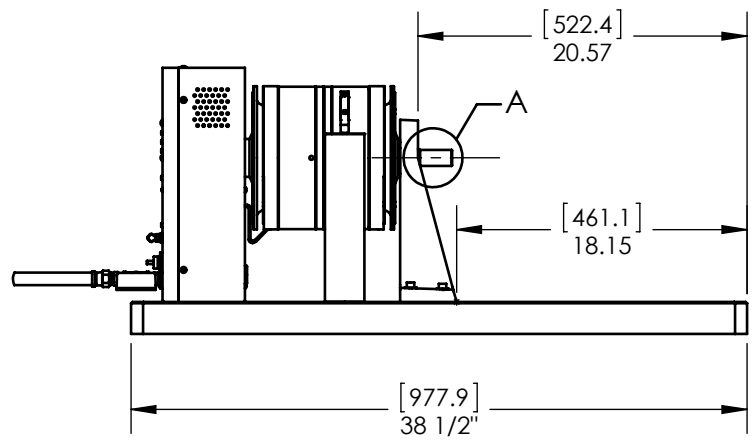
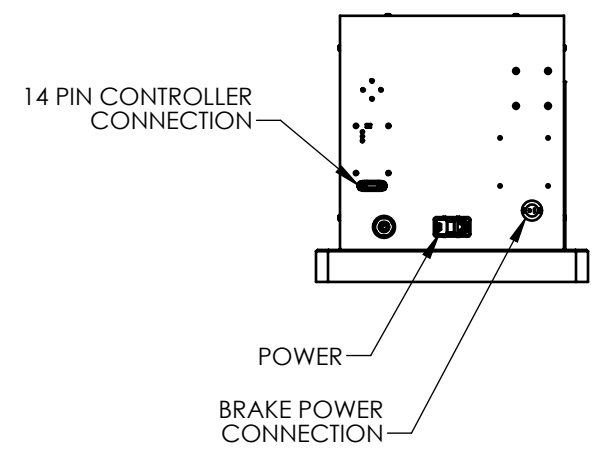
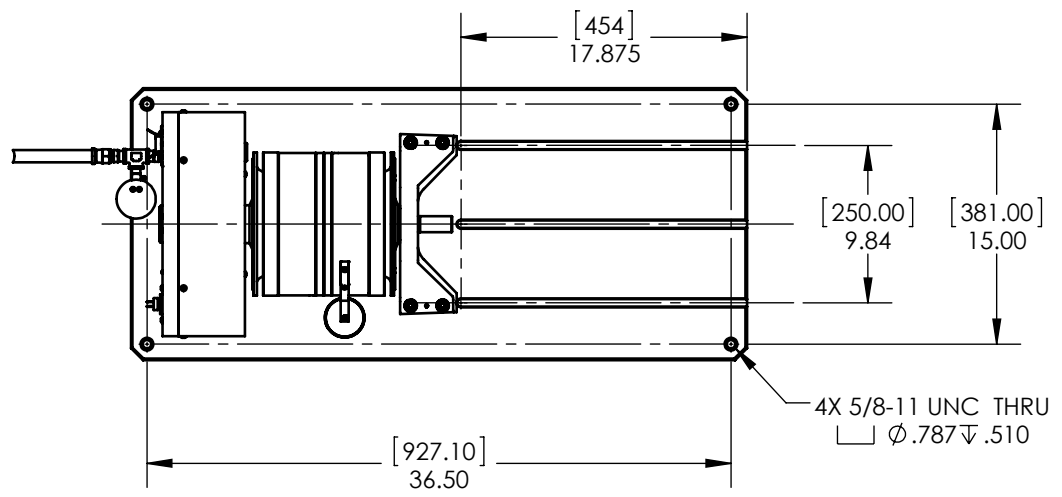


3X METRIC T-SLOT
DETAIL B
SCALE 1 : 2

* REQUIRES AIR COOLING PROVIDED BY CUSTOMER. REGULATOR AND FILTER PACKAGE IS PROVIDED AS STANDARD EQUIPMENT


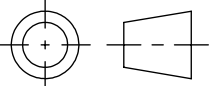


DETAIL A
SCALE 1 : 2



NOTE: DIMENSIONS IN [] ARE mm.

INSTALLATION DRAWING

MATERIAL:	-	DESIGN	-	-	 MAGTROL INC. 70 GARDENVILLE PKWY, W. BUFFALO, NEW YORK 14224-1322
FINISH:	-	DRAWN	AJC	03/12/14	
THIRD ANGLE PROJECTION		CHECKED	-	-	TITLE: HD-805-0200 DYNAMOMETER
THIS DRAWING AND SPECIFICATION CONTAINS PROPRIETARY INFORMATION TO MAGTROL INC. ANY DISCLOSURE OR REPRODUCTION OF THIS DOCUMENT WITHOUT WRITTEN AUTHORIZATION FROM MAGTROL INC. IS EXPRESSLY PROHIBITED	UNLESS OTHERWISE SPECIFIED: DIMENSIONS ARE IN MILLIMETERS DIAMETERS CONCENTRIC: .08 TIR FACES PERPENDICULAR: .08 INTERPRETATION PER ASME Y14.5M-1994 REMOVE ALL BURRS AND BREAK SHARP EDGES 0.13/0.25 X 45° INSIDE CORNERS TO BE R 0.5 MAX TOLERANCES: .X ± .25 X ± .4 .XX ± .13 X° ± 1° SURFACE FINISH 3.2 μm MAX	DWG NO:	HD-805-0200		REV B
		SIZE	SCALE	SHEET #	
		B	1:12		