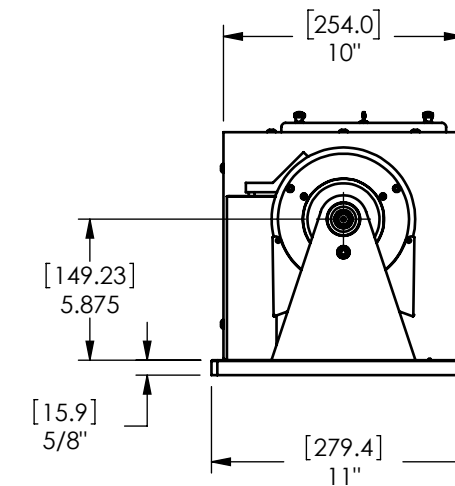
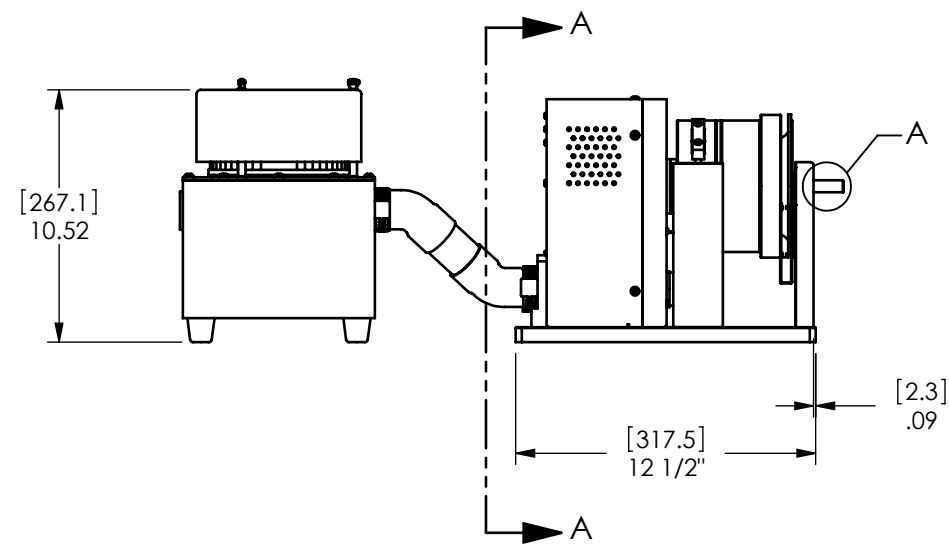
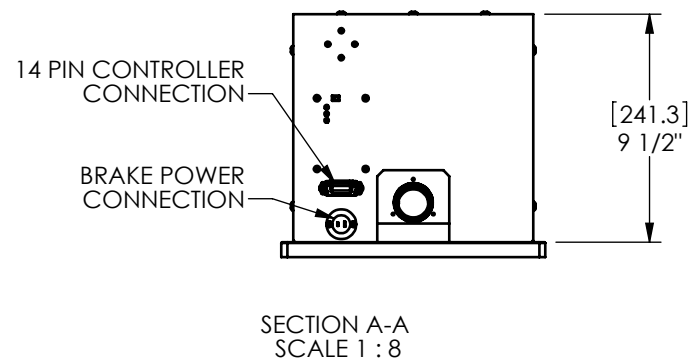
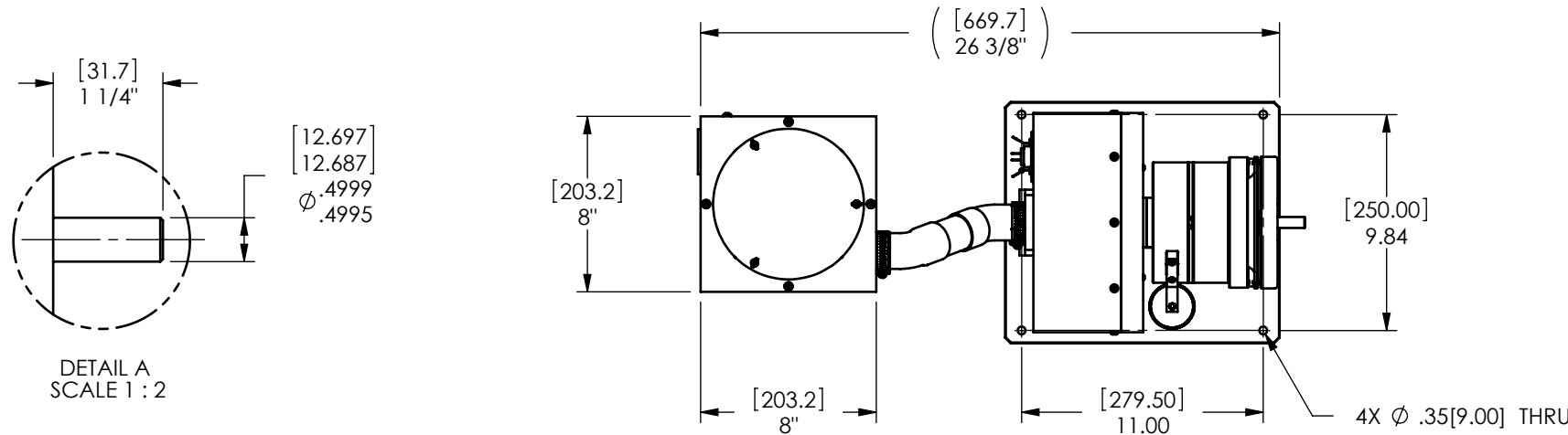
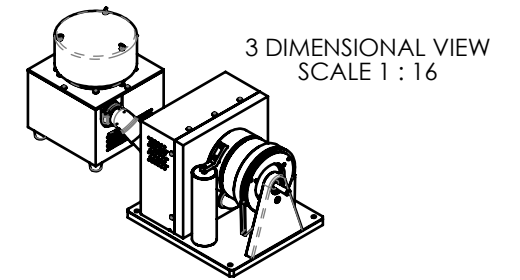


MODEL	TORQUE MEASURE UNIT CODE (-XXX)	STOCK CODE	MAXIMUM TORQUE RANGE	DRAG TORQUE DE-ENERGIZED AT 1000 RPM	NOMINAL INPUT INERTIA		MAXIMUM POWER		MAXIMUM SPEED (RPM)	COOLING METHOD	BLOWER MODEL
					(lb•ft•s <sup>2</sup> )	(kg•m <sup>2</sup> )	5-MINUTE (Watts)	CONTINUOUS (Watts)			
HD-710-XXX-0100	5N	006704	3.10 N m	0.013 N m	5.51 x 10 <sup>-4</sup>	7.47 x 10 <sup>-4</sup>	1,500	935	25,000	BLOWER	BL-001
	5NA	006705									BL-001-A
	6N	005901	440 oz in	2.0 oz in							BL-001
	6NA	005904									BL-001-A
	7N	005902	31.0 kg cm	0.14 kg cm							BL-001
	7NA	005905									BL-001-A
	8N	005903	3.10 N m	0.013 N m							BL-001
	8NA	005906									BL-001-A

**SOLID MODEL AVAILABLE**



**INSTALLATION DRAWING**

MATERIAL:	DESIGN	-	-		<b>MAGTROL INC.</b> 70 GARDENVILLE PKWY, W. BUFFALO, NEW YORK 14224-1322
	DRAWN	JEF	01/26/07		
FINISH:	CHECKED	AJC	03/04/11	TITLE: HD-710-0100 DYNAMOMETER	
THIRD ANGLE PROJECTION	UNLESS OTHERWISE SPECIFIED: DIMENSIONS ARE IN INCHES DIAMETERS CONCENTRIC: .003 TIR FACES PERPENDICULAR: .003 INTERPRETATION PER ASME Y14.5M-1994 REMOVE ALL BURRS AND BREAK SHARP EDGES .005/.010 X 45° INSIDE CORNERS TO BE R .02 MAX TOLERANCES: .XX ± .01 X/Y ± 1/64" .XXX ± .005 ANG ± 1° SURFACE FINISH 125 RMS MAX			USED ON: - SIMILAR TO: - DWG NO: HD-710-0100 REV C	
THIS DRAWING AND SPECIFICATION CONTAINS PROPRIETARY INFORMATION TO MAGTROL INC. ANY DISCLOSURE OR REPRODUCTION OF THIS DOCUMENT WITHOUT WRITTEN AUTHORIZATION FROM MAGTROL INC. IS EXPRESSLY PROHIBITED				SIZE B	SCALE 1:8

NOTE: DIMENSIONS IN [ ] ARE MILLIMETERS.