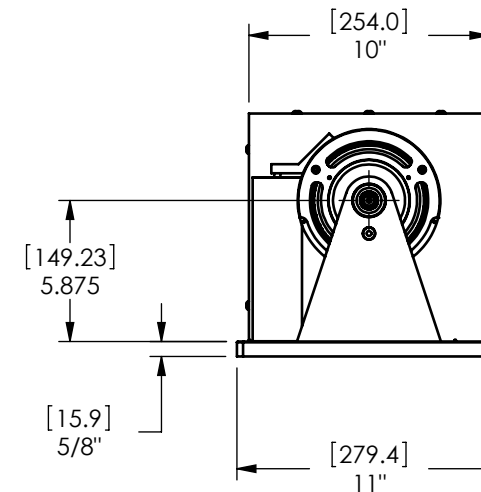
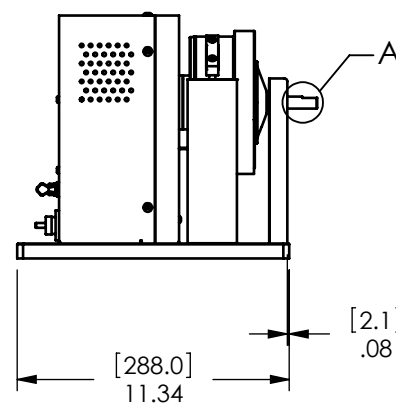
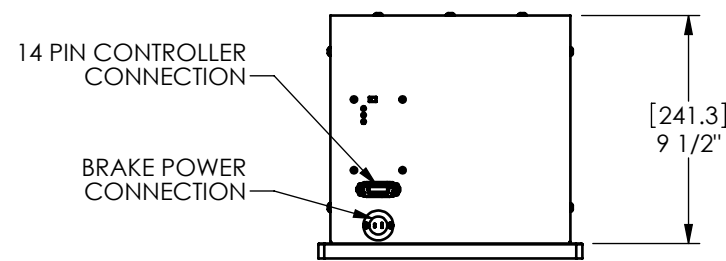
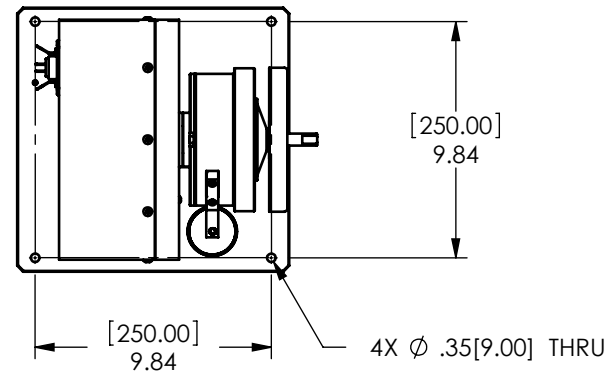
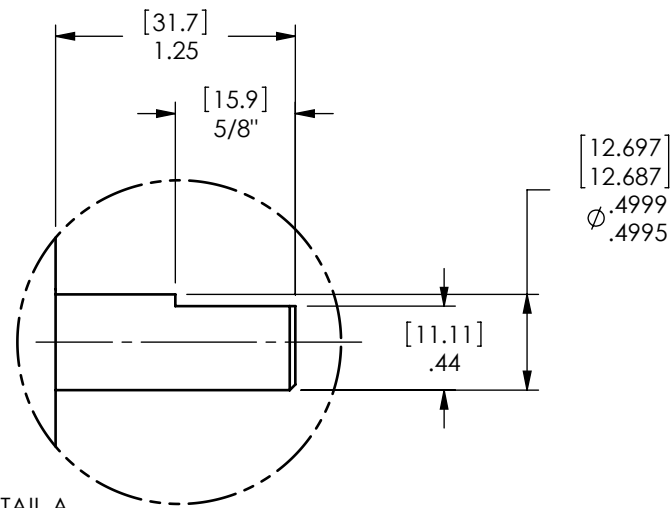
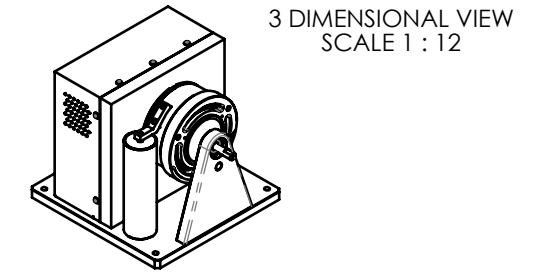

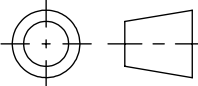


MODEL	TORQUE MEASURE UNIT CODE (-XXX)	STOCK CODE	MAXIMUM TORQUE RANGE	DRAG TORQUE DE-ENERGIZED AT 1000 RPM	NOMINAL INPUT INERTIA		MAXIMUM POWER		MAXIMUM SPEED (RPM)	COOLING METHOD
					(lb•ft•s <sup>2</sup> )	(kg•m <sup>2</sup> )	5-MINUTE (Watts)	CONTINUOUS (Watts)		
HD-700-XXX-0100	5N	006701	3.10 N m	0.013 N m	5.51 x 10 <sup>-4</sup>	7.47 x 10 <sup>-4</sup>	700	150	25,000	CONVECTION
	5NA	006702								
	6N	005926	440 oz in	2.0 oz in						
	6NA	005929								
	7N	005927	31.0 kg cm	0.14 kg cm						
	7NA	005930								
	8N	005928	3.10 N m	0.013 N m						
	8NA	005931								

**SOLID MODEL AVAILABLE**



**INSTALLATION DRAWING**

MATERIAL:	DESIGN	-	-	 <b>MAGTROL INC.</b> 70 GARDENVILLE PKWY, W. BUFFALO, NEW YORK 14224-1322
-	DRAWN	JEF	01/11/11	
FINISH:	CHECKED	AJC	02/21/11	TITLE:
-	UNLESS OTHERWISE SPECIFIED: DIMENSIONS ARE IN INCHES DIAMETERS CONCENTRIC: .003 TIR FACES PERPENDICULAR: .003 INTERPRETATION PER ASME Y14.5M-1994 REMOVE ALL BURRS AND BREAK SHARP EDGES .005/.010 X 45° INSIDE CORNERS TO BE R .02 MAX TOLERANCES: .XX ± .01 X/Y ± 1/64" .XXX ± .005 ANG ± 1° SURFACE FINISH 125 RMS MAX			HD-700-0100 DYNAMOMETER
THIRD ANGLE PROJECTION				USED ON: - SIMILAR TO: -
THIS DRAWING AND SPECIFICATION CONTAINS PROPRIETARY INFORMATION TO MAGTROL INC. ANY DISCLOSURE OR REPRODUCTION OF THIS DOCUMENT WITHOUT WRITTEN AUTHORIZATION FROM MAGTROL INC. IS EXPRESSLY PROHIBITED	DWG NO: HD-700-0100			REV B
	SIZE	SCALE		
	B	1:8		