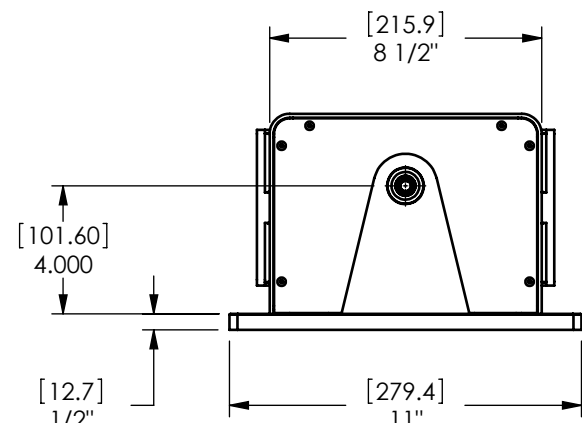
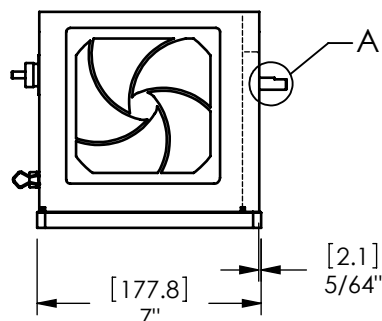
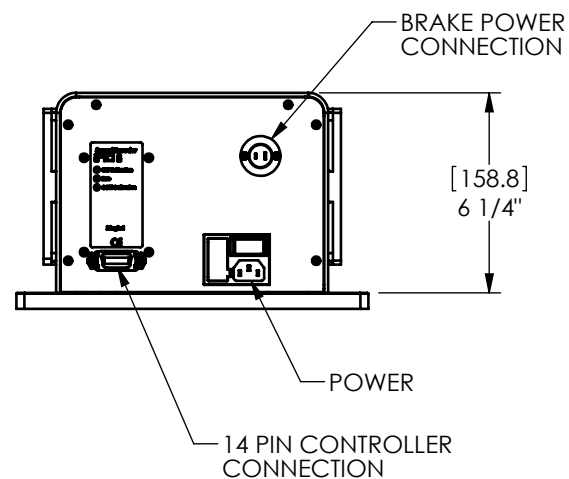
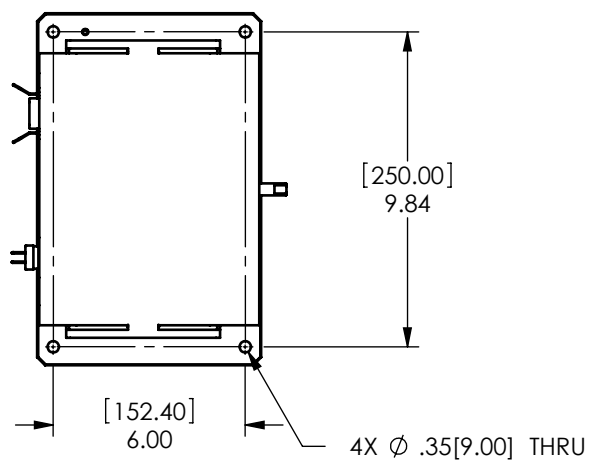
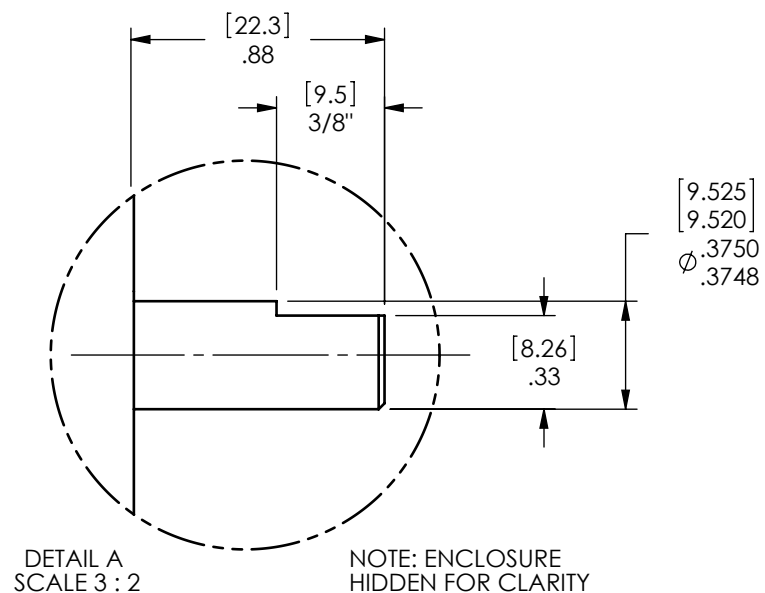
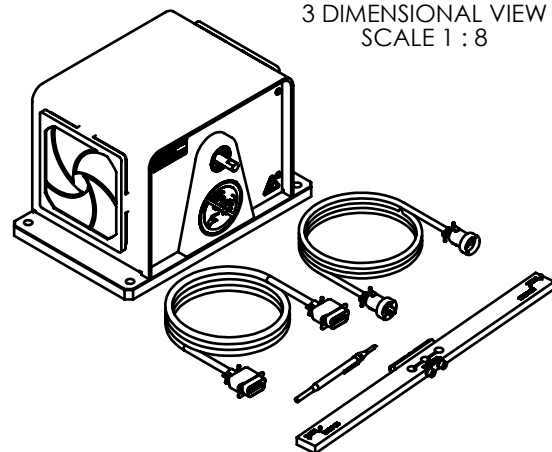


MODEL	TORQUE MEASURE UNIT CODE (-XXX)	STOCK CODE	MAXIMUM TORQUE RANGE	DRAG TORQUE DE-ENERGIZED AT 1000 RPM	NOMINAL INPUT INERTIA		MAXIMUM POWER		MAXIMUM SPEED (RPM)	COOLING	FAN DESCRIPTION
					(lb•ft•s ²)	(kg•m ²)	5-MINUTE (Watts)	CONTINUOUS (Watts)			
HD-500-XXX-0100	5N	006654	0.850 N m	5 mN m	8.05 x 10 ⁻⁵	1.09 x 10 ⁻⁴	400	80	25,000	CONVECTION	115V
	5NA	006655									220V
	6N	005585	120.0 oz in	0.5 oz in							115V
	6NA	005586									220V
	7N	005587	8.50 kg cm	0.05 kg cm							115V
	7NA	005588									220V
	8N	005589	850 mN m	5 mN m							115V
	8NA	005590									220V


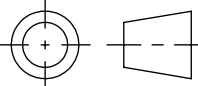
SOLID MODEL AVAILABLE

3 DIMENSIONAL VIEW
SCALE 1 : 8



NOTE: DIMENSIONS IN [] ARE MILLIMETERS.

INSTALLATION DRAWING

MATERIAL: -	DESIGN	-	-		MAGTROL INC. 70 GARDENVILLE PKWY, W. BUFFALO, NEW YORK 14224-1322	
	DRAWN	DTW	06-19-08		TITLE: HD-500-0100 DYNAMOMETER	
FINISH: -	CHECKED	AJC	09/08/10	UNLESS OTHERWISE SPECIFIED: DIMENSIONS ARE IN INCHES DIAMETERS CONCENTRIC: .003 TIR FACES PERPENDICULAR: .003 INTERPRETATION PER ASME Y14.5M-1994 REMOVE ALL BURRS AND BREAK SHARP EDGES .005/.010 X 45° INSIDE CORNERS TO BE R .02 MAX TOLERANCES: .XX ± .01 X/Y ± 1/64" .XXX ± .005 ANG ± 1° SURFACE FINISH 125 RMS MAX		USED ON: - SIMILAR TO: -
	THIRD ANGLE PROJECTION 			DWG NO: HD-500-0100		REV A
THIS DRAWING AND SPECIFICATION CONTAINS PROPRIETARY INFORMATION TO MAGTROL INC. ANY DISCLOSURE OR REPRODUCTION OF THIS DOCUMENT WITHOUT WRITTEN AUTHORIZATION FROM MAGTROL INC. IS EXPRESSLY PROHIBITED				SIZE B	SCALE 1:6	