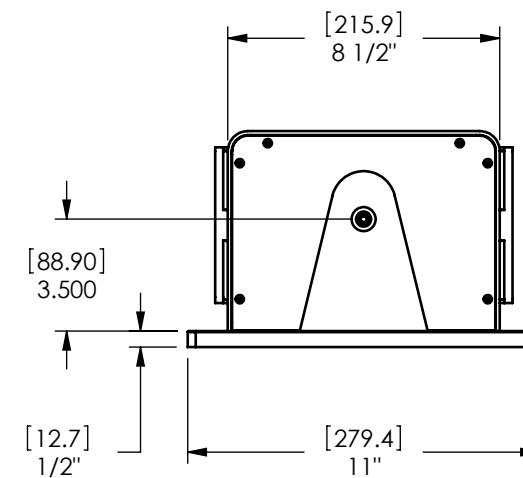
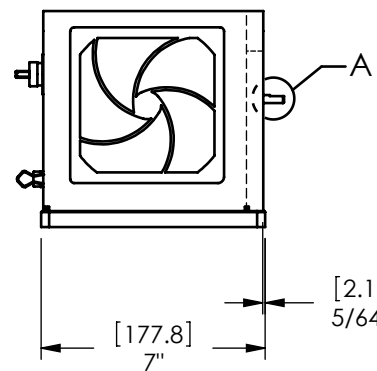
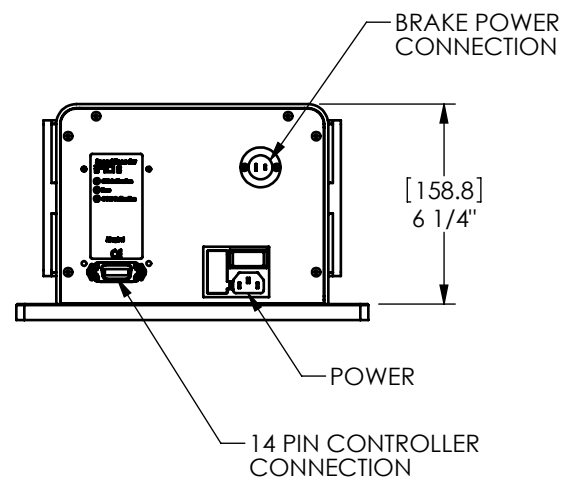
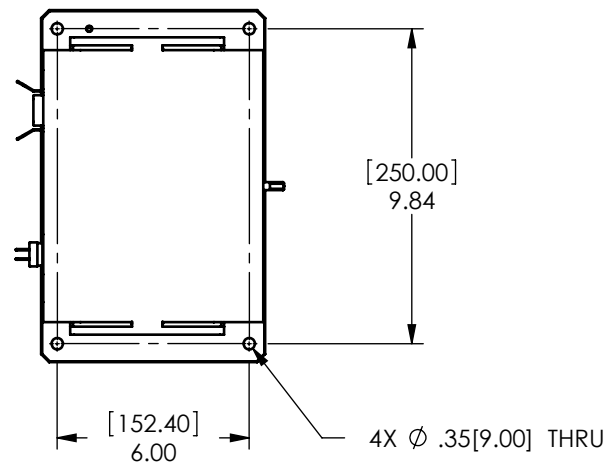
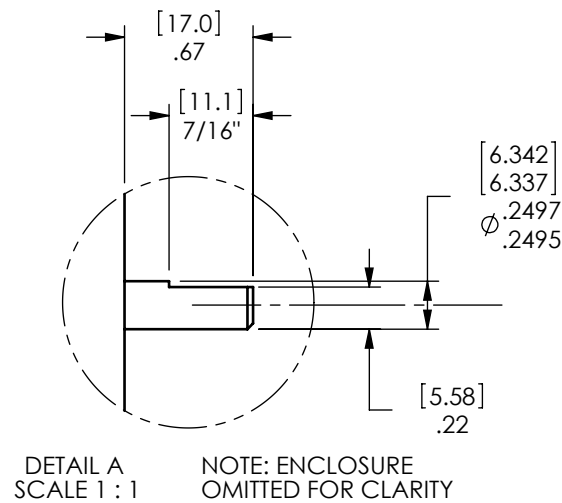
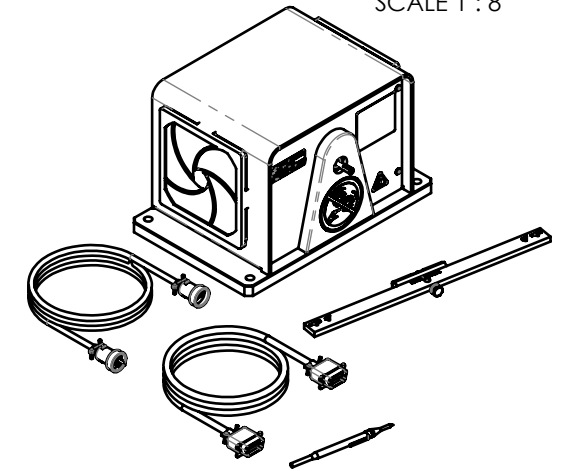


| MODEL | TORQUE MEASURE UNIT CODE (-XXX) | STOCK CODE | MAXIMUM TORQUE RANGE | DRAG TORQUE DE-ENERGIZED AT 1000 RPM | NOMINAL INPUT INERTIA | | MAXIMUM POWER | | MAXIMUM SPEED (RPM) | COOLING | FAN DESCRIPTION |
|-----------------|---------------------------------|------------|----------------------|--------------------------------------|-------------------------|-------------------------|------------------|--------------------|---------------------|------------|-----------------|
| | | | | | (lb•ft•s ²) | (kg•m ²) | 5-MINUTE (Watts) | CONTINUOUS (Watts) | | | |
| HD-400-XXX-0100 | 5N | 006421 | 0.280 N m | 2.0 mN m | 1.55 x 10 ⁻⁵ | 2.10 x 10 ⁻⁵ | 200 | 55 | 25,000 | CONVECTION | 115V |
| | 5NA | 006636 | | | | | | | | | 220V |
| | 6N | 005194 | 40.0 oz in | 0.25 oz in | | | | | | | 115V |
| | 6NA | 005300 | | | | | | | | | 220V |
| | 7N | 005301 | 2.80 kg cm | 0.02 kg cm | | | | | | | 115V |
| | 7NA | 005302 | | | | | | | | | 220V |
| | 8N | 005303 | 280 mN m | 2.0 mN m | | | | | | | 115V |
| | 8NA | 005199 | | | | | | | | | 220V |

SOLID MODEL AVAILABLE

3 DIMENSIONAL VIEW
SCALE 1 : 8



NOTE: DIMENSIONS IN [] ARE MILLIMETERS.

INSTALLATION DRAWING

| | | | | | |
|---------------------------------------------------------------------------------------------------------------------------------------------------------------------------------------------------------|------------------------|-------|----------|---------------------------------------------------------------------------------------------------------------------------------------------------------------------------------------------------------------------------------------------------------------------------------------------------------------------------------------------------------------|--------------------------------------------------------------------------------|
| MATERIAL: - | DESIGN | - | - | | MAGTROL INC. 70 GARDENVILLE PKWY, W. BUFFALO, NEW YORK 14224-1322 |
| | DRAWN | AJC | 09/28/04 | | |
| FINISH: - | CHECKED | DTW | 09/28/04 | TITLE: HD-400-0100 DYNAMOMETER | |
| | THIRD ANGLE PROJECTION | | | UNLESS OTHERWISE SPECIFIED: DIMENSIONS ARE IN INCHES DIAMETERS CONCENTRIC: .003 TIR FACES PERPENDICULAR: .003 INTERPRETATION PER ASME Y14.5M-1994 REMOVE ALL BURRS AND BREAK SHARP EDGES .005/.010 X 45° INSIDE CORNERS TO BE R .02 MAX TOLERANCES: .XX ± .01 X/Y ± 1/64" .XXX ± .005 ANG ± 1° SURFACE FINISH 125 RMS MAX | |
| THIS DRAWING AND SPECIFICATION CONTAINS PROPRIETARY INFORMATION TO MAGTROL INC. ANY DISCLOSURE OR REPRODUCTION OF THIS DOCUMENT WITHOUT WRITTEN AUTHORIZATION FROM MAGTROL INC. IS EXPRESSLY PROHIBITED | | | | DWG NO: | HD-400-0100 |
| | | | | REV | A |
| SIZE | | SCALE | | | |
| B | | 1:6 | | | |