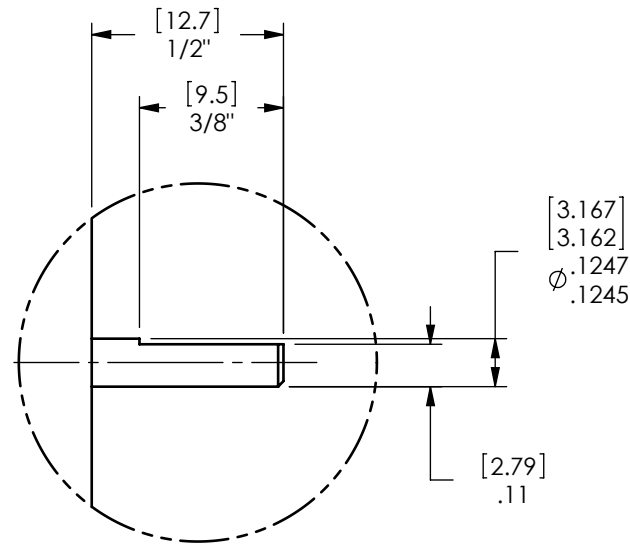
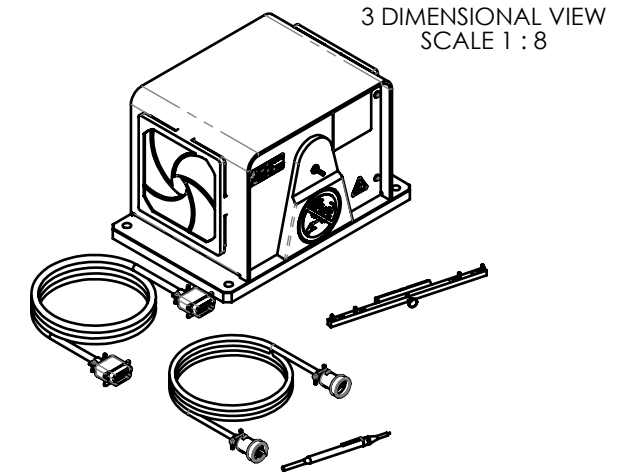
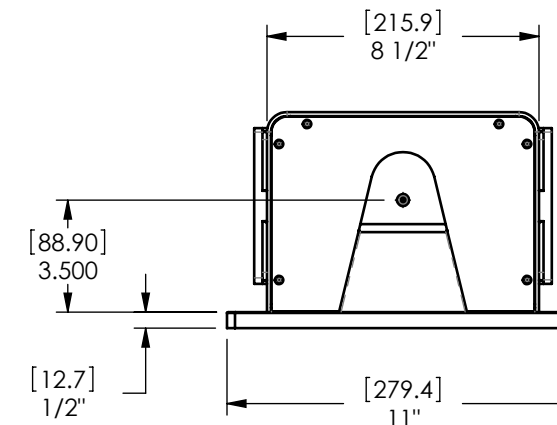
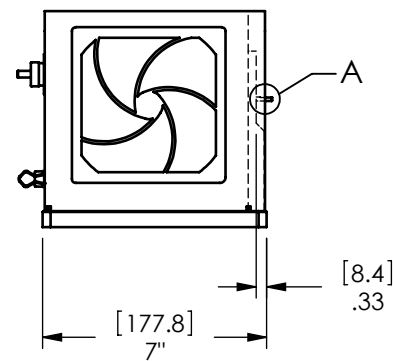
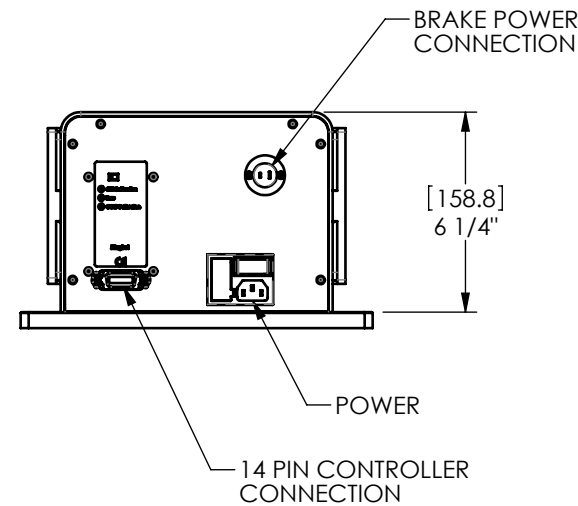
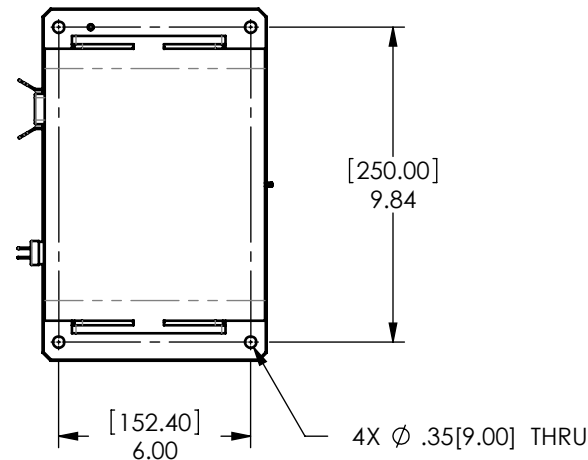


MODEL	TORQUE MEASURE UNIT CODE	STOCK CODE	MAXIMUM TORQUE RANGE	DRAG TORQUE DE-ENERGIZED AT 1000 RPM	NOMINAL INPUT INERTIA		MAXIMUM POWER		MAXIMUM SPEED (RPM)	COOLING	FAN DESCRIPTION
					(lb•ft•s ²)	(kg•m ²)	5-MINUTE (Watts)	CONTINUOUS (Watts)			
HD-106-XXX-0100	5N	006593	0.018 N m	0.056 mN m	7.04 x 10 ⁻⁷	9.54 x 10 ⁻⁷	35	7	30,000	CONVECTION	115V
	5NA	006627									220V
	6N	005372	2.50 oz in	0.008 oz in							115V
	6NA	005373									220V
	7N	005374	180.0 g cm	0.57 g cm							115V
	7NA	005375									220V
	8N	005376	18.00 mNm	0.056 mN m							115V
	8NA	005377									220V

SOLID MODEL AVAILABLE



DETAIL A SCALE 2 : 1 NOTE: ENCLOSURE HIDDEN FOR CLARITY



NOTE: DIMENSIONS IN [] ARE MILLIMETERS.

INSTALLATION DRAWING

MATERIAL: -	DESIGN	-	-		MAGTROL INC. 70 GARDENVILLE PKWY, W. BUFFALO, NEW YORK 14224-1322
	DRAWN	DTW	05/16/08		
FINISH: -	CHECKED	-	-	TITLE: HD-106-0100 DYNAMOMETER	
	THIRD ANGLE PROJECTION			UNLESS OTHERWISE SPECIFIED: DIMENSIONS ARE IN INCHES DIAMETERS CONCENTRIC: .003 TIR FACES PERPENDICULAR: .003 INTERPRETATION PER ASME Y14.5M-1994 REMOVE ALL BURRS AND BREAK SHARP EDGES .005/.010 X 45° INSIDE CORNERS TO BE R .02 MAX TOLERANCES: .XX ± .01 X/Y ± 1/64" .XXX ± .005 ANG ± 1° SURFACE FINISH 125 RMS MAX	
THIS DRAWING AND SPECIFICATION CONTAINS PROPRIETARY INFORMATION TO MAGTROL INC. ANY DISCLOSURE OR REPRODUCTION OF THIS DOCUMENT WITHOUT WRITTEN AUTHORIZATION FROM MAGTROL INC. IS EXPRESSLY PROHIBITED				DWG NO:	REV
				HD-106-0100	A
SIZE		SCALE			
B		1:6			