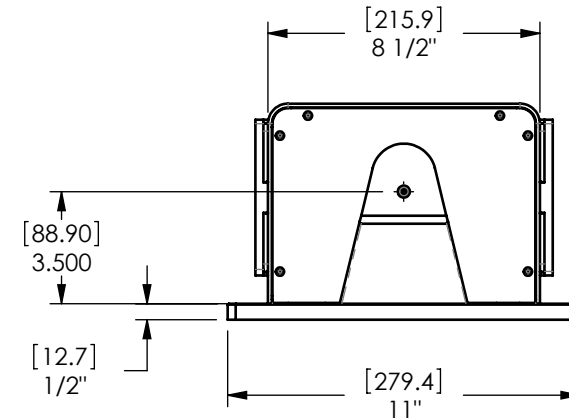
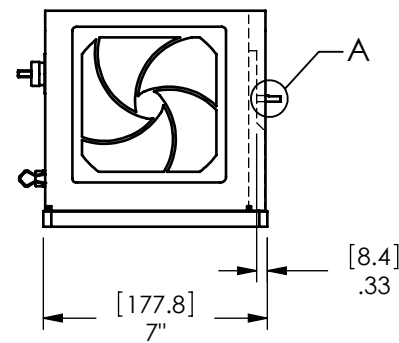
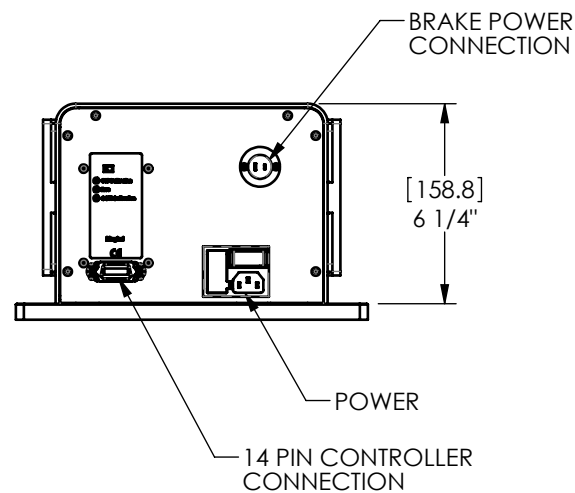
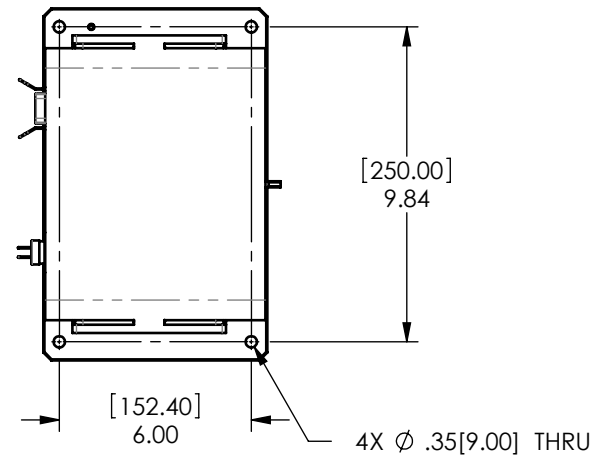
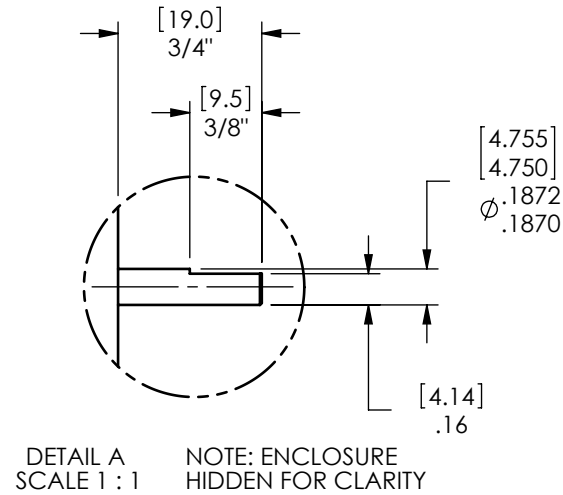
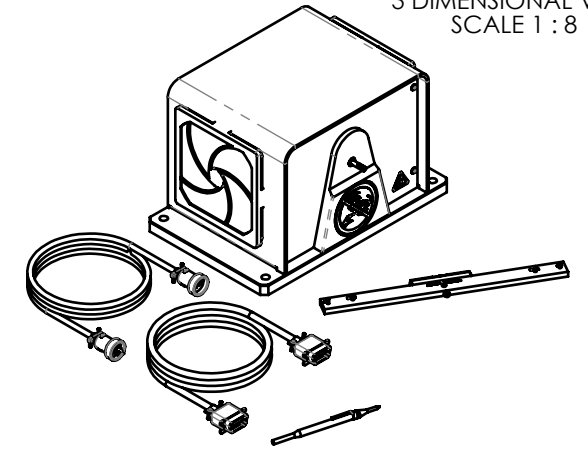


MODEL	TORQUE MEASURE UNIT CODE (-XXX)	STOCK CODE	MAXIMUM TORQUE RANGE	DRAG TORQUE DE-ENERGIZED AT 1000 RPM	NOMINAL INPUT INERTIA		MAXIMUM POWER		MAXIMUM SPEED (RPM)	COOLING	FAN DESCRIPTION
					(lb•ft•s ²)	(kg•m ²)	5-MINUTE (Watts)	CONTINUOUS (Watts)			
HD-100-XXX-0100	5N	006420	0.080 N m	0.64 mN m	3.40 x 10 ⁻⁶	4.61 x 10 ⁻⁶	75	20	25,000	CONVECTION	115V
	5NA	006631									220V
	6N	005155	11.00 oz in	0.09 oz in							115V
	6NA	005296									220V
	7N	005297	800 g cm	6.5 g cm							115V
	7NA	005298									220V
	8N	005299	80.0 mN m	0.64 mN m							115V
	8NA	005198									220V


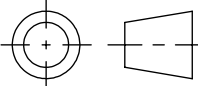
SOLID MODEL AVAILABLE

3 DIMENSIONAL VIEW
SCALE 1 : 8



NOTE: DIMENSIONS IN [] ARE MILLIMETERS.

INSTALLATION DRAWING

MATERIAL:	DESIGN	-	-	 MAGTROL INC. 70 GARDENVILLE PKWY, W. BUFFALO, NEW YORK 14224-1322
	DRAWN	DTW	05-13-08	
FINISH:	CHECKED	-	-	TITLE:
				HD-100-0100 DYNAMOMETER
THIRD ANGLE PROJECTION				USED ON: -
THIS DRAWING AND SPECIFICATION CONTAINS PROPRIETARY INFORMATION TO MAGTROL INC. ANY DISCLOSURE OR REPRODUCTION OF THIS DOCUMENT WITHOUT WRITTEN AUTHORIZATION FROM MAGTROL INC. IS EXPRESSLY PROHIBITED	UNLESS OTHERWISE SPECIFIED: DIMENSIONS ARE IN INCHES DIAMETERS CONCENTRIC: .003 TIR FACES PERPENDICULAR: .003 INTERPRETATION PER ASME Y14.5M-1994 REMOVE ALL BURRS AND BREAK SHARP EDGES .005/.010 X 45° INSIDE CORNERS TO BE R .02 MAX TOLERANCES: .XX ± .01 X/Y ± 1/64" .XXX ± .005 ANG ± 1° SURFACE FINISH 125 RMS MAX			SIMILAR TO: -
				DWG NO:
				HD-100-0100
			REV	
			A	
SIZE	SCALE			
B	1:6			