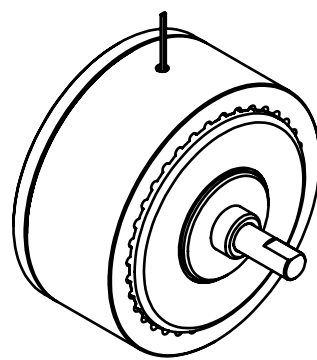
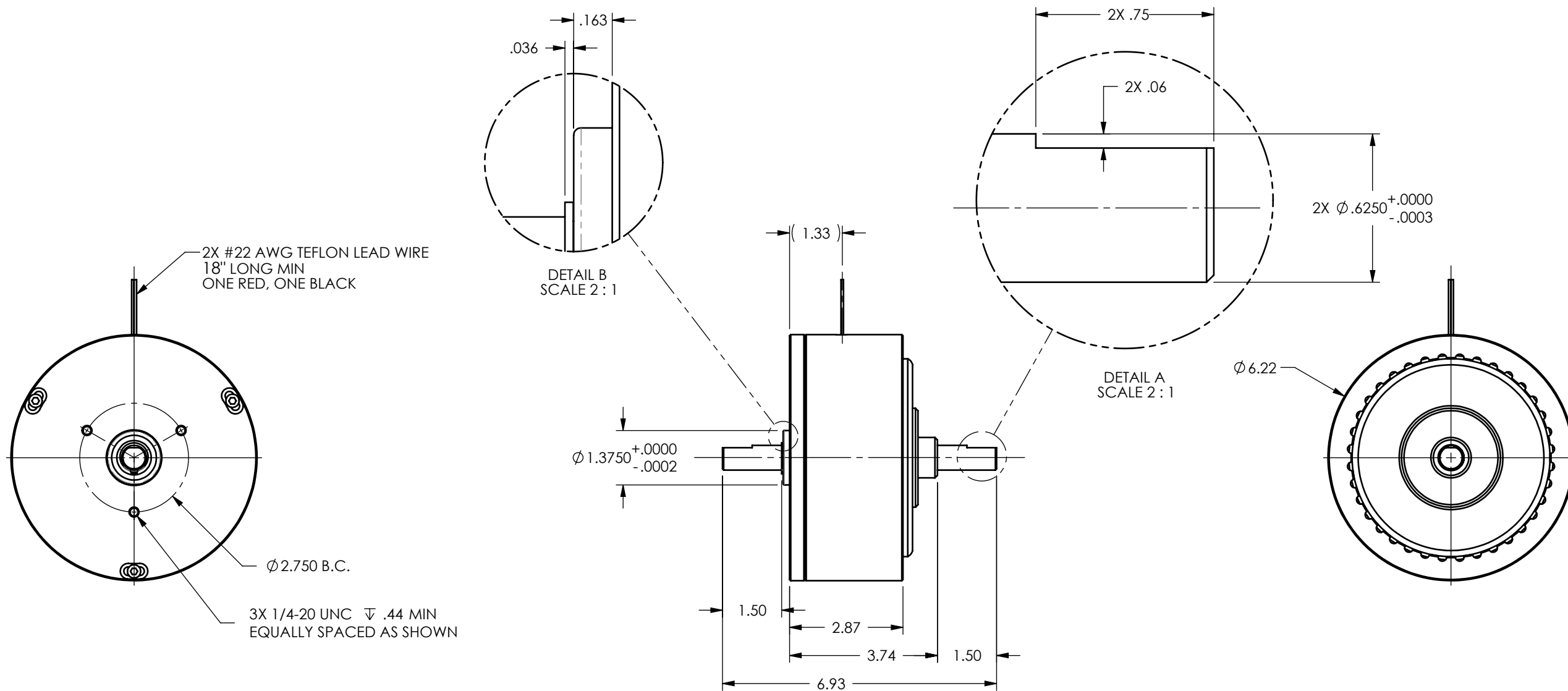



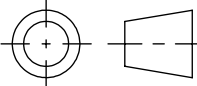
| MODEL | COIL NUMBER (-X) | STOCK CODE | MINIMUM TORQUE AT RATED CURRENT (oz in) | RATED CURRENT (mA) | RESISTANCE ±10% @ 25°C (ohms) | VOLTAGE (Vdc) | NOMINAL POWER (watts) | MAXIMUM SPEED (RPM) | KINETIC POWER RATINGS | | DE-ENERGIZED DRAG TORQUE @ 1000 RPM (oz in) | EXTERNAL INERTIA (lb in s ²) | TORQUE TO INERTIA RATIO (rad/s ²) |
|----------|------------------|------------|---|--------------------|-------------------------------|---------------|-----------------------|---------------------|-----------------------|--------------------|---|--|---|
| | | | | | | | | | 5 MINUTE (watts) | CONTINUOUS (watts) | | | |
| HB-750-X | -1 (90 Vdc) | 004629 | 750 | 107 | 845 | 90 | 9.6 | 7,000 | 1,000 | 200 | 7 | 1.013 X 10 ⁻² | 4,627 |
| | -2 (24 Vdc) | 004482 | | 383 | 60 | 23 | 8.8 | | | | | | |
| | -3 (12 Vdc) | 005460 | | 690 | 20 | 13.8 | 9.5 | | | | | | |

SOLID MODEL AVAILABLE



3 DIMENSIONAL VIEW
SCALE 1 : 3

INSTALLATION DRAWING

| | | | | | |
|---|---|---------------------|---------------|----------|--|
| MATERIAL: | - | DESIGN | - | - |  MAGTROL INC. 70 GARDENVILLE PKWY, W. BUFFALO, NEW YORK 14224-1322 |
| FINISH: | - | DRAWN | AJC | 05/09/02 | |
| THIRD ANGLE PROJECTION |  | CHECKED | DTW | 05/09/02 | TITLE: HB-750 HYSTERESIS BRAKE |
| THIS DRAWING AND SPECIFICATION CONTAINS PROPRIETARY INFORMATION TO MAGTROL INC. ANY DISCLOSURE OR REPRODUCTION OF THIS DOCUMENT WITHOUT WRITTEN AUTHORIZATION FROM MAGTROL INC. IS EXPRESSLY PROHIBITED | UNLESS OTHERWISE SPECIFIED: DIMENSIONS ARE IN INCHES DIAMETERS CONCENTRIC: .003 TIR FACES PERPENDICULAR: .003 INTERPRETATION PER ASME Y14.5M-1994 REMOVE ALL BURRS AND BREAK SHARP EDGES .005/.010 X 45° INSIDE CORNERS TO BE R .02 MAX TOLERANCES: .XX ± .01 X/Y ± 1/64" .XXX ± .005 X° ± 1° SURFACE FINISH 125 RMS MAX | DWG NO: | HB-750 | | REV C |
| | SIZE B | SCALE 1:3 | SHEET # | | |