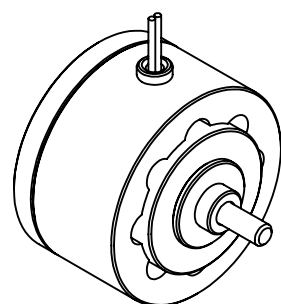
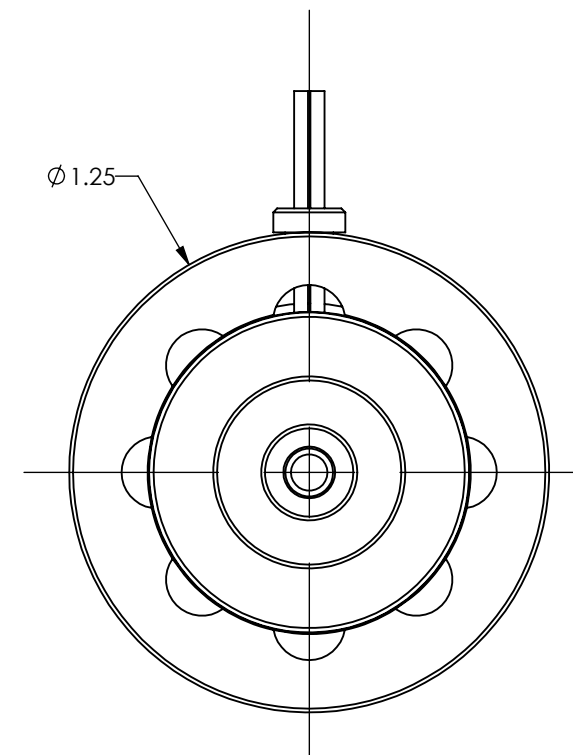
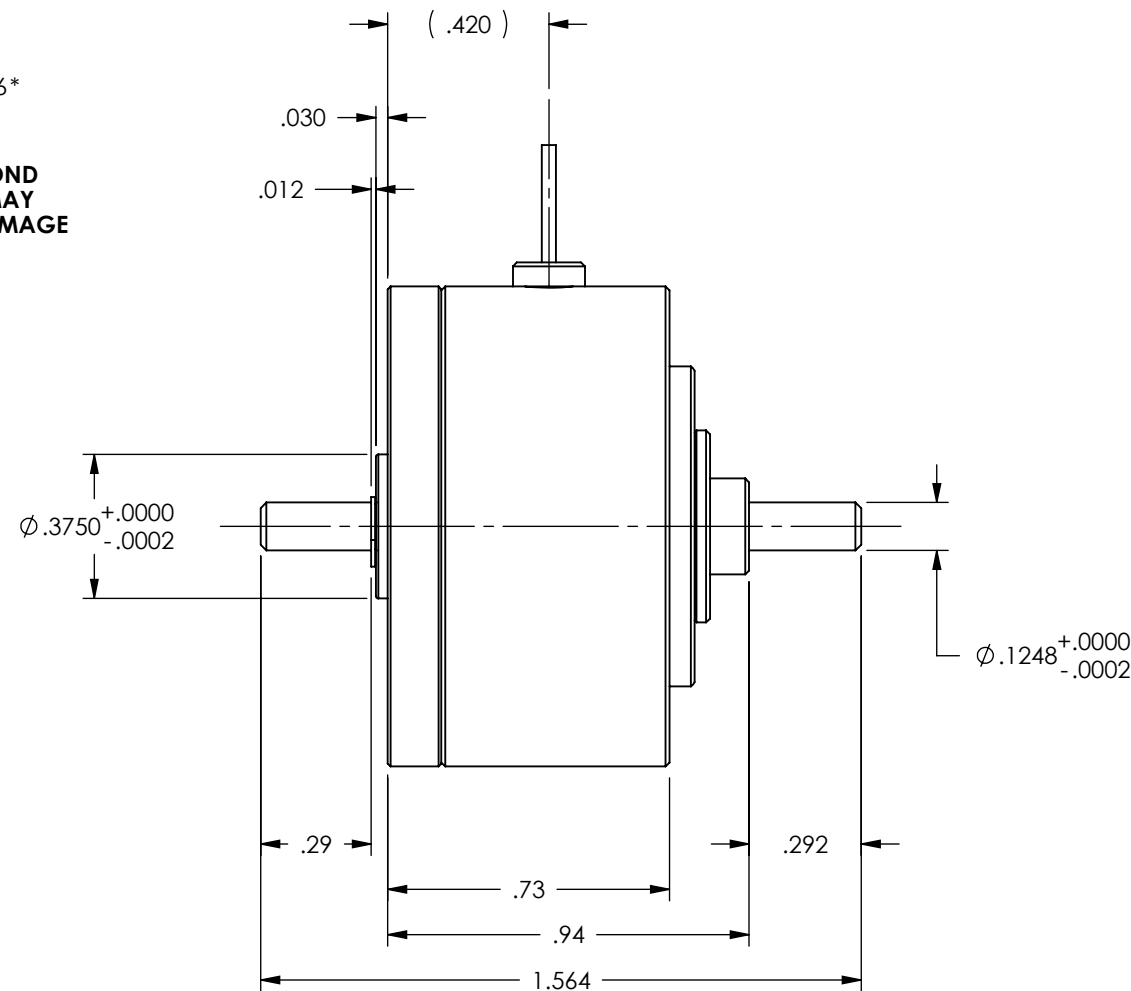
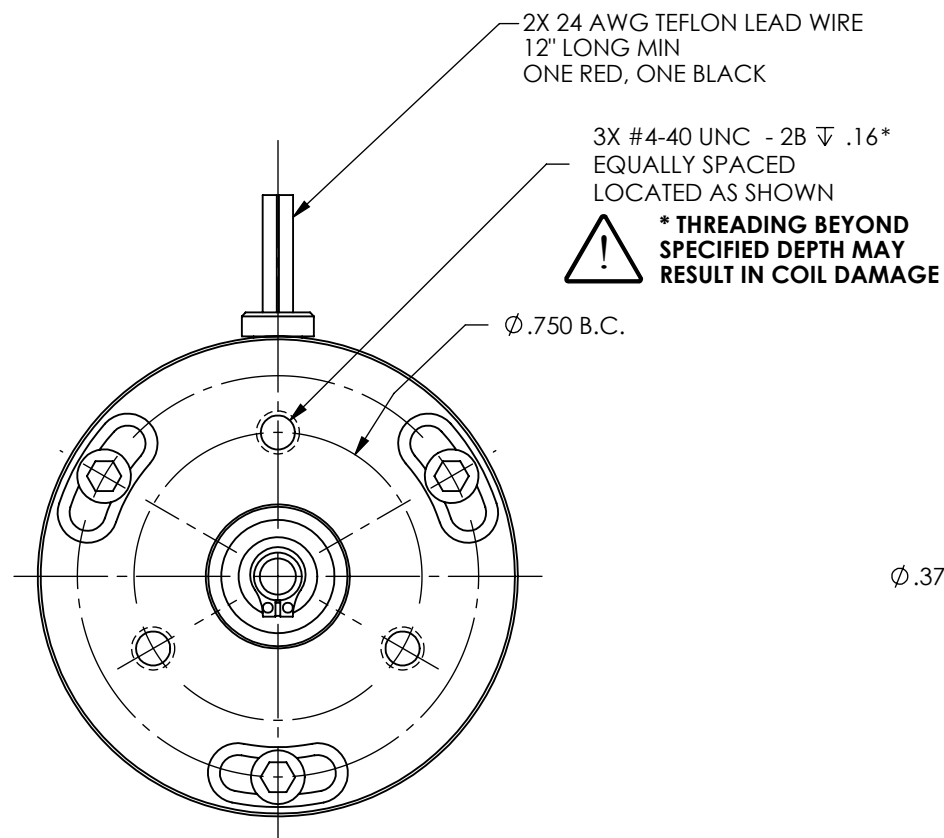

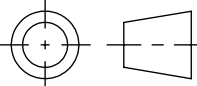


MODEL	COIL NUMBER (-X)	STOCK CODE	MIN. TORQUE AT RATED CURRENT (oz in)	RATED CURRENT (mA)	RESISTANCE ±10% @ 25°C (ohms)	VOLTAGE (Vdc)	NOMINAL POWER (watts)	MAXIMUM SPEED (RPM)	KINETIC POWER RATINGS		DE-ENERGIZED DRAG TORQUE @ 1000 RPM (oz in)(Nm)	EXTERNAL INERTIA (lb in s ²) (kg cm s ²)	TORQUE TO INERTIA RATIO (rad/s ²)
									5 MINUTE (watts)	CONTINUOUS (watts)			
HB-2.5	-1 (90 Vdc)	003500	2.5	37	2430	90	3.33	20,000	20	5	0.05	3.80 X 10 ⁻⁶	41,100
	-2 (24 Vdc)	003501		146	171	25	3.70						
	-3 (12 Vdc)	003502		333	36	12	4.00						

SOLID MODEL AVAILABLE



3 DIMENSIONAL VIEW
SCALE 1 : 1

MATERIAL:	DESIGN	-	-		MAGTROL INC.	
	DRAWN	AJC	12/31/03		70 GARDENVILLE PKWY, W. BUFFALO, NEW YORK 14224-1322	
FINISH:	CHECKED	DTW	12/31/03	TITLE		
	UNLESS OTHERWISE SPECIFIED: DIMENSIONS ARE IN INCHES, DIAMETERS CONCENTRIC: .003 TIR, FACES PERPENDICULAR: .003 INTERPRETATION PER ASME Y14.5M-1994 REMOVE ALL BURRS AND BREAK SHARP EDGES .005/.010 X 45°. ALL INSIDE CORNERS TO BE .02 R MAX. TOLERANCES: .XX ± .01 FRAC. ± 1/64" .XXX ± .005 ANG. ± 1° SURFACE FINISH 125 RMS MAX. U.O.S.			HB-2.5 HYSTERESIS BRAKE		
THIRD ANGLE PROJECTION				USED ON: -	REV	
THIS DRAWING AND SPECIFICATION CONTAINS PROPRIETARY INFORMATION TO MAGTROL INC. ANY DISCLOSURE OR REPRODUCTION OF THIS DOCUMENT WITHOUT WRITTEN AUTHORIZATION FROM MAGTROL INC. IS EXPRESSLY PROHIBITED	DWG. NO.			HB-2.5		A
	SIZE	SCALE	SHEET #			
	B	2:1	2 OF 2			