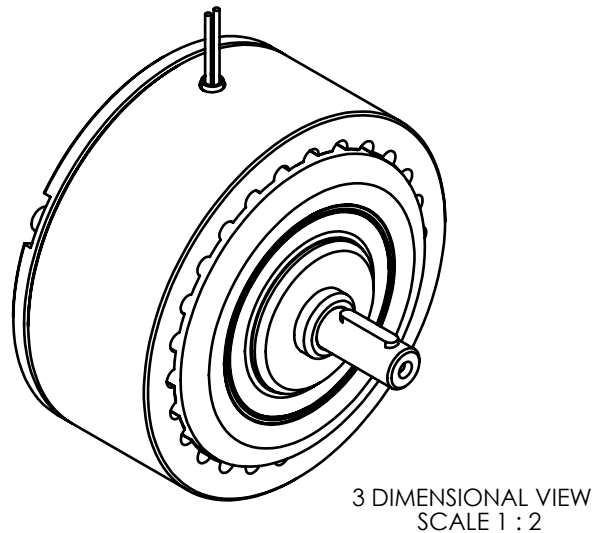
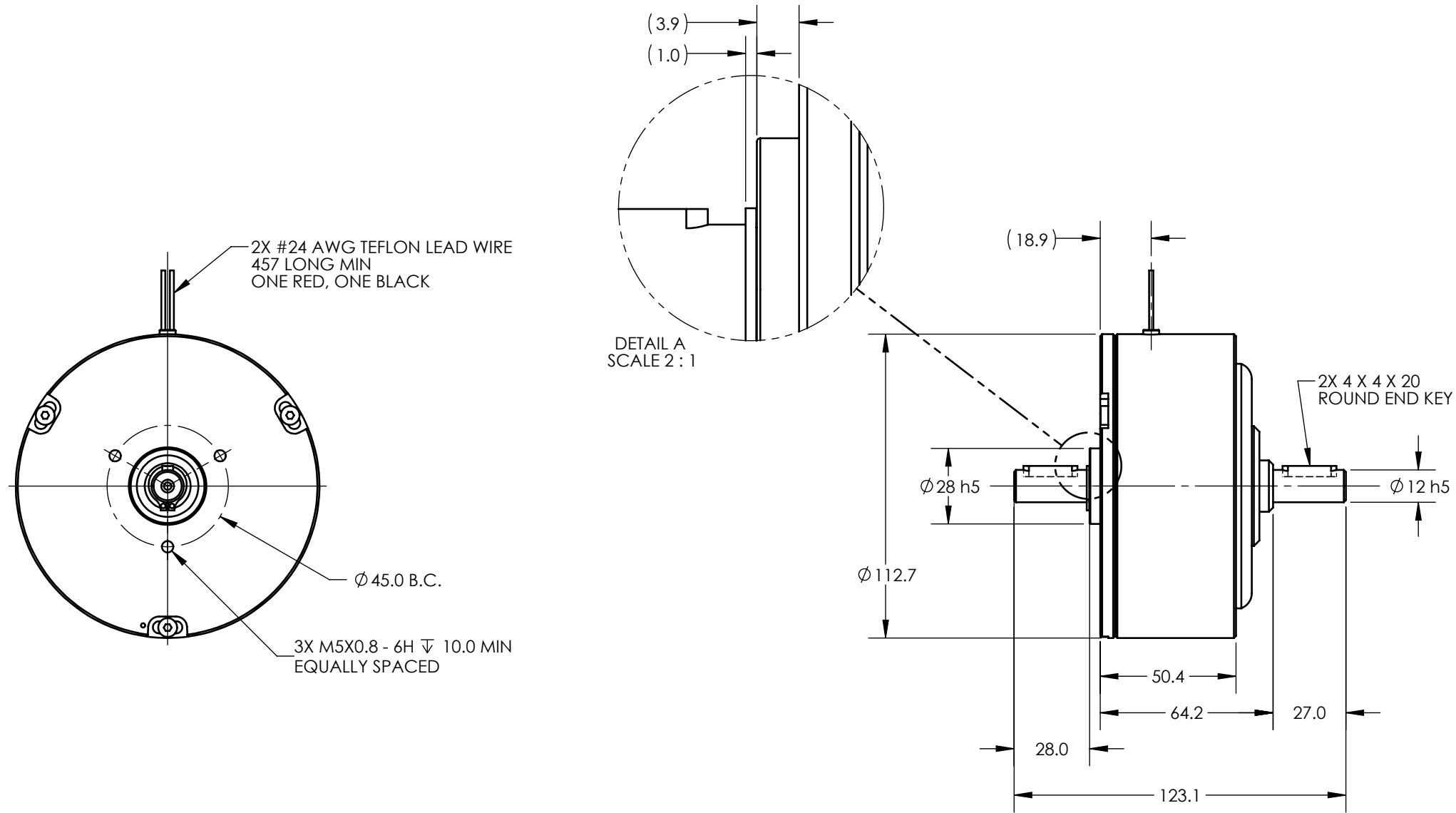

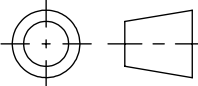


SOLID MODEL AVAILABLE

MODEL	COIL NUMBER	STOCK CODE	MINIMUM TORQUE AT RATED CURRENT (Nm)	RATED CURRENT (mA)	RESISTANCE ±10% @ 25°C (ohms)	VOLTAGE (Vdc)	NOMINAL POWER (watts)	MAXIMUM SPEED (RPM)	KINETIC POWER RATINGS		DE-ENERGIZED DRAG TORQUE @ 1000 RPM (Nm)	EXTERNAL INERTIA (kg cm ²)	ANGULAR ACCELERATION (rad/s ²)
									5 MINUTE (watts)	CONTINUOUS (watts)			
HB-250M	-1 (90 Vdc)	004811	1.75	89	957	84.9	7.54	10,000	450	110	7.77 X 10 ⁻³	3.45	5,070
	-2 (24 Vdc)	003808	1.75	270	96	25.9	7.00						
	-3 (12 Vdc)	004681	1.75	533	24	12.8	6.83						



INSTALLATION DRAWING

MATERIAL: -	DESIGN -	-	 MAGTROL INC. 70 GARDENVILLE PKWY, W. BUFFALO, NEW YORK 14224-1322
FINISH: -	DRAWN AJC	05/21/02	
THIRD ANGLE PROJECTION 	CHECKED DTW	05/21/02	TITLE: HB-250M HYSTERESIS BRAKE
THIS DRAWING AND SPECIFICATION CONTAINS PROPRIETARY INFORMATION TO MAGTROL INC. ANY DISCLOSURE OR REPRODUCTION OF THIS DOCUMENT WITHOUT WRITTEN AUTHORIZATION FROM MAGTROL INC. IS EXPRESSLY PROHIBITED	UNLESS OTHERWISE SPECIFIED: DIMENSIONS ARE IN MILLIMETERS DIAMETERS CONCENTRIC: .08 TIR FACES PERPENDICULAR: .08 INTERPRETATION PER ASME Y14.5M-1994 REMOVE ALL BURRS AND BREAK SHARP EDGES 0.13/0.25 X 45° INSIDE CORNERS TO BE R 0.5 MAX TOLERANCES: .X ± .25 X ± .4 .XX ± .13 X° ± 1° SURFACE FINISH 3.2 µm MAX		USED ON: - SIMILAR TO: - DWG NO: HB-250M REV C
	SIZE B	SCALE 1:4	SHEET #