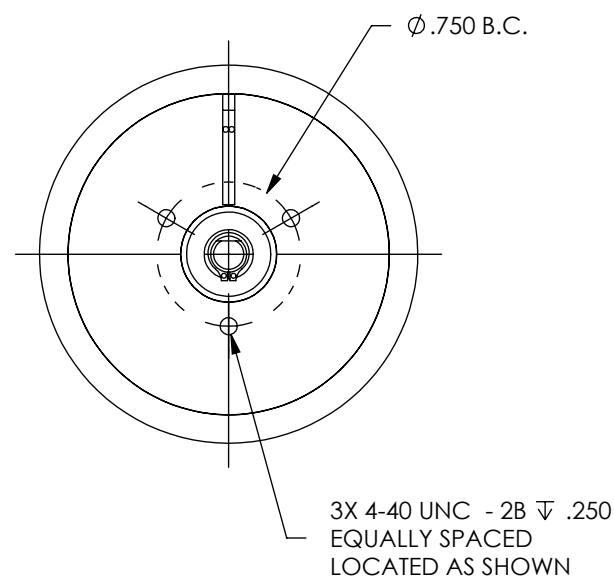
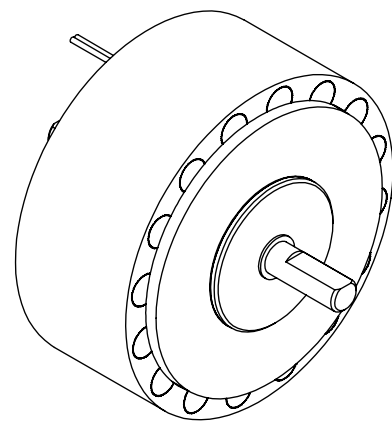
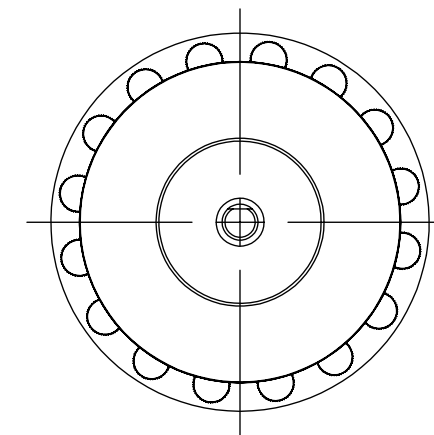
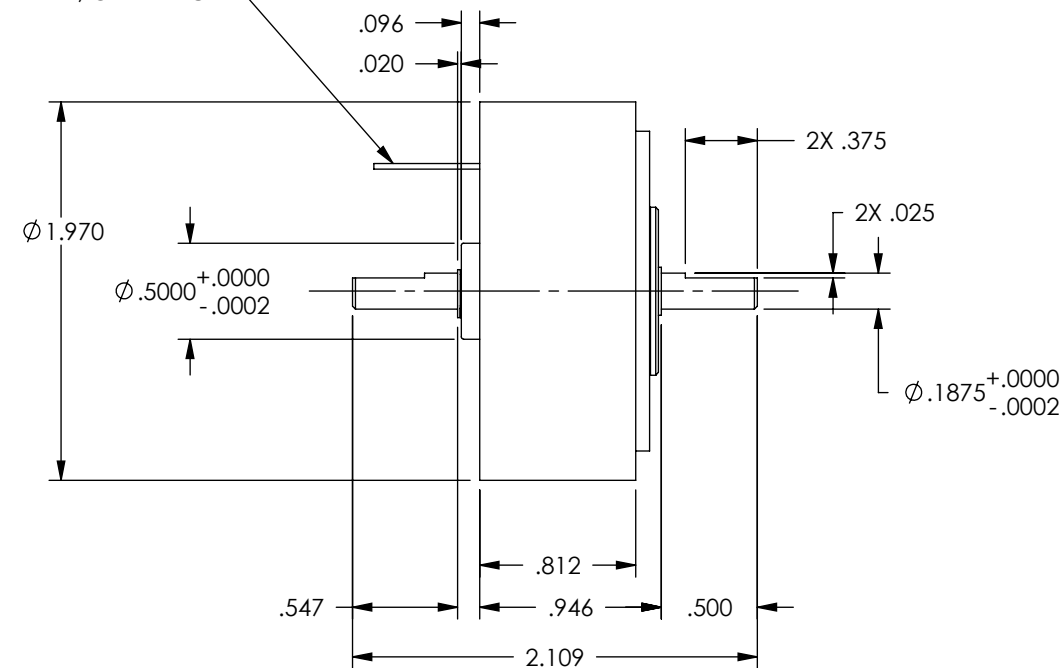


SOLID MODEL AVAILABLE


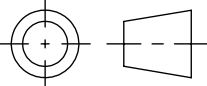
| MODEL | COIL NUMBER | STOCK CODE | MIN. TORQUE AT RATED CURRENT (oz in) | RATED CURRENT (mA) | RESISTANCE ±10% @ 25°C (ohms) | VOLTAGE (Vdc) | NOMINAL POWER (watts) | MAXIMUM SPEED (RPM) | KINETIC POWER RATINGS | | DE-ENERGIZED DRAG TORQUE @ 1000 RPM (oz in) | EXTERNAL INERTIA (lb in ²) | TORQUE TO INERTIA RATIO (rad/s ²) |
|-------|-------------|------------|--------------------------------------|--------------------|-------------------------------|---------------|-----------------------|---------------------|-----------------------|--------------------|---|--|---|
| | | | | | | | | | 5 MINUTE (watts) | CONTINUOUS (watts) | | | |
| HB-16 | -1 (90 Vdc) | 003506 | 16 | 45 | 2300 | 103.5 | 4.7 | 20,000 | 75 | 20 | 0.10 | 5.6 x 10 ⁻⁵ | 17,900 |
| | -2 (24 Vdc) | 003507 | 16 | 192 | 125 | 24 | 4.6 | | | | | | |
| | -3 (12 Vdc) | 003508 | 16 | 375 | 32 | 12 | 4.5 | | | | | | |



2X #24 AWG TEFLON LEAD WIRE
12" LONG MIN
ONE RED, ONE BLACK



3 DIMENSIONAL VIEW
SCALE 1 : 1

| | | | | | | |
|---|---|-------|----------|--|---|-----|
| MATERIAL: | DESIGN | - | - |  | MAGTROL INC. | |
| | DRAWN | JEF | 06/11/04 | | 70 GARDENVILLE PKWY, W. BUFFALO, NEW YORK 14224-1322 | |
| FINISH: | CHECKED | AJC | 06/14/04 | TITLE | | |
| | - | | | HYSTERESIS BRAKE, HB-16 | | |
| THIRD ANGLE PROJECTION |  | | | UNLESS OTHERWISE SPECIFIED: DIMENSIONS ARE IN INCHES, DIAMETERS CONCENTRIC: .003 TIR, FACES PERPENDICULAR: .003 INTERPRETATION PER ASME Y14.5M-1994 REMOVE ALL BURRS AND BREAK SHARP EDGES .005/.010 X 45°, ALL INSIDE CORNERS TO BE .02 R MAX. TOLERANCES: .XX ± .01 FRAC. ± 1/64" .XXX ± .005 ANG. ± 1° SURFACE FINISH 125 RMS MAX. U.O.S. | | |
| THIS DRAWING AND SPECIFICATION CONTAINS PROPRIETARY INFORMATION TO MAGTROL INC. ANY DISCLOSURE OR REPRODUCTION OF THIS DOCUMENT WITHOUT WRITTEN AUTHORIZATION FROM MAGTROL INC. IS EXPRESSLY PROHIBITED | | | | DWG. NO. | | REV |
| | | | | HB-16 | | A |
| SIZE | | SCALE | SHEET # | | | |
| B | | 1:1 | 2 OF 2 | | | |