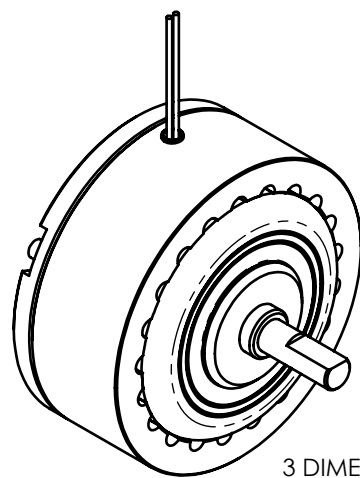
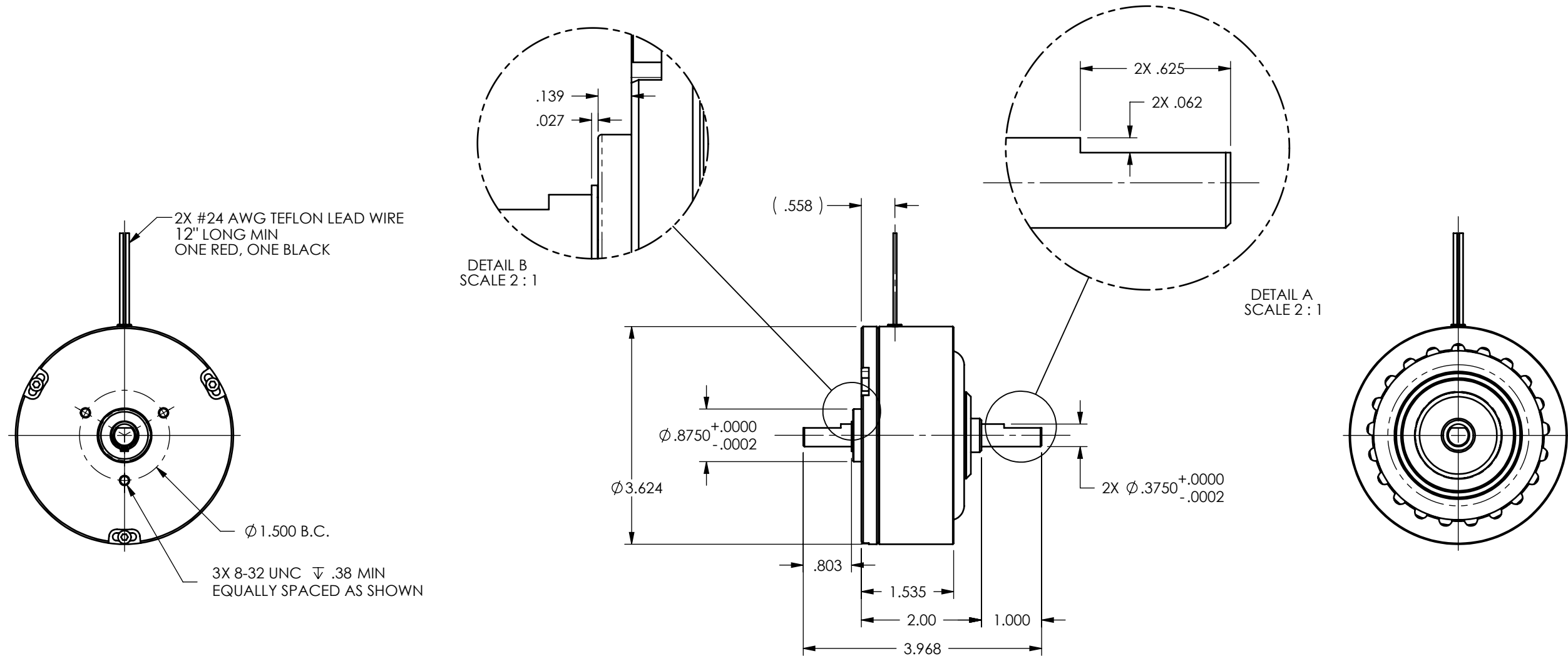



SOLID MODEL AVAILABLE

MODEL	COIL NUMBER (-X)	STOCK CODE	MIN. TORQUE AT RATED CURRENT (oz in)	RATED CURRENT (mA)	RESISTANCE ±10% @ 25°C (ohms)	VOLTAGE (Vdc)	NOMINAL POWER (watts)	MAXIMUM SPEED (RPM)	KINETIC POWER RATINGS		DE-ENERGIZED DRAG TORQUE @ 1000 RPM (oz in)	EXTERNAL INERTIA (lb in ²)	TORQUE TO INERTIA RATIO (rad/s ²)
									5 MINUTE (watts)	CONTINUOUS (watts)			
HB-140-X	-1 (90 Vdc)	003961	140	60	1537	93	5.6	12,000	300	75	0.70	9.1 X 10 ⁻⁴	9,620
	-2 (24 Vdc)	003962		253	95	24	6.1						
	-3 (12 Vdc)	003963		504	23.2	11.7	5.9						



3 DIMENSIONAL VIEW
SCALE 1 : 2

INSTALLATION DRAWING

MATERIAL:	DESIGN	-	-	 MAGTROL INC. 70 GARDENVILLE PKWY, W. BUFFALO, NEW YORK 14224-1322
FINISH:	DRAWN	JEF	06/10/04	
THIRD ANGLE PROJECTION	CHECKED	AJC	06/10/04	TITLE: HB-140 HYSTERESIS BRAKE
THIS DRAWING AND SPECIFICATION CONTAINS PROPRIETARY INFORMATION TO MAGTROL INC. ANY DISCLOSURE OR REPRODUCTION OF THIS DOCUMENT WITHOUT WRITTEN AUTHORIZATION FROM MAGTROL INC. IS EXPRESSLY PROHIBITED	UNLESS OTHERWISE SPECIFIED: DIMENSIONS ARE IN INCHES DIAMETERS CONCENTRIC: .003 TIR FACES PERPENDICULAR: .003 INTERPRETATION PER ASME Y14.5M-1994 REMOVE ALL BURRS AND BREAK SHARP EDGES .005/.010 X 45° INSIDE CORNERS TO BE R .02 MAX TOLERANCES: .XX ± .01 X/Y ± 1/64" .XXX ± .005 ANG ± 1° SURFACE FINISH 125 RMS MAX			USED ON: - SIMILAR TO: - DWG NO:
	HB-140			REV A
SIZE		SCALE		
B		1:2		