

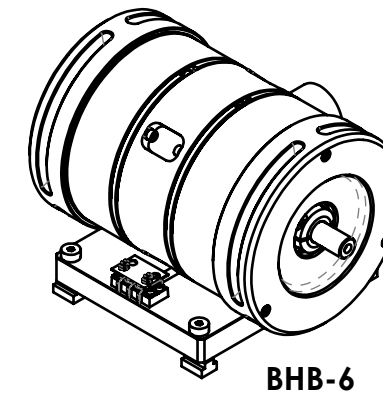
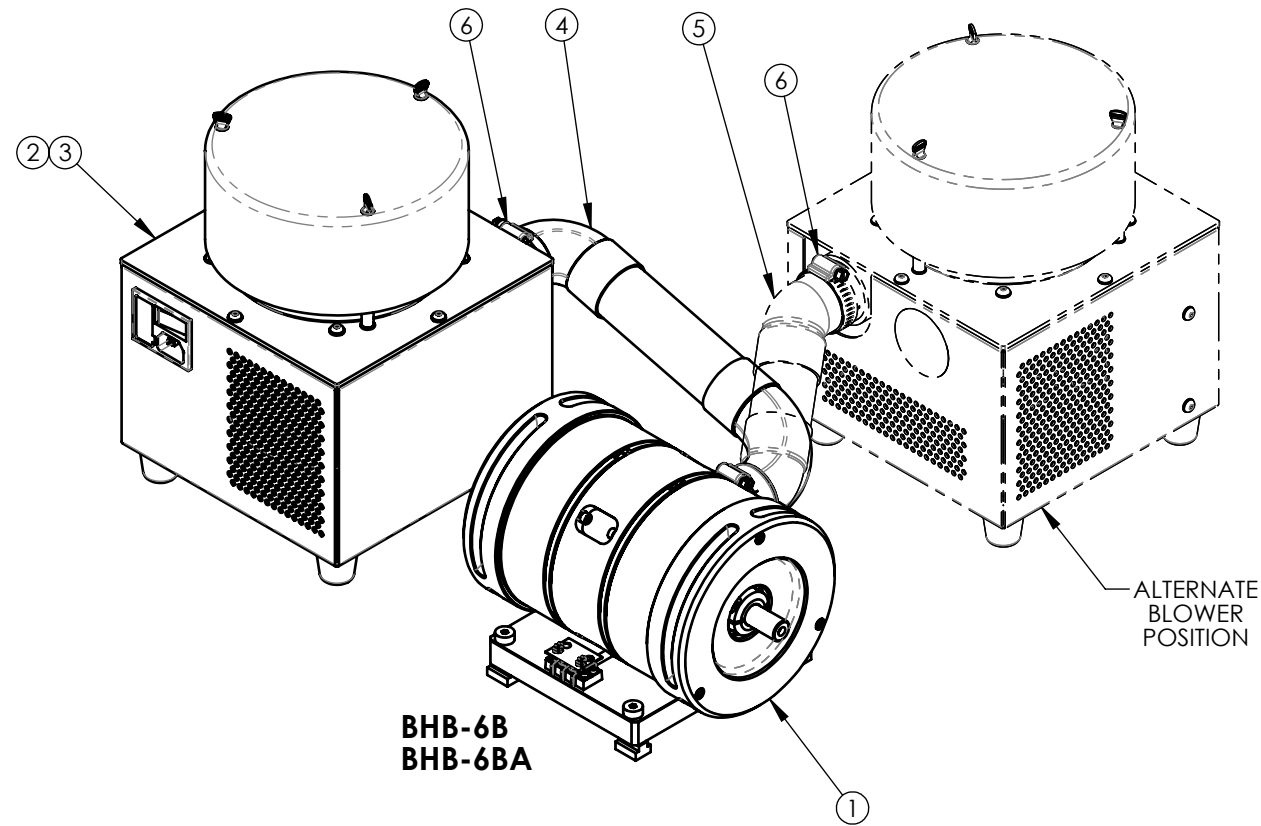
SOLID MODEL AVAILABLE

MODEL	MINIMUM TORQUE AT RATED CURRENT (Nm)	RATED CURRENT (A)	RESISTANCE ±10% @ 25°C (ohms)	VOLTAGE (Vdc)	NOMINAL POWER (watts)	MAXIMUM SPEED (rpm)	KINETIC POWER RATINGS			DE-ENERGIZED DRAG TORQUE @ 1000 RPM (Nm)	EXTERNAL INERTIA (kg m ²)	TORQUE TO INERTIA RATIO (rad/s ²)
							COOLING METHOD	5 MINUTE (watts)	CONTINUOUS (watts)			
BHB-6	6.0	1.5	16.5	24	37.13	20,000	BLOWER*	3,400	3,000	2.82 X 10 ⁻²	13.82 x 10 ⁻⁴	4,340
							NO AIR	1,000	225			

***KINETIC POWER REQUIREMENTS:**
 MAXIMUM POWER RATINGS REQUIRE MAGTROL BLOWER PACKAGE BL-001 OR BL-001-A TO BE USED WITH THE BRAKE.

BRAKE MODEL	BLOWER	
	MODEL	VOLTAGE
BHB-6B	BL-001	120Vac
BHB-6BA	BL-001-A	240Vac
BHB-6	NOT INCLUDED	

BHB-□□
 Blank = Brake Only (No Blower)
 B = 120V Blower & Pipe Assemblies
 BA = 240V Blower & Pipe Assemblies
 Min Torque Rating
 Model Series



INSTALLATION DRAWING

6	505844	HOSE CLAMP	-	2	2
5	183442	CONNECTION PIPE ASSY, SIDE MOUNT	-	1	1
4	173091	CONNECTION PIPE ASSY, REAR MOUNT	-	1	1
3	BL-001-A	BL-001-A, BLOWER ASSEMBLY, 240 VAC	-	-	1
2	BL-001	BL-001, BLOWER ASSEMBLY, 120 VAC	-	1	-
1	BHB-6	BLOWER COOLED BRAKE ASSEMBLY, 6Nm	1	1	1
ITEM NO.	PART NUMBER	DESCRIPTION	BHB-6 QTY.	BHB-6B QTY.	BHB-6BA QTY.

MATERIAL:	DESIGN	JEF	06/18/14
	DRAWN	JEF	07/02/14
FINISH:	CHECKED	AJC	07/17/14

MAGTROL INC.
 70 GARDENVILLE PKWY, W.
 BUFFALO, NEW YORK 14224-1322

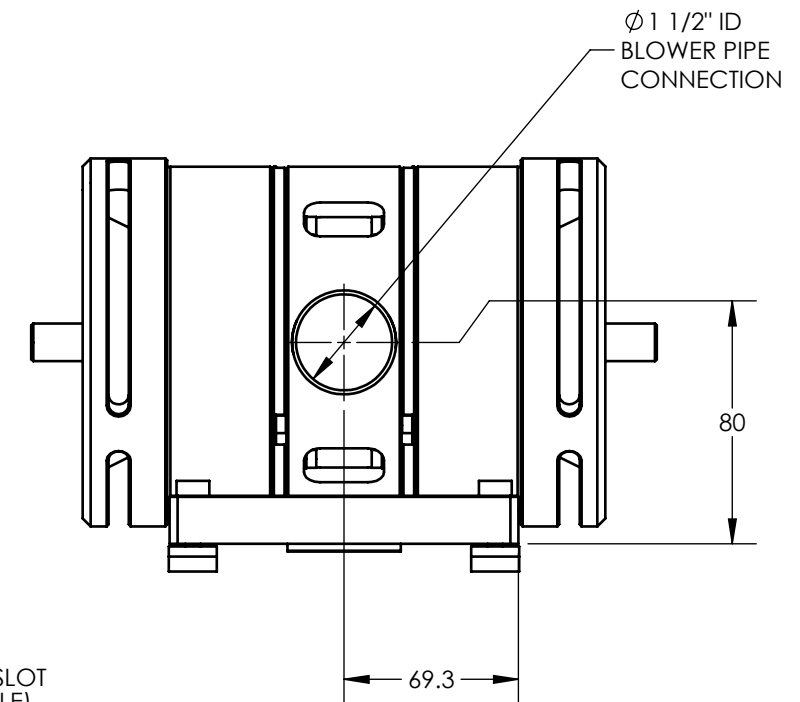
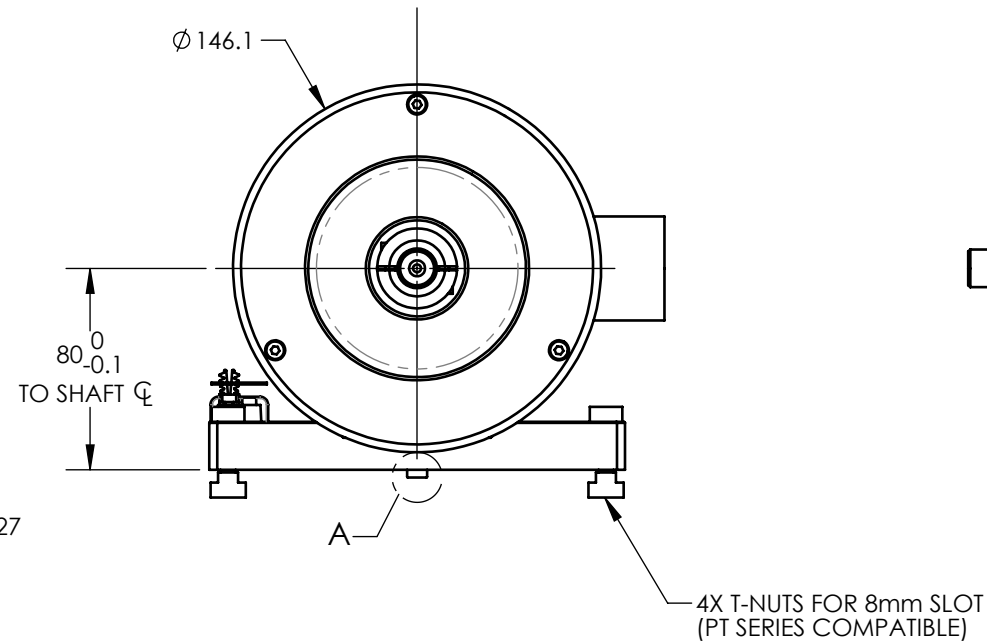
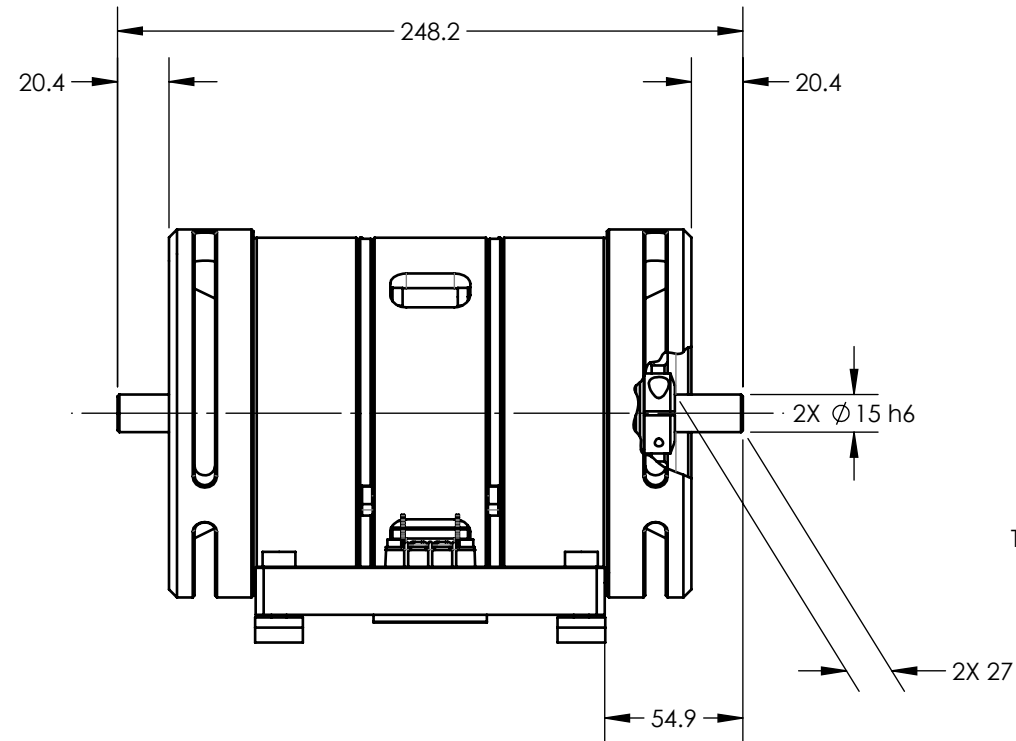
THIRD ANGLE PROJECTION

UNLESS OTHERWISE SPECIFIED:
 DIMENSIONS ARE IN MILLIMETERS
 DIAMETERS CONCENTRIC: .08 TIR
 FACES PERPENDICULAR: .08
 INTERPRETATION PER ASME Y14.5M-1994
 REMOVE ALL BURRS AND BREAK SHARP EDGES 0.13/0.25 X 45°
 INSIDE CORNERS TO BE R 0.5 MAX
 TOLERANCES:
 .X ± .25 X ± .4
 .XX ± .13 X° ± 1°
 SURFACE FINISH 3.2 μm MAX

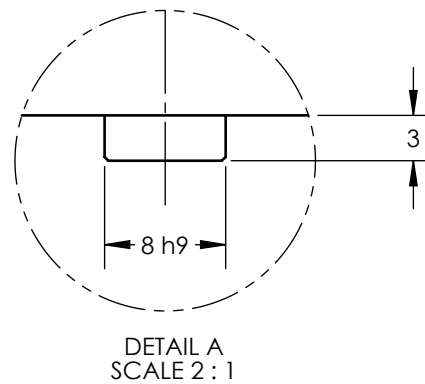
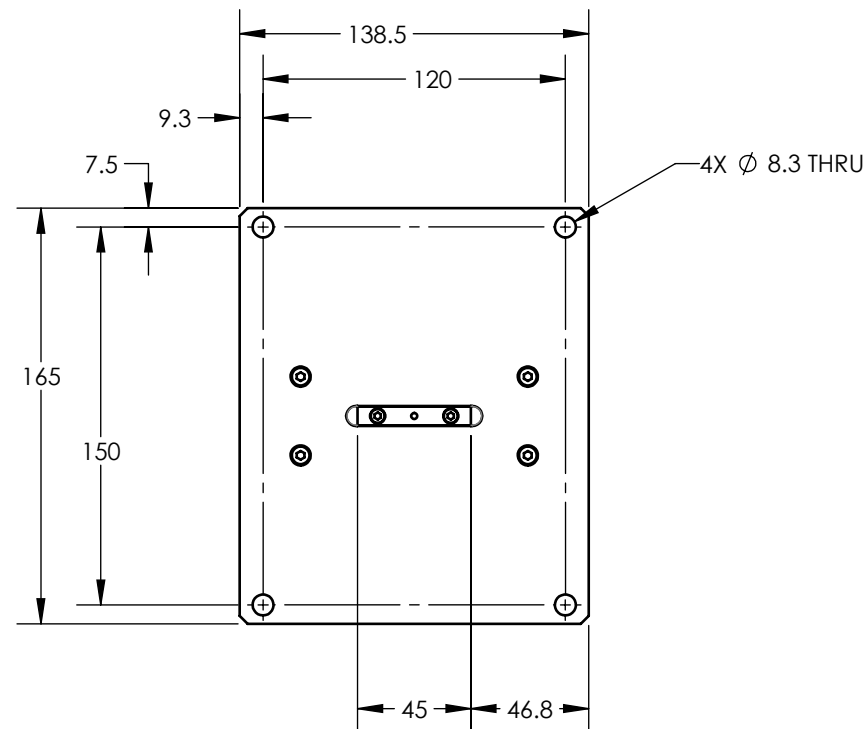
THIS DRAWING AND SPECIFICATION CONTAINS PROPRIETARY INFORMATION TO MAGTROL INC. ANY DISCLOSURE OR REPRODUCTION OF THIS DOCUMENT WITHOUT WRITTEN AUTHORIZATION FROM MAGTROL INC. IS EXPRESSLY PROHIBITED

TITLE: BLOWER COOLED BRAKE ASSEMBLY, 6Nm		
USED ON: -	REV F	
SIMILAR TO: AHB-6, HDB-715	DWG NO: BHB-6	
SIZE B	SCALE 1:5	SHEET # 1 OF 4


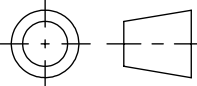
SOLID MODEL AVAILABLE

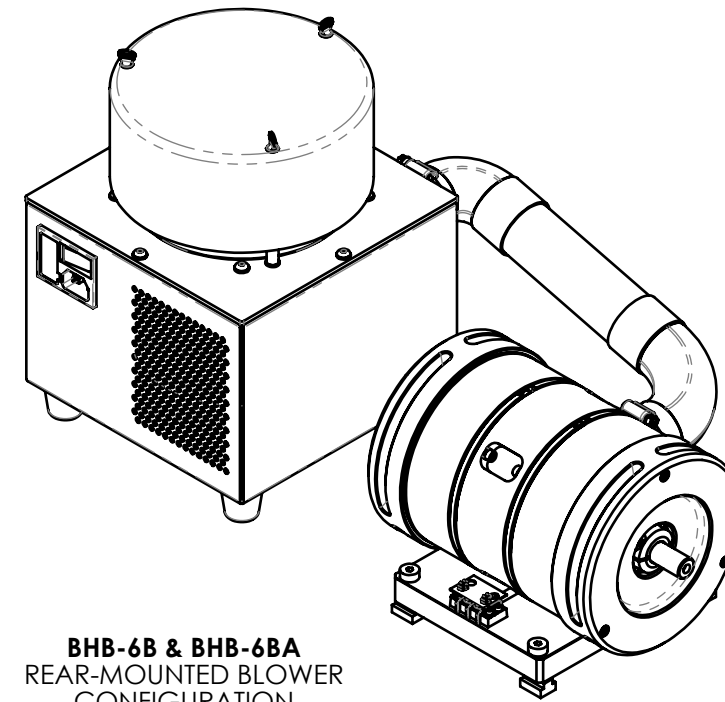
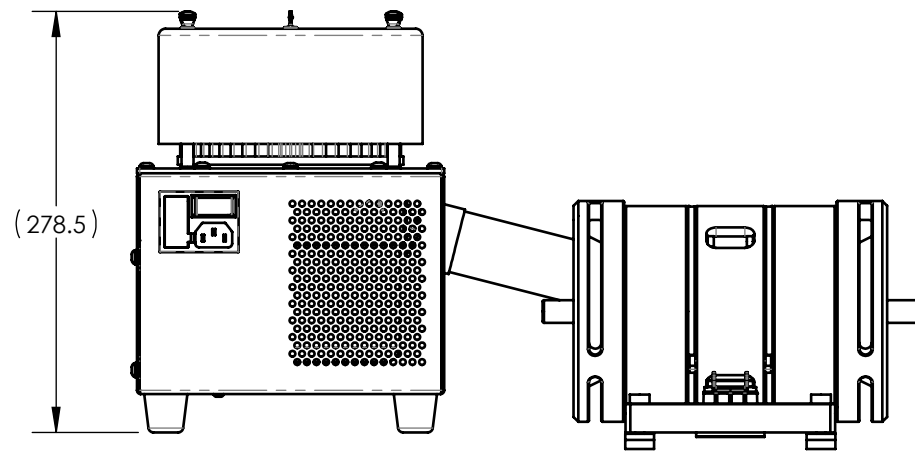
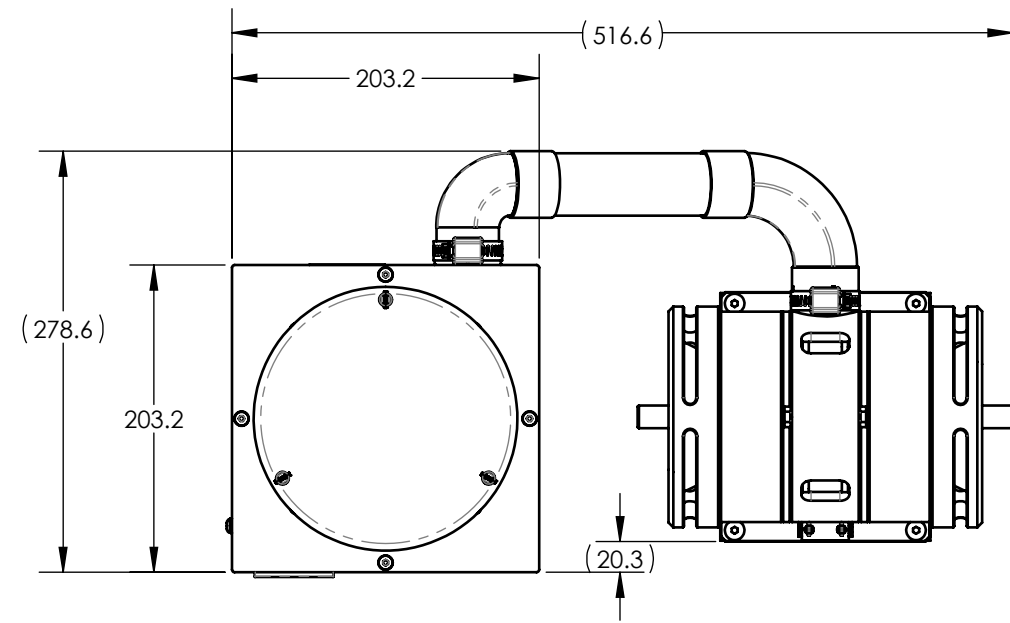


BHB-6, BHB-6B, & BHB-6BA
BRAKE DIMENSIONS




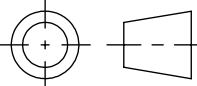
INSTALLATION DRAWING

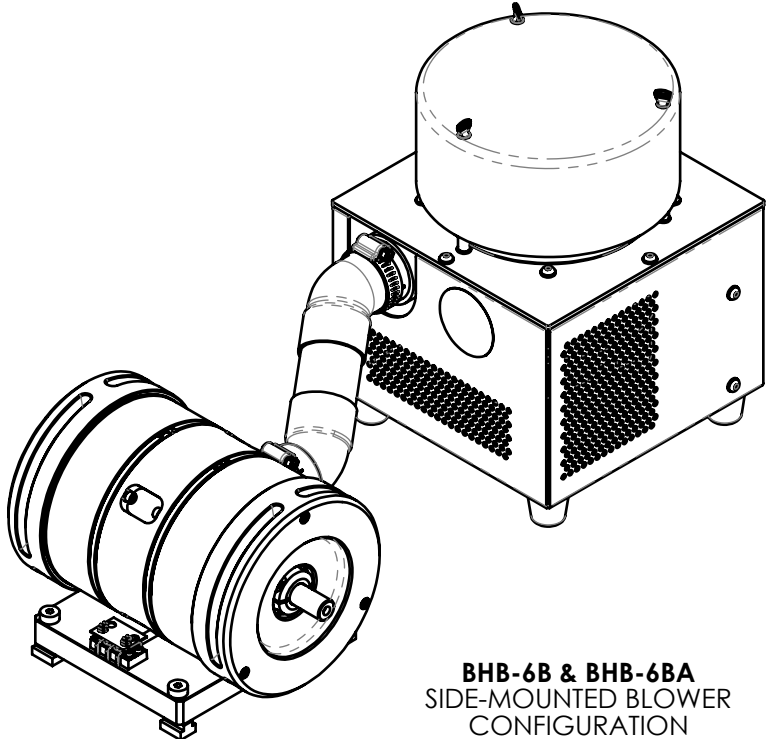
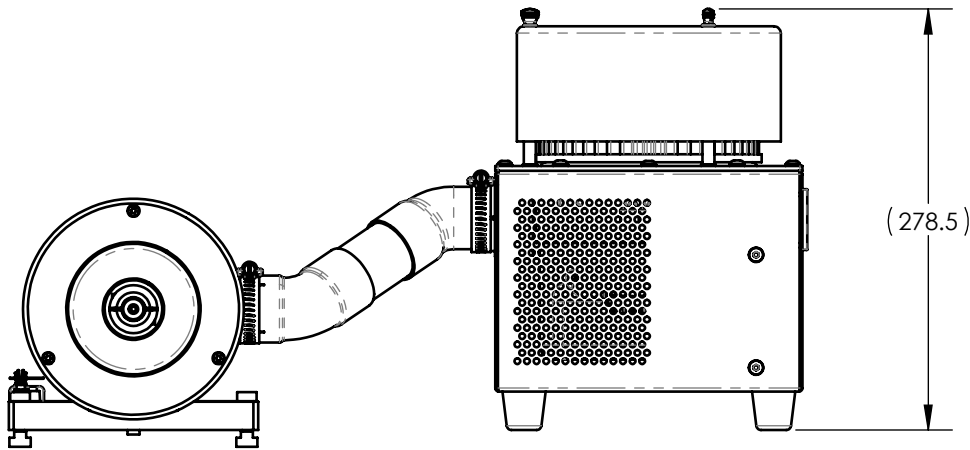
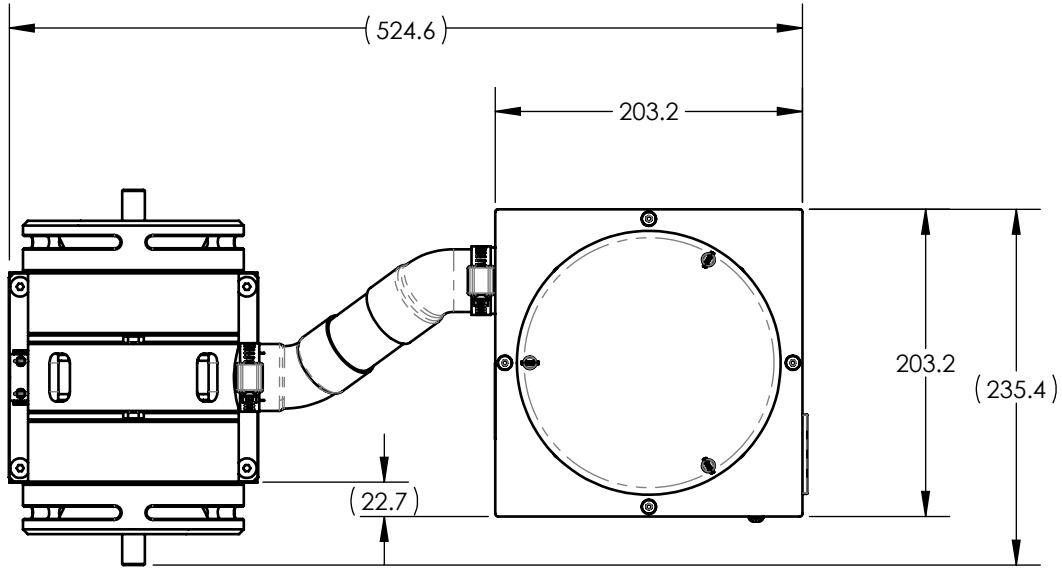
MATERIAL: -	DESIGN	JEF	06/18/14	 MAGTROL INC. 70 GARDENVILLE PKWY, W. BUFFALO, NEW YORK 14224-1322
	DRAWN	JEF	07/02/14	
FINISH: -	CHECKED	AJC	07/17/14	TITLE: BLOWER COOLED BRAKE ASSEMBLY, 6Nm
	THIRD ANGLE PROJECTION 			USED ON: - SIMILAR TO: AHB-6, HDB-715
THIS DRAWING AND SPECIFICATION CONTAINS PROPRIETARY INFORMATION TO MAGTROL INC. ANY DISCLOSURE OR REPRODUCTION OF THIS DOCUMENT WITHOUT WRITTEN AUTHORIZATION FROM MAGTROL INC. IS EXPRESSLY PROHIBITED				UNLESS OTHERWISE SPECIFIED: DIMENSIONS ARE IN MILLIMETERS DIAMETERS CONCENTRIC: .08 TIR FACES PERPENDICULAR: .08 INTERPRETATION PER ASME Y14.5M-1994 REMOVE ALL BURRS AND BREAK SHARP EDGES 0.13/0.25 X 45° INSIDE CORNERS TO BE R 0.5 MAX TOLERANCES: .X ± .25 X ± .4 .XX ± .13 X° ± 1° SURFACE FINISH 3.2 µm MAX
				DWG NO: <div style="display: flex; justify-content: space-between;"> BHB-6 REV F </div>
SIZE B	SCALE 1:3	SHEET # 2 OF 4		




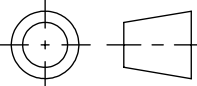
BHB-6B & BHB-6BA
REAR-MOUNTED BLOWER
CONFIGURATION

INSTALLATION DRAWING

MATERIAL: -	DESIGN	JEF	06/18/14	 MAGTROL INC. 70 GARDENVILLE PKWY, W. BUFFALO, NEW YORK 14224-1322
	DRAWN	JEF	07/02/14	
FINISH: -	CHECKED	AJC	07/17/14	TITLE: BLOWER COOLED BRAKE ASSEMBLY, 6Nm
THIRD ANGLE PROJECTION				UNLESS OTHERWISE SPECIFIED: DIMENSIONS ARE IN MILLIMETERS DIAMETERS CONCENTRIC: .08 TIR FACES PERPENDICULAR: .08 INTERPRETATION PER ASME Y14.5M-1994 REMOVE ALL BURRS AND BREAK SHARP EDGES 0.13/0.25 X 45° INSIDE CORNERS TO BE R 0.5 MAX TOLERANCES: .X ± .25 X ± .4 .XX ± .13 X° ± 1° SURFACE FINISH 3.2 μm MAX
THIS DRAWING AND SPECIFICATION CONTAINS PROPRIETARY INFORMATION TO MAGTROL INC. ANY DISCLOSURE OR REPRODUCTION OF THIS DOCUMENT WITHOUT WRITTEN AUTHORIZATION FROM MAGTROL INC. IS EXPRESSLY PROHIBITED				USED ON: - SIMILAR TO: AHB-6, HDB-715 DWG NO: BHB-6 REV F
SIZE B	SCALE 1:5	SHEET # 3 OF 4		



INSTALLATION DRAWING

MATERIAL: -	DESIGN	JEF	06/18/14	 MAGTROL INC. 70 GARDENVILLE PKWY, W. BUFFALO, NEW YORK 14224-1322
	DRAWN	JEF	07/02/14	
FINISH: -	CHECKED	AJC	07/17/14	TITLE: BLOWER COOLED BRAKE ASSEMBLY, 6Nm
	THIRD ANGLE PROJECTION 			UNLESS OTHERWISE SPECIFIED: DIMENSIONS ARE IN MILLIMETERS DIAMETERS CONCENTRIC: .08 TIR FACES PERPENDICULAR: .08 INTERPRETATION PER ASME Y14.5M-1994 REMOVE ALL BURRS AND BREAK SHARP EDGES 0.13/0.25 X 45° INSIDE CORNERS TO BE R 0.5 MAX TOLERANCES: .X ± .25 X ± .4 .XX ± .13 X° ± 1° SURFACE FINISH 3.2 μm MAX
THIS DRAWING AND SPECIFICATION CONTAINS PROPRIETARY INFORMATION TO MAGTROL INC. ANY DISCLOSURE OR REPRODUCTION OF THIS DOCUMENT WITHOUT WRITTEN AUTHORIZATION FROM MAGTROL INC. IS EXPRESSLY PROHIBITED				USED ON: - SIMILAR TO: AHB-6, HDB-715 DWG NO: BHB-6 REV F
SIZE B		SCALE 1:5	SHEET # 4 OF 4	