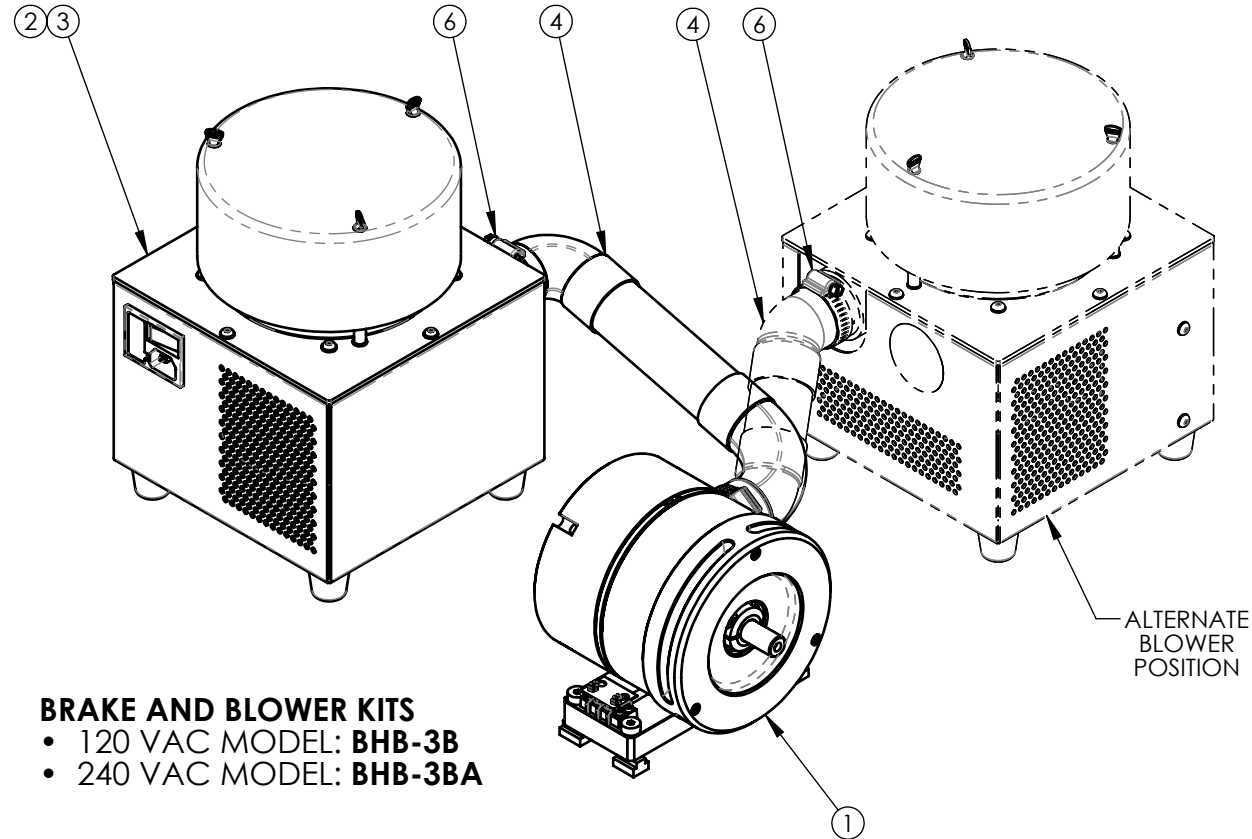
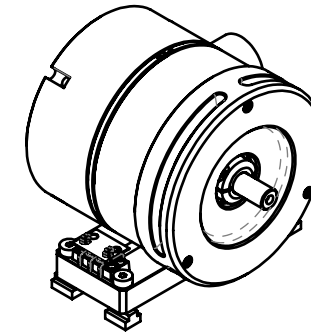


MODEL	MINIMUM TORQUE AT RATED CURRENT (Nm)	RATED CURRENT (mA)	RESISTANCE ±10% @ 25°C (ohms)	VOLTAGE (Vdc)	NOMINAL POWER (watts)	MAXIMUM SPEED (rpm)	KINETIC POWER RATINGS			DE-ENERGIZED DRAG TORQUE @ 1000 RPM (Nm)	EXTERNAL INERTIA (kg m ²)	TORQUE TO INERTIA RATIO (rad/s ²)	SOLID MODEL AVAILABLE
							COOLING METHOD	5 MINUTE (watts)	CONTINUOUS (watts)				
BHB-3	3	750	33	24.8	18.56	20,000	BLOWER*	(1,500)	(935)	1.51 X 10 ⁻²	6.91 x 10 ⁻⁴	4,340	*KINETIC POWER REQUIREMENTS: MAXIMUM POWER RATINGS REQUIRE MAGTROL BLOWER PACKAGE BL-001 OR BL-001-A TO BE USED WITH THE BRAKE.
							NO AIR	800	160				

KINETIC POWER RATINGS ARE PRELIMINARY




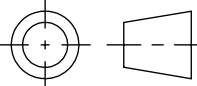
BRAKE AND BLOWER KITS
 • 120 VAC MODEL: **BHB-3B**
 • 240 VAC MODEL: **BHB-3BA**

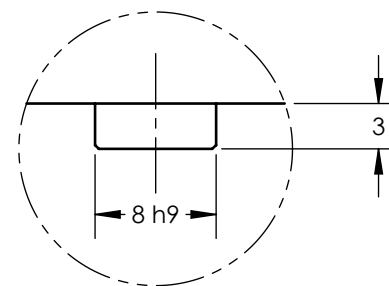
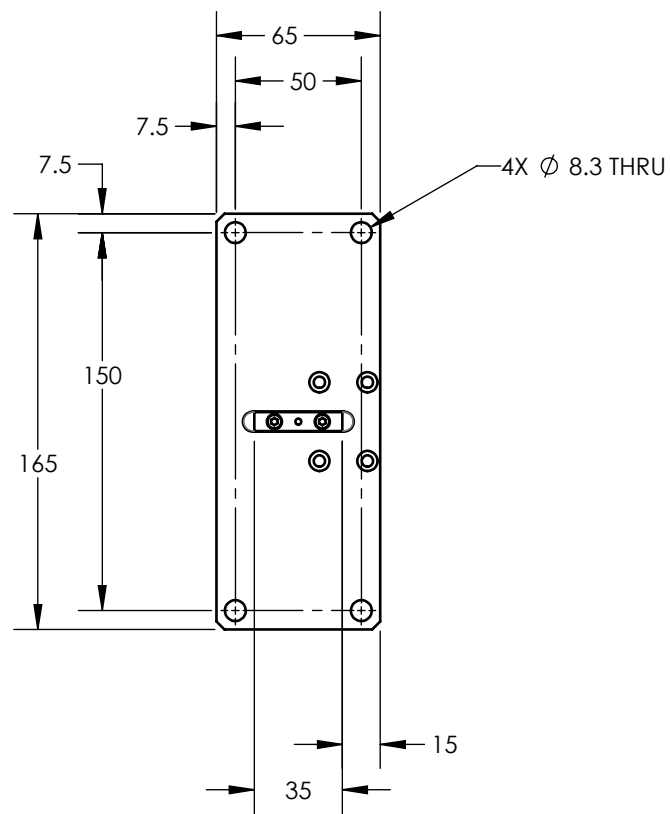
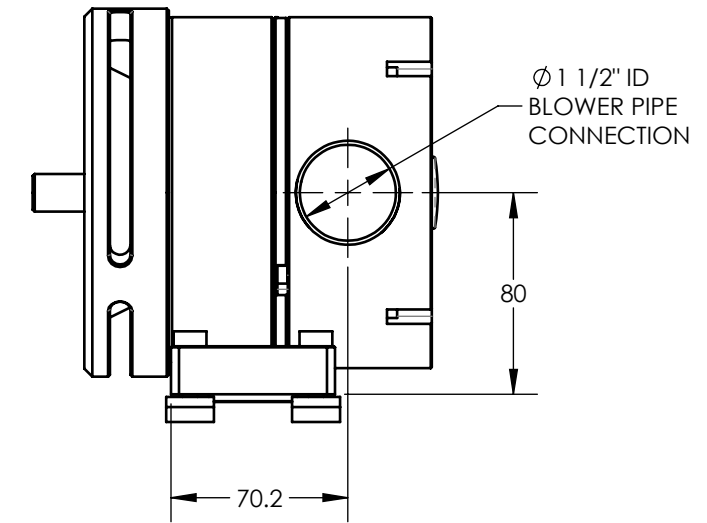
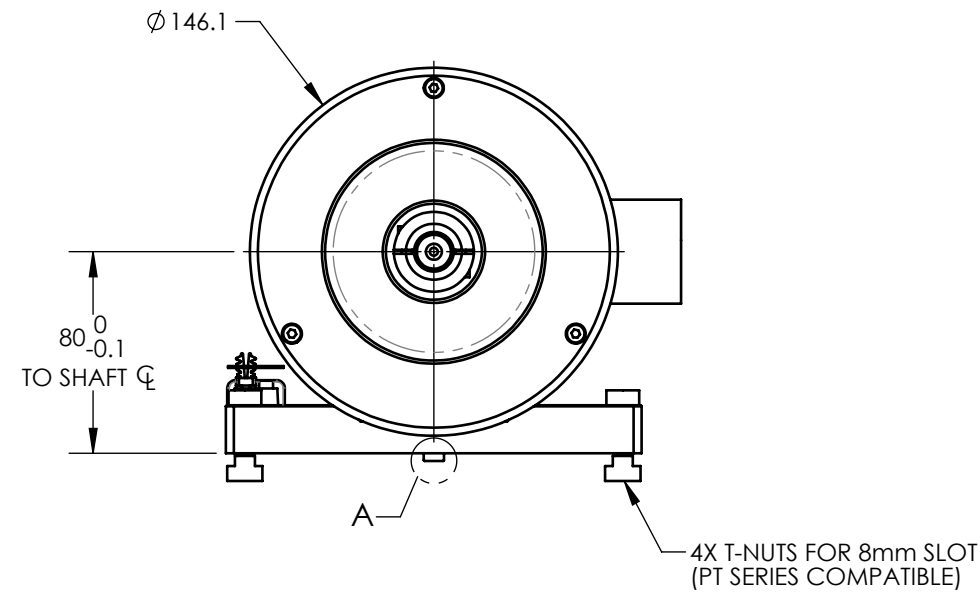
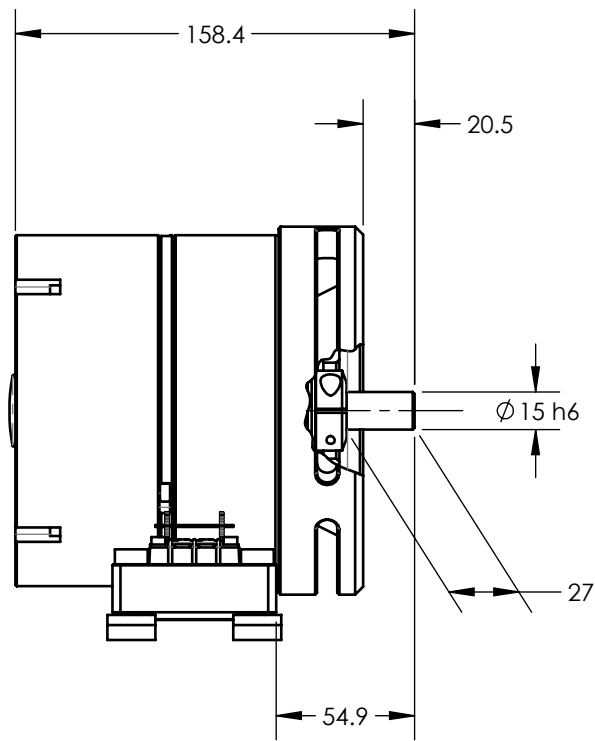


BRAKE ONLY MODEL: **BHB-3**

INSTALLATION DRAWING

ITEM NO.	PART NUMBER	DESCRIPTION	BHB-3 QTY.	BHB-3B QTY.	BHB-3BA QTY.
6	505844	HOSE CLAMP	-	2	2
5	183442	CONNECTION PIPE ASSY, SIDE-MOUNT	-	1	1
4	173091	CONNECTION PIPE ASSY, REAR-MOUNT	-	1	1
3	BL-001-A	BL-001-A, BLOWER ASSEMBLY, 240 VAC	-	-	1
2	BL-001	BL-001, BLOWER ASSEMBLY, 120 VAC	-	1	-
1	BHB-3	BLOWER COOLED BRAKE, 3Nm (BRAKE ONLY)	1	1	1


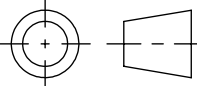
MATERIAL:	DESIGN	AJC	08/26/14	 MAGTROL INC. 70 GARDENVILLE PKWY, W. BUFFALO, NEW YORK 14224-1322
	DRAWN	AJC	08/26/14	
FINISH:	CHECKED	JEF	09/01/14	TITLE:
THIRD ANGLE PROJECTION				BLOWER COOLED BRAKE ASSEMBLY, 3Nm
THIS DRAWING AND SPECIFICATION CONTAINS PROPRIETARY INFORMATION TO MAGTROL INC. ANY DISCLOSURE OR REPRODUCTION OF THIS DOCUMENT WITHOUT WRITTEN AUTHORIZATION FROM MAGTROL INC. IS EXPRESSLY PROHIBITED	UNLESS OTHERWISE SPECIFIED: DIMENSIONS ARE IN MILLIMETERS DIAMETERS CONCENTRIC: .08 TIR FACES PERPENDICULAR: .08 INTERPRETATION PER ASME Y14.5M-1994 REMOVE ALL BURRS AND BREAK SHARP EDGES 0.13/0.25 X 45° INSIDE CORNERS TO BE R 0.5 MAX TOLERANCES: .X ± .25 X ± .4 .XX ± .13 X° ± 1° SURFACE FINISH 3.2 μm MAX			USED ON: - SIMILAR TO: AHB-3, HB-710 DWG NO: BHB-3
				REV E
SIZE B		SCALE 1:5	SHEET # 1 OF 4	

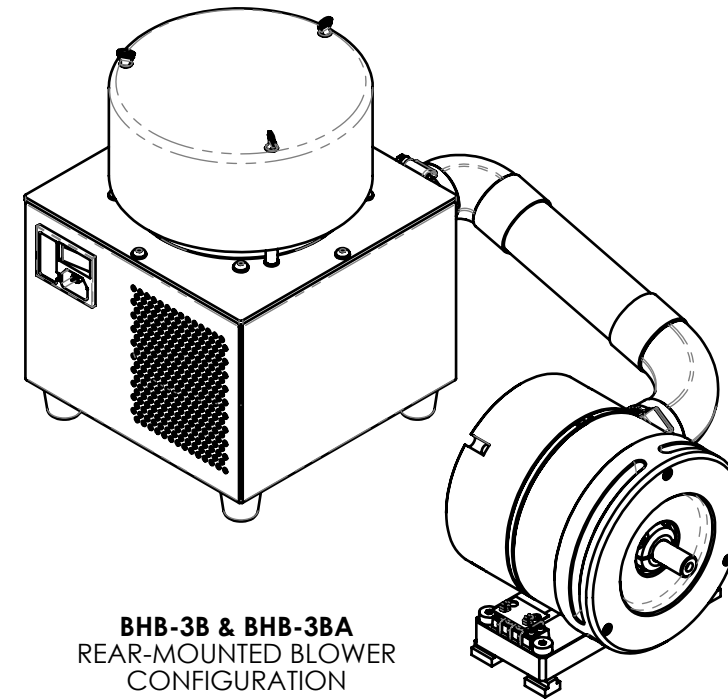
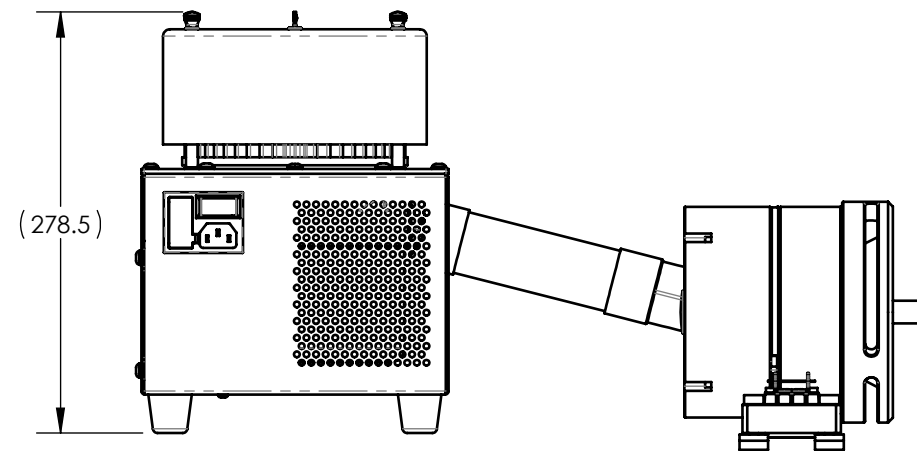
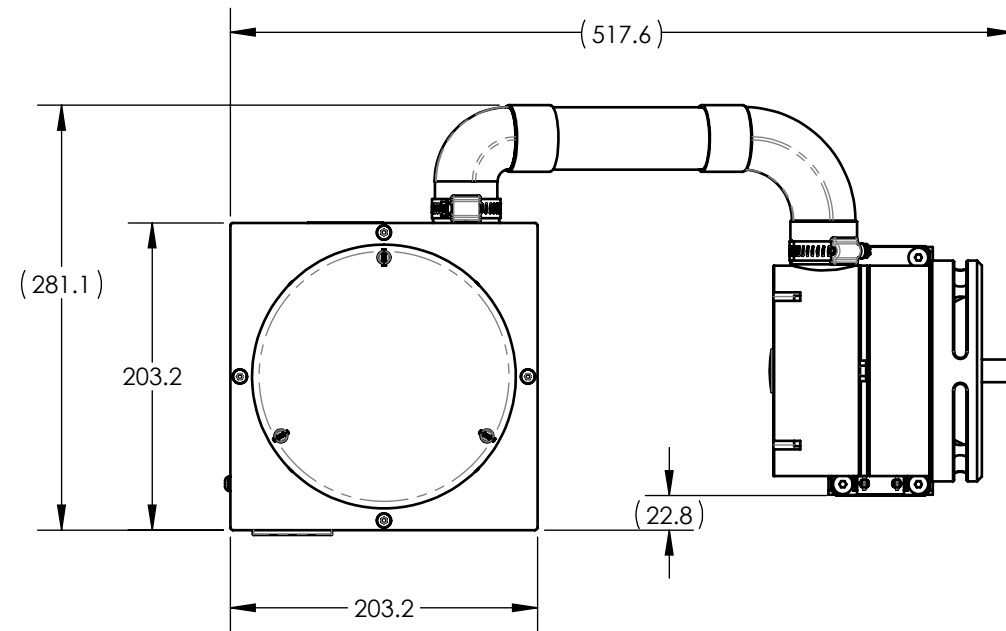


DETAIL A
SCALE 2 : 1

BHB-3, BHB-3B, & BHB-3BA
BRAKE DIMENSIONS


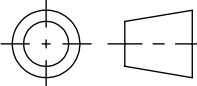
INSTALLATION DRAWING

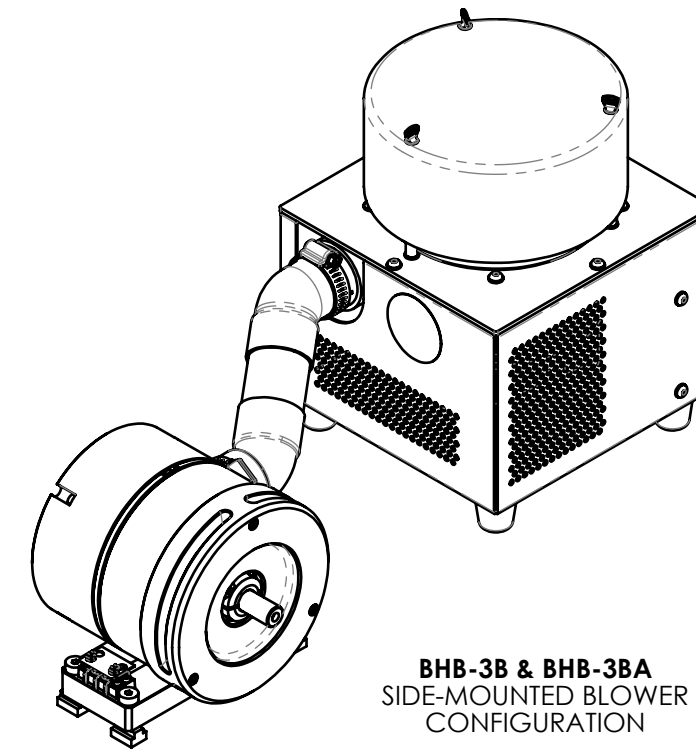
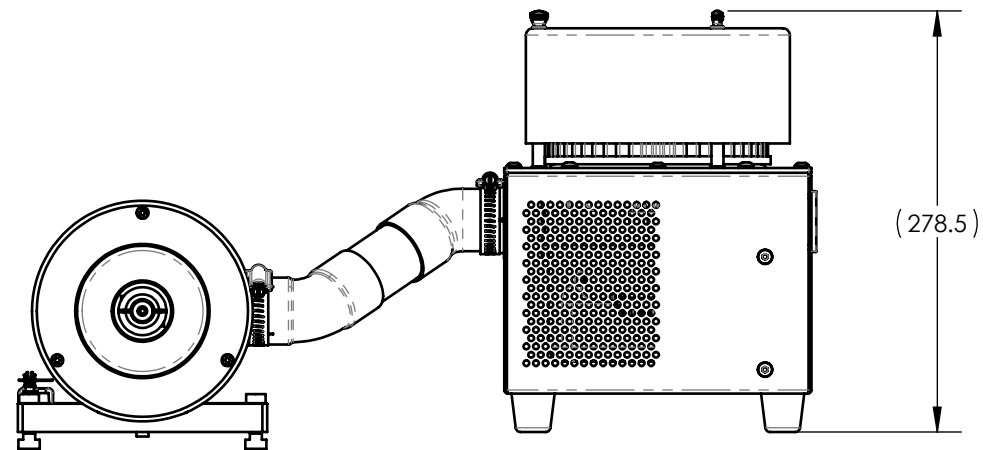
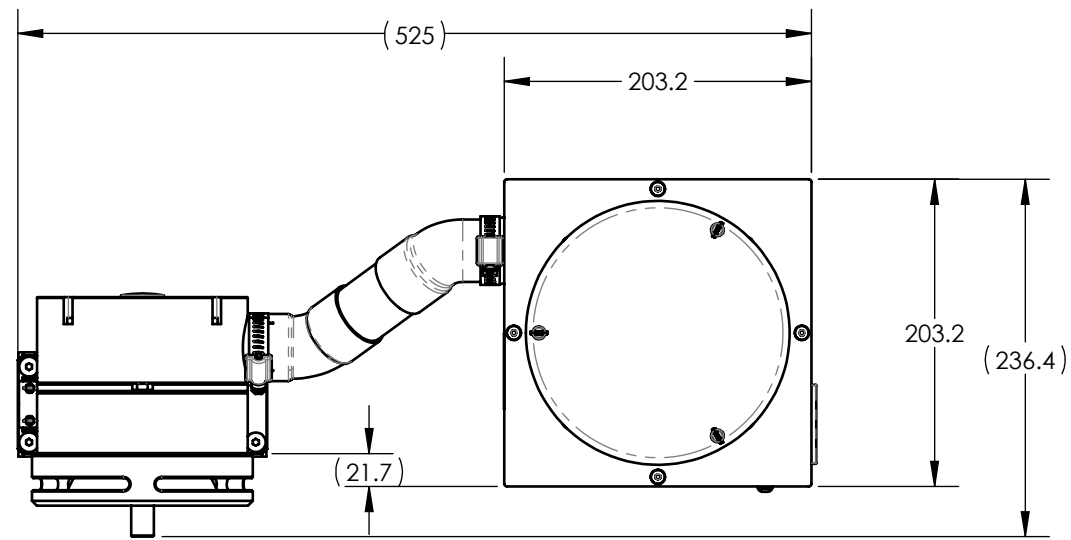
MATERIAL: -	DESIGN	AJC	08/26/14	 MAGTROL INC. 70 GARDENVILLE PKWY, W. BUFFALO, NEW YORK 14224-1322
	DRAWN	AJC	08/26/14	
FINISH: -	CHECKED	JEF	09/01/14	TITLE: BLOWER COOLED BRAKE ASSEMBLY, 3Nm
	THIRD ANGLE PROJECTION 			UNLESS OTHERWISE SPECIFIED: DIMENSIONS ARE IN MILLIMETERS DIAMETERS CONCENTRIC: .08 TIR FACES PERPENDICULAR: .08 INTERPRETATION PER ASME Y14.5M-1994 REMOVE ALL BURRS AND BREAK SHARP EDGES 0.13/0.25 X 45° INSIDE CORNERS TO BE R 0.5 MAX TOLERANCES: .X ± .25 X ± .4 .XX ± .13 X° ± 1° SURFACE FINISH 3.2 μm MAX
THIS DRAWING AND SPECIFICATION CONTAINS PROPRIETARY INFORMATION TO MAGTROL INC. ANY DISCLOSURE OR REPRODUCTION OF THIS DOCUMENT WITHOUT WRITTEN AUTHORIZATION FROM MAGTROL INC. IS EXPRESSLY PROHIBITED				USED ON: - SIMILAR TO: AHB-3, HB-710 DWG NO: BHB-3 REV E
SIZE B		SCALE 1:3	SHEET # 2 OF 4	



BHB-3B & BHB-3BA
REAR-MOUNTED BLOWER
CONFIGURATION


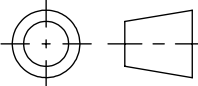
INSTALLATION DRAWING

MATERIAL: -	DESIGN	AJC	08/26/14	 MAGTROL INC. 70 GARDENVILLE PKWY, W. BUFFALO, NEW YORK 14224-1322
	DRAWN	AJC	08/26/14	
FINISH: -	CHECKED	JEF	09/01/14	TITLE: BLOWER COOLED BRAKE ASSEMBLY, 3Nm
	THIRD ANGLE PROJECTION 			UNLESS OTHERWISE SPECIFIED: DIMENSIONS ARE IN MILLIMETERS DIAMETERS CONCENTRIC: .08 TIR FACES PERPENDICULAR: .08 INTERPRETATION PER ASME Y14.5M-1994 REMOVE ALL BURRS AND BREAK SHARP EDGES 0.13/0.25 X 45° INSIDE CORNERS TO BE R 0.5 MAX TOLERANCES: .X ± .25 X ± .4 .XX ± .13 X° ± 1° SURFACE FINISH 3.2 μm MAX
THIS DRAWING AND SPECIFICATION CONTAINS PROPRIETARY INFORMATION TO MAGTROL INC. ANY DISCLOSURE OR REPRODUCTION OF THIS DOCUMENT WITHOUT WRITTEN AUTHORIZATION FROM MAGTROL INC. IS EXPRESSLY PROHIBITED				USED ON: - SIMILAR TO: AHB-3, HB-710 DWG NO: BHB-3 REV E
SIZE B		SCALE 1:5	SHEET # 3 OF 4	



BHB-3B & BHB-3BA
SIDE-MOUNTED BLOWER
CONFIGURATION

INSTALLATION DRAWING

MATERIAL: -	DESIGN	AJC	08/26/14	 MAGTROL INC. 70 GARDENVILLE PKWY, W. BUFFALO, NEW YORK 14224-1322
	DRAWN	AJC	08/26/14	
FINISH: -	CHECKED	JEF	09/01/14	TITLE: BLOWER COOLED BRAKE ASSEMBLY, 3Nm
THIRD ANGLE PROJECTION				UNLESS OTHERWISE SPECIFIED: DIMENSIONS ARE IN MILLIMETERS DIAMETERS CONCENTRIC: .08 TIR FACES PERPENDICULAR: .08 INTERPRETATION PER ASME Y14.5M-1994 REMOVE ALL BURRS AND BREAK SHARP EDGES 0.13/0.25 X 45° INSIDE CORNERS TO BE R 0.5 MAX TOLERANCES: .X ± .25 X ± .4 .XX ± .13 X° ± 1° SURFACE FINISH 3.2 μm MAX
THIS DRAWING AND SPECIFICATION CONTAINS PROPRIETARY INFORMATION TO MAGTROL INC. ANY DISCLOSURE OR REPRODUCTION OF THIS DOCUMENT WITHOUT WRITTEN AUTHORIZATION FROM MAGTROL INC. IS EXPRESSLY PROHIBITED				USED ON: - SIMILAR TO: AHB-3, HB-710 DWG NO: BHB-3 REV E
SIZE B	SCALE 1:5	SHEET # 4 OF 4		