

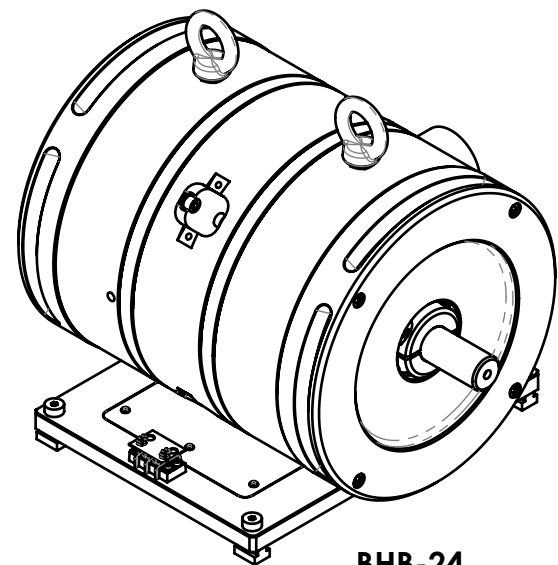
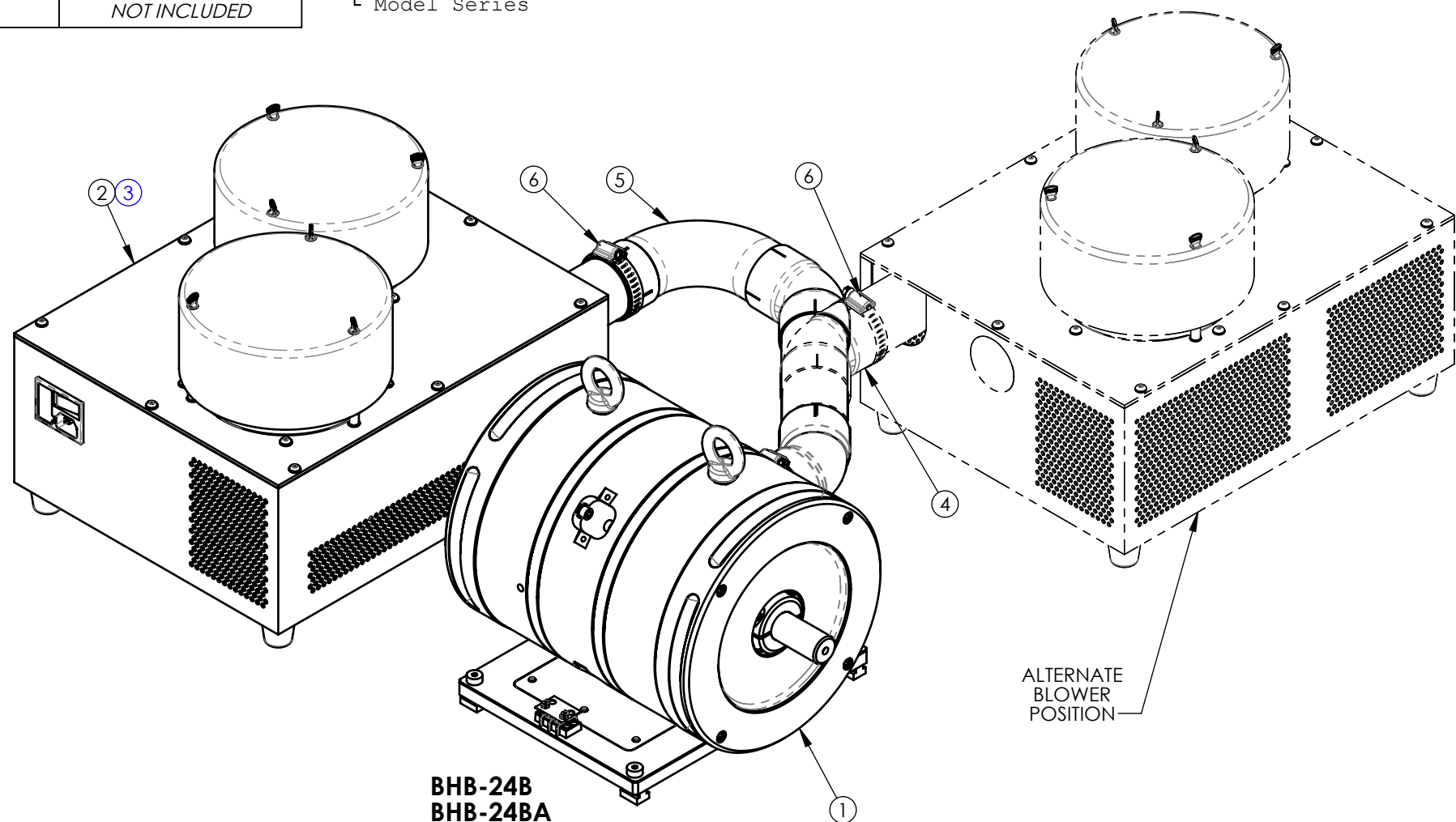
MODEL	MINIMUM TORQUE AT RATED CURRENT (Nm)	RATED CURRENT (A)	RESISTANCE ±10% @ 25°C (ohms)	VOLTAGE (Vdc)	NOMINAL POWER (watts)	MAXIMUM SPEED (rpm)	KINETIC POWER RATINGS			DE-ENERGIZED DRAG TORQUE @ 1000 RPM (Nm)	EXTERNAL INERTIA (kg m <sup>2</sup> )	TORQUE TO INERTIA RATIO (rad/s <sup>2</sup> )
							COOLING METHOD	5 MINUTE (watts)	CONTINUOUS (watts)			
BHB-24	24	2.4	10	24	57.6	12,000	BLOWER*	(7,000)*	(6,000)*	.14	11.2 x 10 <sup>-3</sup>	2,140
							NO AIR	4,000	450			

**\*KINETIC POWER REQUIREMENTS:**  
 MAXIMUM POWER RATINGS REQUIRE MAGTROL BLOWER PACKAGE BL-002 OR BL-002-A TO BE USED WITH THE BRAKE.

BRAKE MODEL	BLOWER	
	MODEL	VOLTAGE
BHB-24B	BL-002	120Vac
BHB-24BA	BL-002-A	240Vac
BHB-24	NOT INCLUDED	

BHB-□□  
 Blank = Brake Only (No Blower)  
 B = 120V Blower & Pipe Assemblies  
 BA = 240V Blower & Pipe Assemblies  
 Min Torque Rating  
 Model Series

KINETIC POWER RATINGS  
 ARE PRELIMINARY



BHB-24

BHB-24B  
 BHB-24BA

6	505846	HOSE CLAMP, Ø1-9/16" TO Ø2-1/2"	-	2	2
5	183539	CONNECTION PIPE ASSY, REAR MOUNT	-	1	1
4	183443	CONN PIPE ASSY, 800 SERIES	-	1	1
3	BL-002-A	BLOWER ASSEMBLY, 240 VAC	-	-	1
2	BL-002	BLOWER ASSEMBLY, 120 VAC	-	1	-
1	BHB-24	BLOWER COOLED BRAKE, 24Nm (BRAKE ONLY)	1	1	1
ITEM NO.	PART NUMBER	DESCRIPTION	BHB-24 QTY.	BHB-24B QTY.	BHB-24BA QTY.

MATERIAL:	DESIGN	AJC	04/14/2014
	DRAWN	AJC	04/14/2014
FINISH:	CHECKED	JEF	07/14/2014

**MAGTROL INC.**  
 70 GARDENVILLE PKWY, W.  
 BUFFALO, NEW YORK 14224-1322

THIRD ANGLE PROJECTION

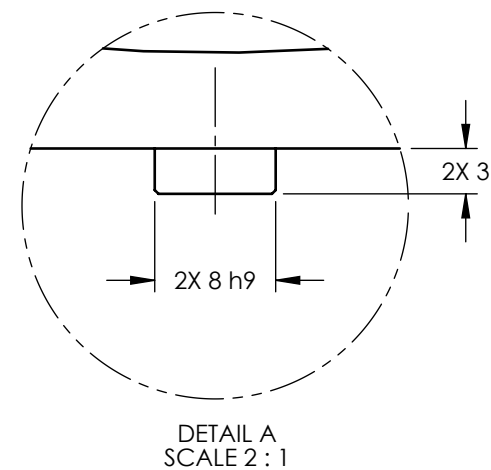
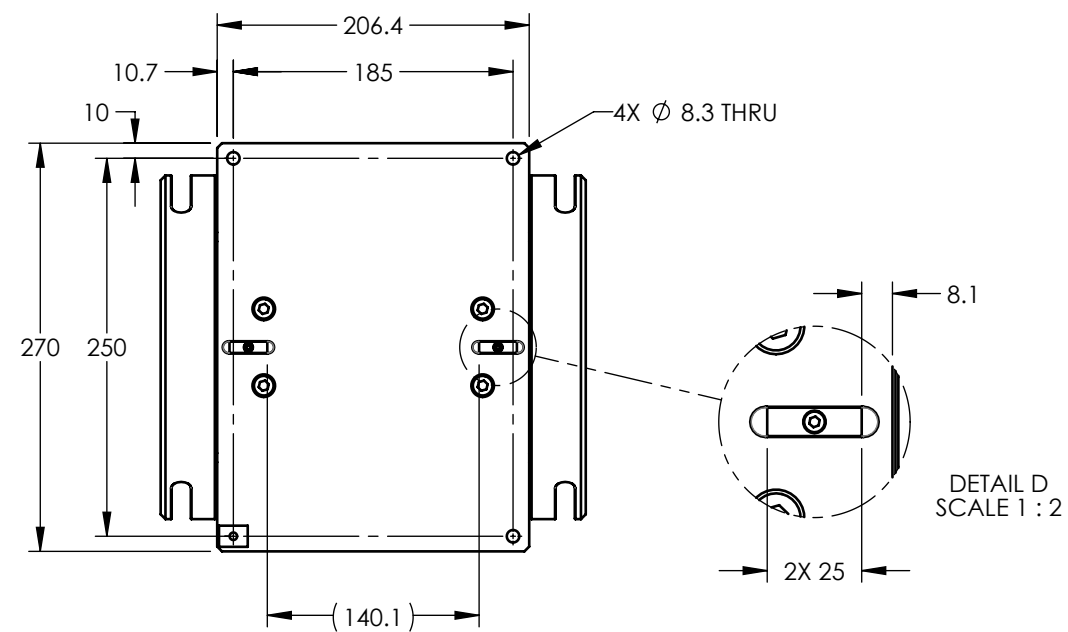
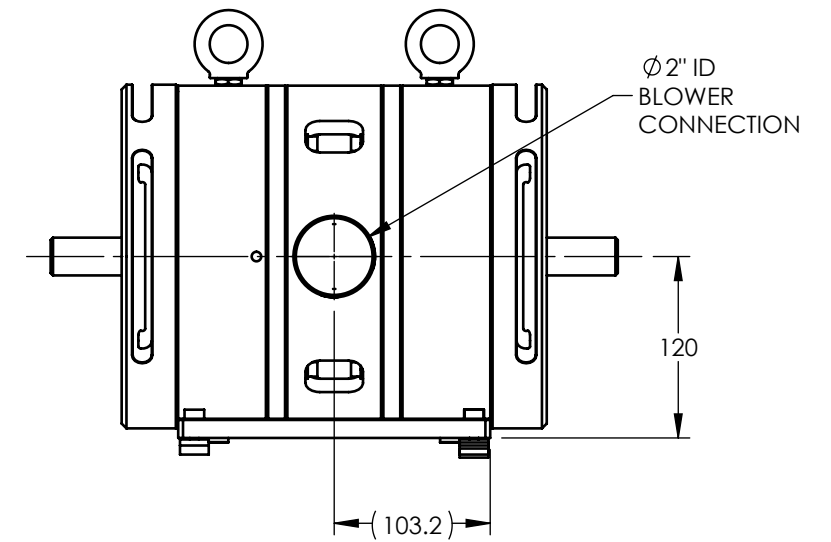
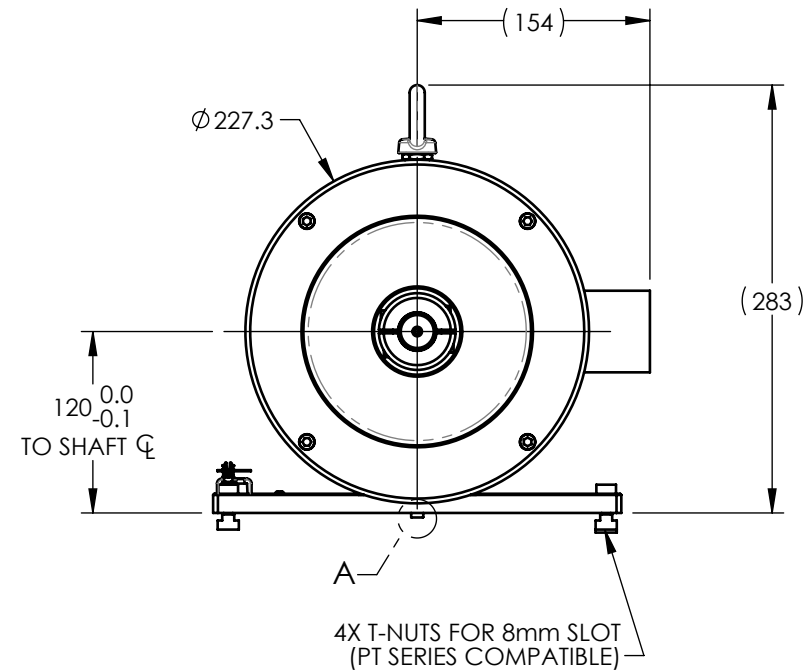
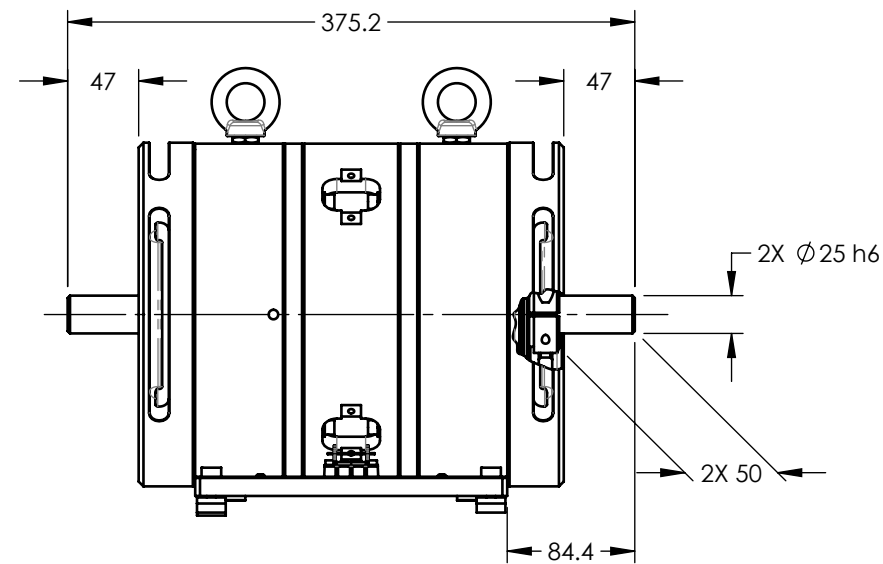
UNLESS OTHERWISE SPECIFIED:  
 DIMENSIONS ARE IN MILLIMETERS  
 DIAMETERS CONCENTRIC: .08 TIR  
 FACES PERPENDICULAR: .08  
 INTERPRETATION PER ASME Y14.5M-1994  
 REMOVE ALL BURRS AND BREAK SHARP EDGES 0.13/0.25 X 45°  
 INSIDE CORNERS TO BE R 0.5 MAX  
 TOLERANCES:  
 .X ± .25 X ± .4  
 .XX ± .13 X° ± 1°  
 SURFACE FINISH 3.2 µm MAX

THIS DRAWING AND SPECIFICATION CONTAINS PROPRIETARY INFORMATION TO MAGTROL INC. ANY DISCLOSURE OR REPRODUCTION OF THIS DOCUMENT WITHOUT WRITTEN AUTHORIZATION FROM MAGTROL INC. IS EXPRESSLY PROHIBITED


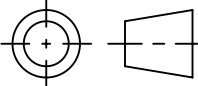
TITLE:  
**BLOWER COOLED BRAKE ASSEMBLY, 24Nm**

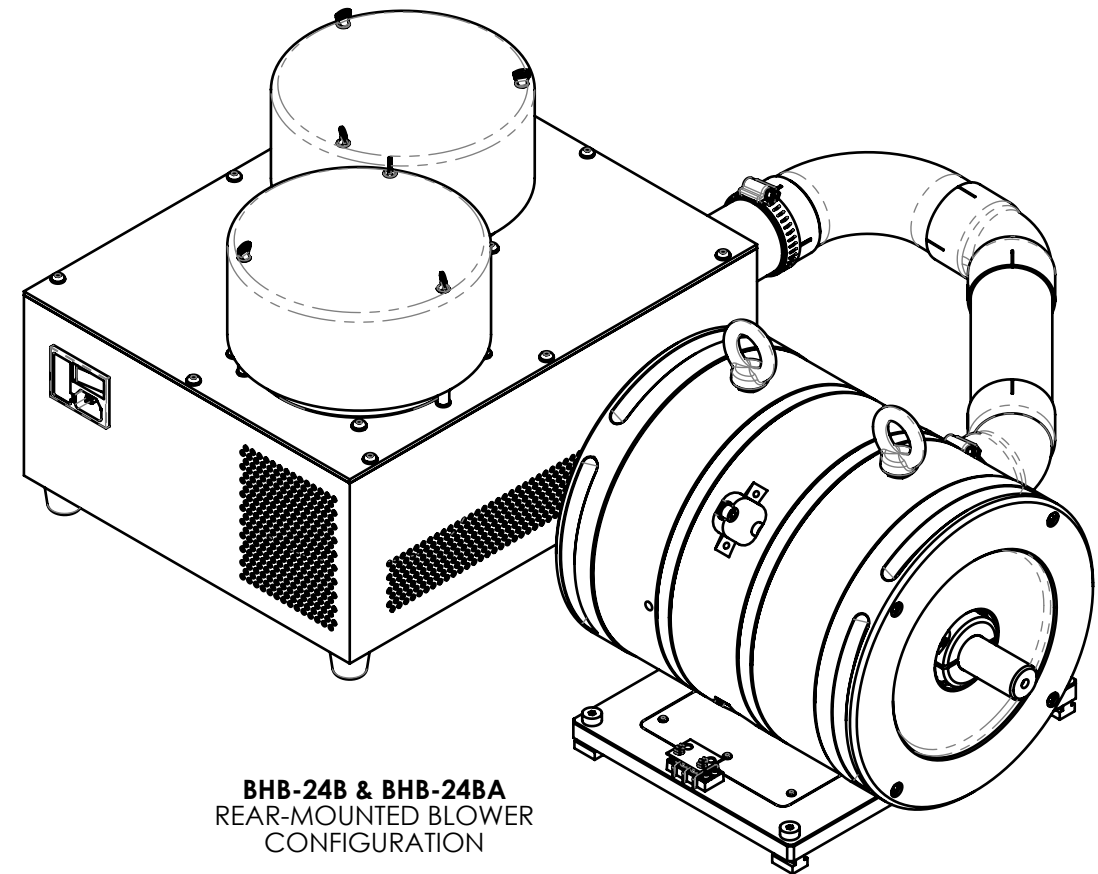
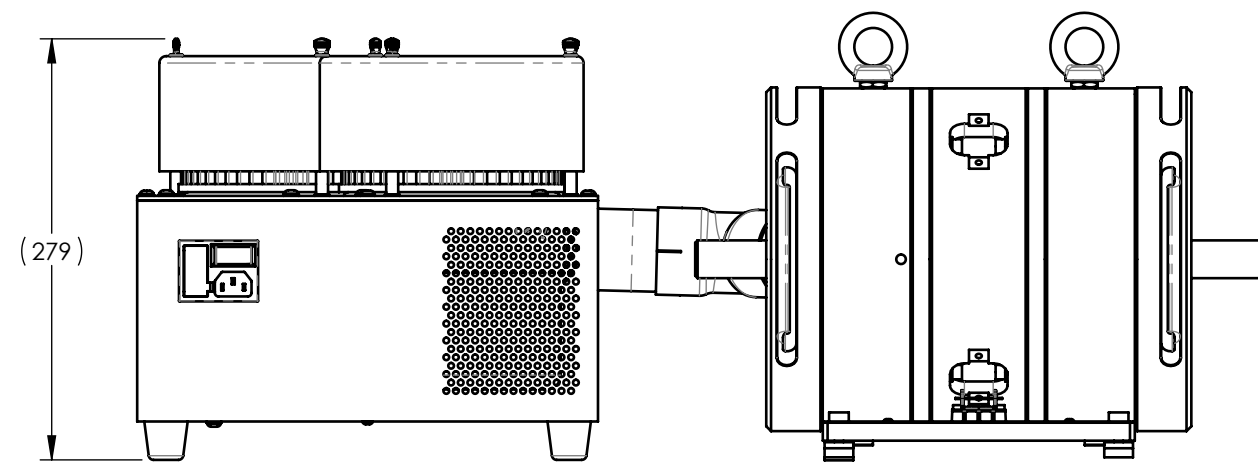
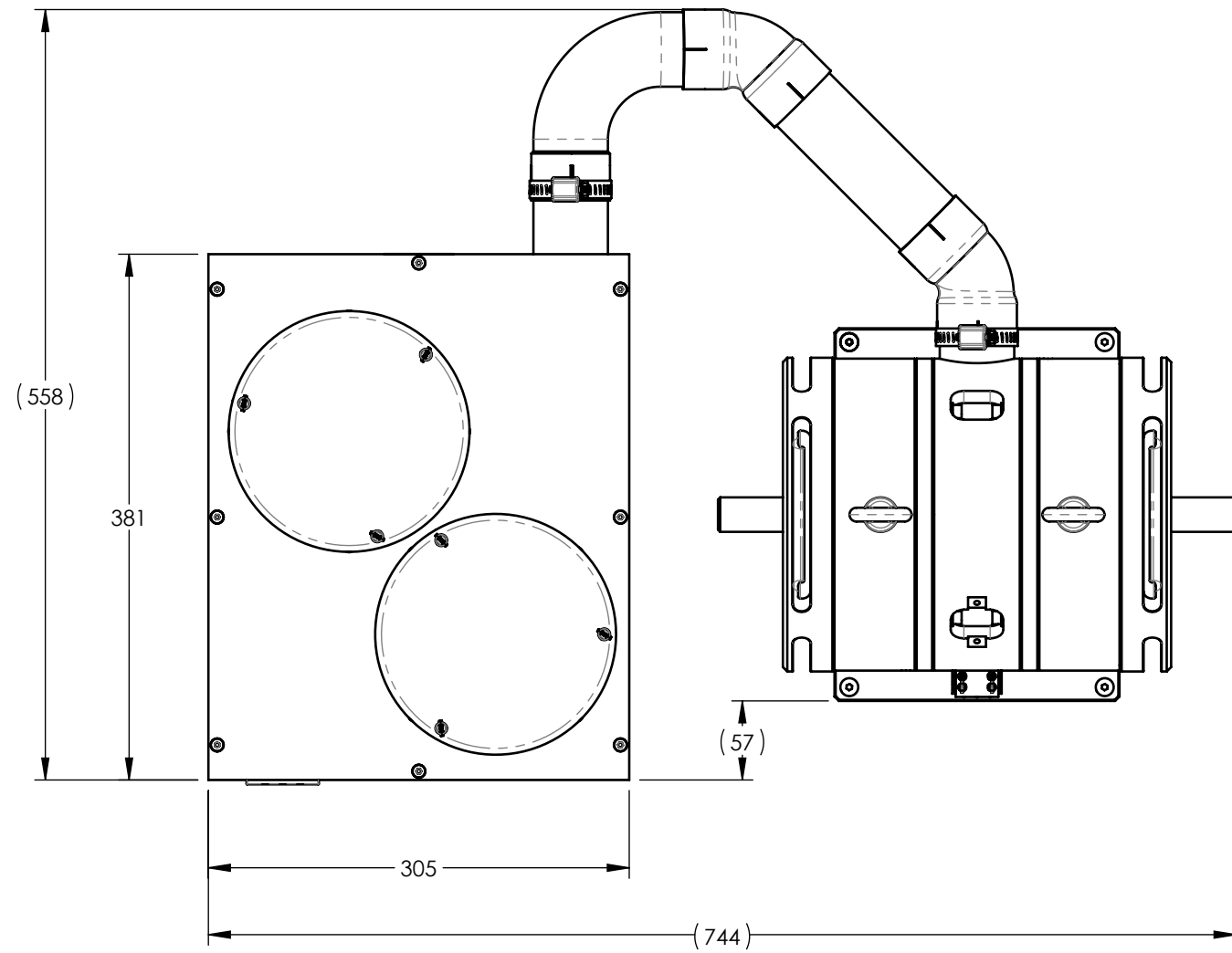
USED ON: -  
 SIMILAR TO: -  
 DWG NO: **BHB-24i** REV **E**

SIZE **B** SCALE **1:5** SHEET # **1 OF 4**


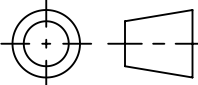


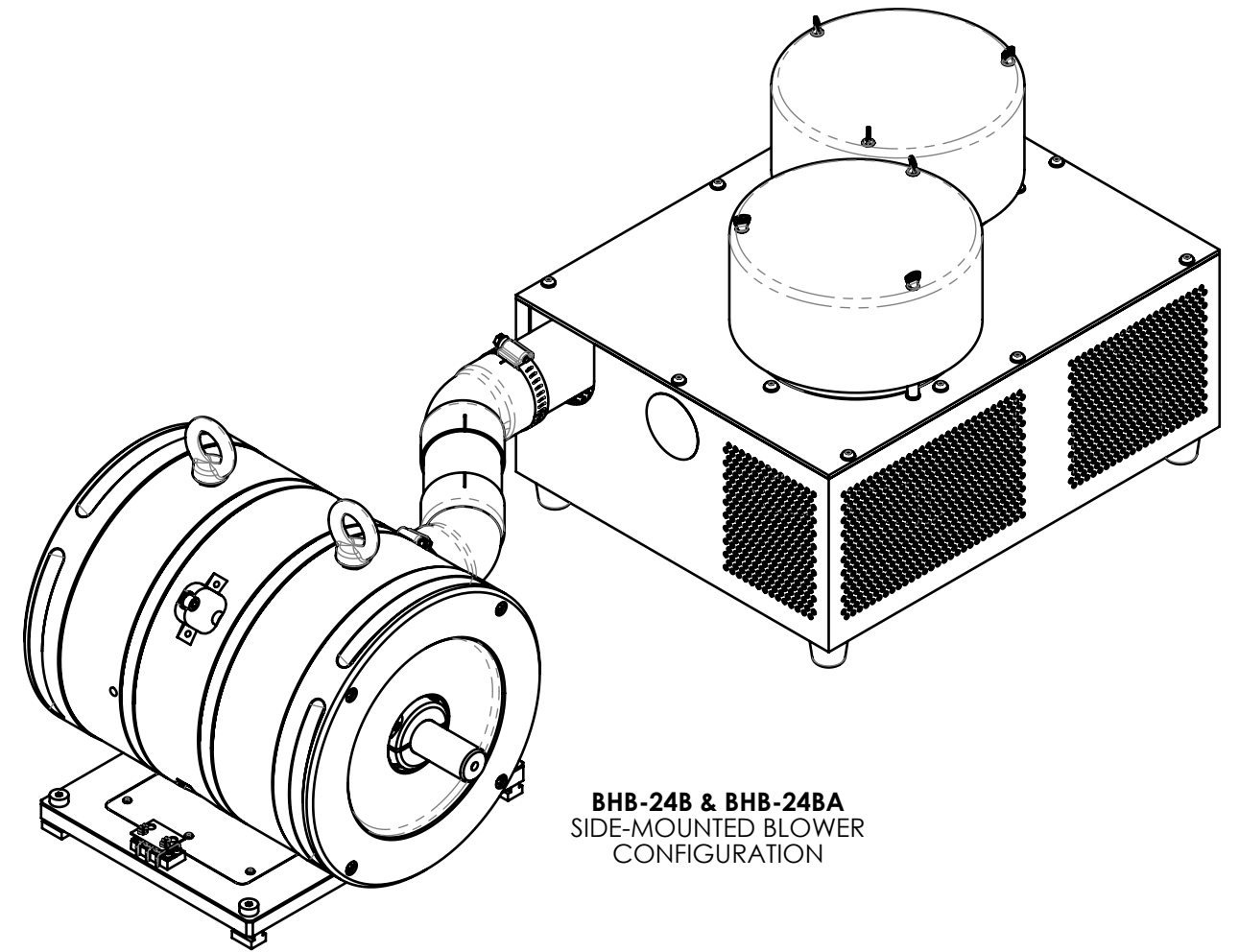
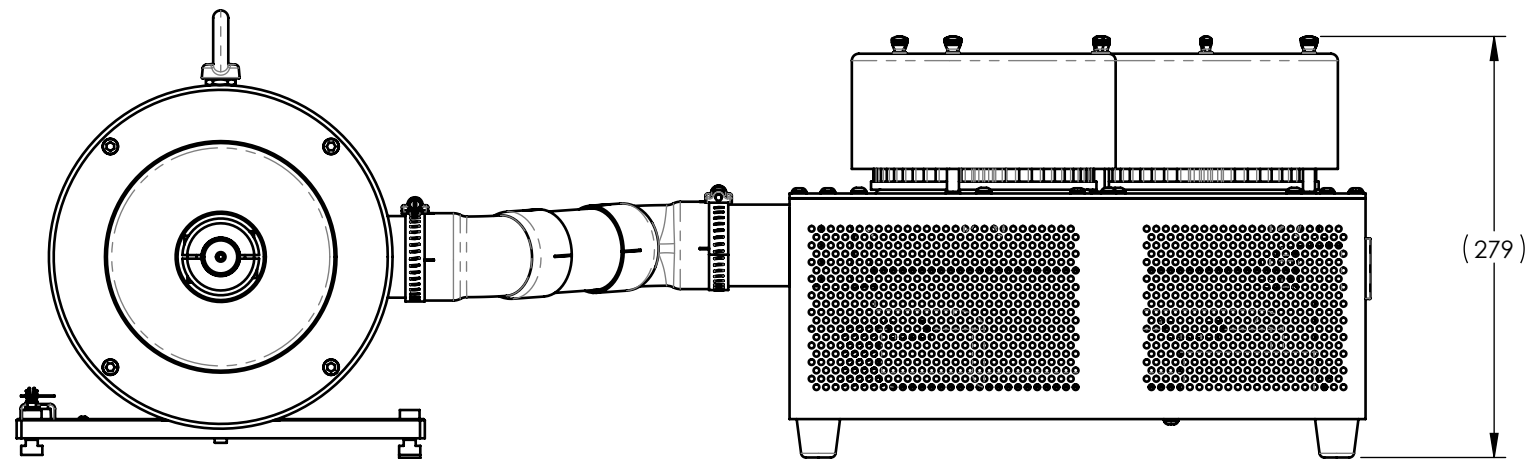
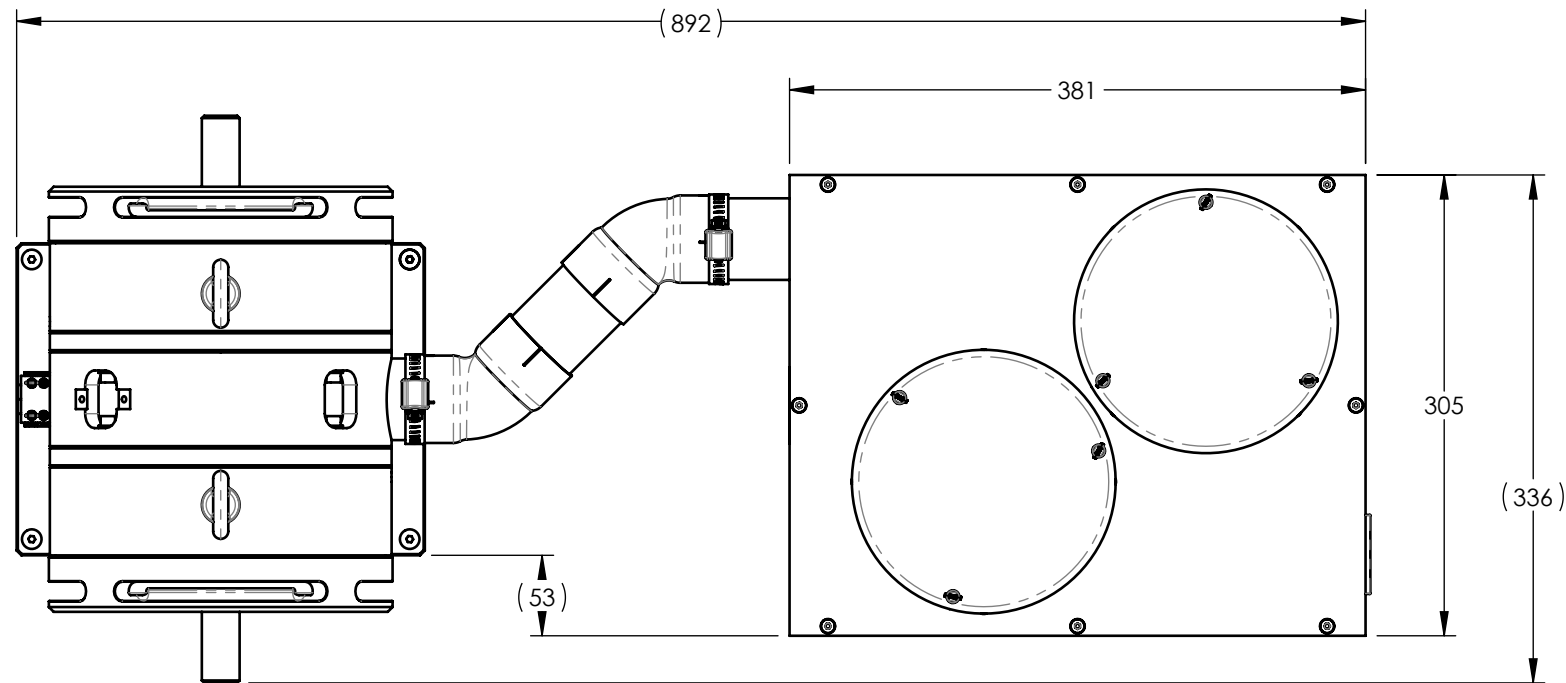
**BHB-24, BHB-24B, & BHB-24BA**  
BRAKE DIMENSIONS

MATERIAL: -	DESIGN	AJC	04/14/2014	 <b>MAGTROL INC.</b> 70 GARDENVILLE PKWY, W. BUFFALO, NEW YORK 14224-1322
	DRAWN	AJC	04/14/2014	
FINISH: -	CHECKED	JEF	07/14/2014	TITLE: <b>BLOWER COOLED BRAKE ASSEMBLY, 24Nm</b>  USED ON: - SIMILAR TO: - DWG NO:
	THIRD ANGLE PROJECTION 			
THIS DRAWING AND SPECIFICATION CONTAINS PROPRIETARY INFORMATION TO MAGTROL INC. ANY DISCLOSURE OR REPRODUCTION OF THIS DOCUMENT WITHOUT WRITTEN AUTHORIZATION FROM MAGTROL INC. IS EXPRESSLY PROHIBITED				REV <b>E</b>
UNLESS OTHERWISE SPECIFIED: DIMENSIONS ARE IN MILLIMETERS DIAMETERS CONCENTRIC: .08 TIR FACES PERPENDICULAR: .08 INTERPRETATION PER ASME Y14.5M-1994 REMOVE ALL BURRS AND BREAK SHARP EDGES 0.13/0.25 X 45° INSIDE CORNERS TO BE R 0.5 MAX TOLERANCES: .X ± .25      X ± .4 .XX ± .13    X° ± 1° SURFACE FINISH 3.2 µm MAX		SIZE <b>B</b>	SCALE <b>1:5</b>	SHEET # <b>2 OF 4</b>


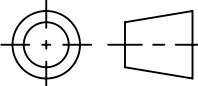


**BHB-24B & BHB-24BA**  
REAR-MOUNTED BLOWER  
CONFIGURATION

MATERIAL:	-	DESIGN	AJC	04/14/2014	 <b>MAGTROL INC.</b> 70 GARDENVILLE PKWY, W. BUFFALO, NEW YORK 14224-1322
FINISH:	-	DRAWN	AJC	04/14/2014	
		CHECKED	JEF	07/14/2014	
THIRD ANGLE PROJECTION		UNLESS OTHERWISE SPECIFIED: DIMENSIONS ARE IN MILLIMETERS DIAMETERS CONCENTRIC: .08 TIR FACES PERPENDICULAR: .08 INTERPRETATION PER ASME Y14.5M-1994 REMOVE ALL BURRS AND BREAK SHARP EDGES 0.13/0.25 X 45° INSIDE CORNERS TO BE R 0.5 MAX TOLERANCES: .X ± .25      X ± .4 .XX ± .13     X° ± 1° SURFACE FINISH 3.2 μm MAX			TITLE: <b>BLOWER COOLED BRAKE          ASSEMBLY, 24Nm</b>
THIS DRAWING AND SPECIFICATION CONTAINS PROPRIETARY INFORMATION TO MAGTROL INC. ANY DISCLOSURE OR REPRODUCTION OF THIS DOCUMENT WITHOUT WRITTEN AUTHORIZATION FROM MAGTROL INC. IS EXPRESSLY PROHIBITED					USED ON: - SIMILAR TO: - DWG NO: <div style="display: flex; justify-content: space-between;"> <span><b>BHB-24i</b></span> <span>REV E</span> </div>
		SIZE	SCALE	SHEET #	
		<b>B</b>	1:5	3 OF 4	



**BHB-24B & BHB-24BA**  
SIDE-MOUNTED BLOWER  
CONFIGURATION

MATERIAL: -	DESIGN	AJC	04/14/2014	 <b>MAGTROL INC.</b> 70 GARDENVILLE PKWY, W. BUFFALO, NEW YORK 14224-1322
	DRAWN	AJC	04/14/2014	
FINISH: -	CHECKED	JEF	07/14/2014	TITLE: <b>BLOWER COOLED BRAKE ASSEMBLY, 24Nm</b>
	THIRD ANGLE PROJECTION 			UNLESS OTHERWISE SPECIFIED: DIMENSIONS ARE IN MILLIMETERS DIAMETERS CONCENTRIC: .08 TIR FACES PERPENDICULAR: .08 INTERPRETATION PER ASME Y14.5M-1994 REMOVE ALL BURRS AND BREAK SHARP EDGES 0.13/0.25 X 45° INSIDE CORNERS TO BE R 0.5 MAX TOLERANCES: .X ± .25      X ± .4 .XX ± .13    X° ± 1° SURFACE FINISH 3.2 μm MAX
THIS DRAWING AND SPECIFICATION CONTAINS PROPRIETARY INFORMATION TO MAGTROL INC. ANY DISCLOSURE OR REPRODUCTION OF THIS DOCUMENT WITHOUT WRITTEN AUTHORIZATION FROM MAGTROL INC. IS EXPRESSLY PROHIBITED				USED ON: - SIMILAR TO: - DWG NO: <b>BHB-24i</b> REV <b>E</b>
SIZE <b>B</b>	SCALE <b>1:5</b>	SHEET # <b>4 OF 4</b>		