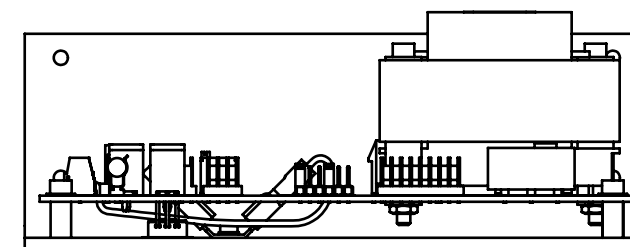
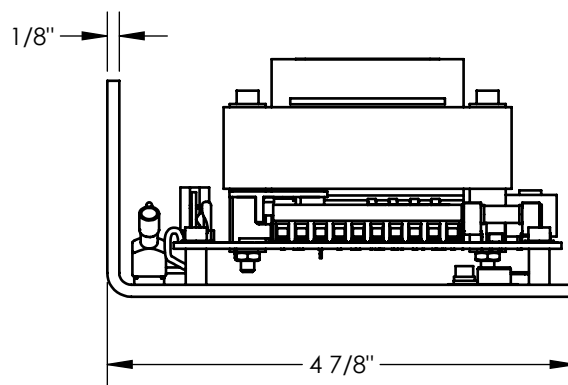
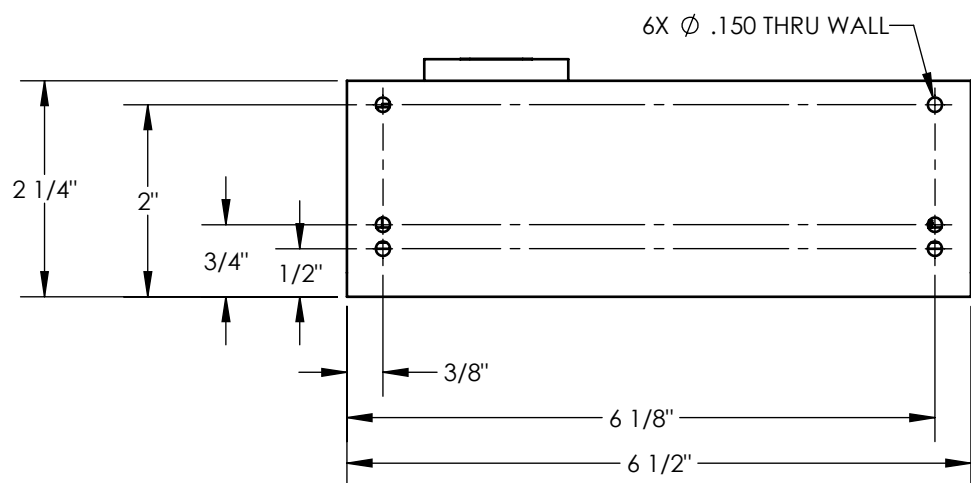
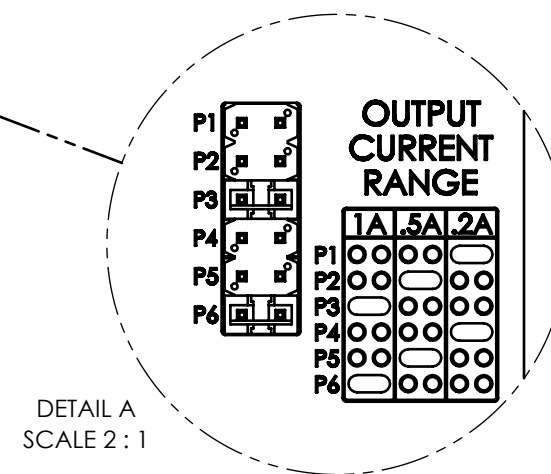
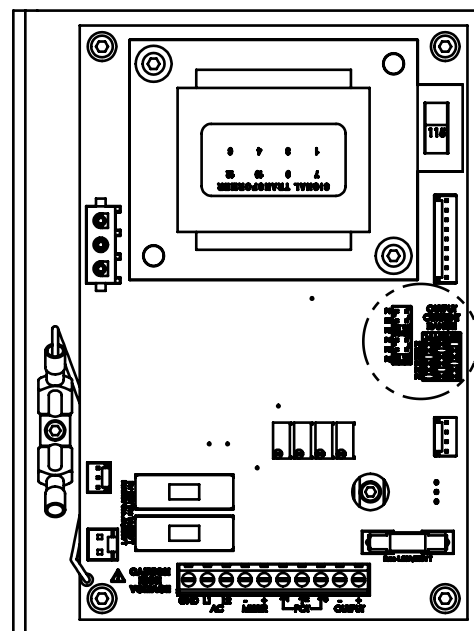
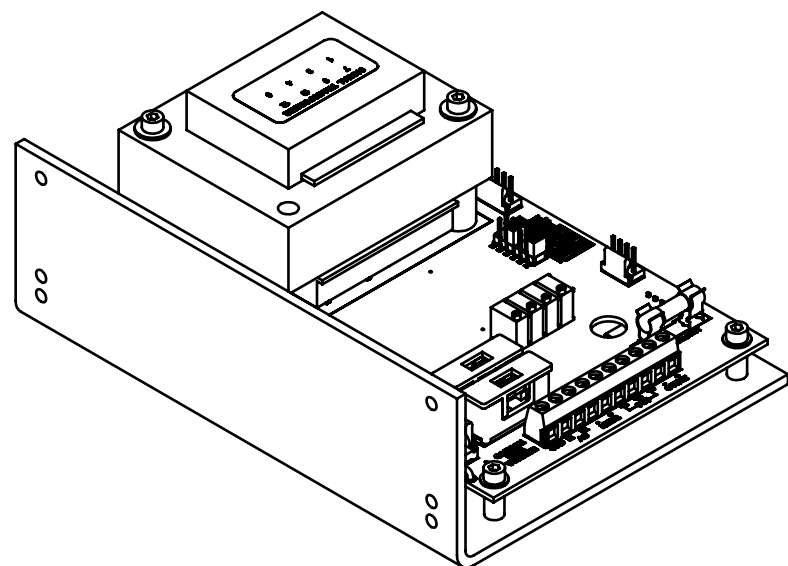

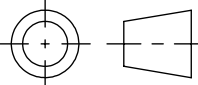


MODEL	STOCK CODE	INPUT VOLTAGE (VAC)	OUTPUT VOLTAGE (VDC)	FUSE INFORMATION
5251-2	007244	115	(24)	1A, 250V, 5x20mm, T, IEC
5251-2A	007246	230	(24)	400mA, 250V, 5x20mm, T, IEC

SOLID MODEL AVAILABLE



INSTALLATION DRAWING

MATERIAL: -	DESIGN -	-	 MAGTROL INC. 70 GARDENVILLE PKWY, W. BUFFALO, NEW YORK 14224-1322
FINISH: -	DRAWN AJC	08/13/15	
THIRD ANGLE PROJECTION 	CHECKED JEF	08/13/15	TITLE: POWER SUPPLY
THIS DRAWING AND SPECIFICATION CONTAINS PROPRIETARY INFORMATION TO MAGTROL INC. ANY DISCLOSURE OR REPRODUCTION OF THIS DOCUMENT WITHOUT WRITTEN AUTHORIZATION FROM MAGTROL INC. IS EXPRESSLY PROHIBITED	UNLESS OTHERWISE SPECIFIED: DIMENSIONS ARE IN INCHES DIAMETERS CONCENTRIC: .003 TIR FACES PERPENDICULAR: .003 INTERPRETATION PER ASME Y14.5M-1994 REMOVE ALL BURRS AND BREAK SHARP EDGES .005/.010 X 45° INSIDE CORNERS TO BE R .02 MAX TOLERANCES: .XX ± .01 X/Y ± 1/64" .XXX ± .005 X° ± 1° SURFACE FINISH 125 RMS MAX		USED ON: - SIMILAR TO: - DWG NO: <div style="text-align: center; font-size: 1.2em;">5251</div>
			REV <div style="text-align: center; font-size: 1.2em;">A</div>
	SIZE B	SCALE 1:2	SHEET #