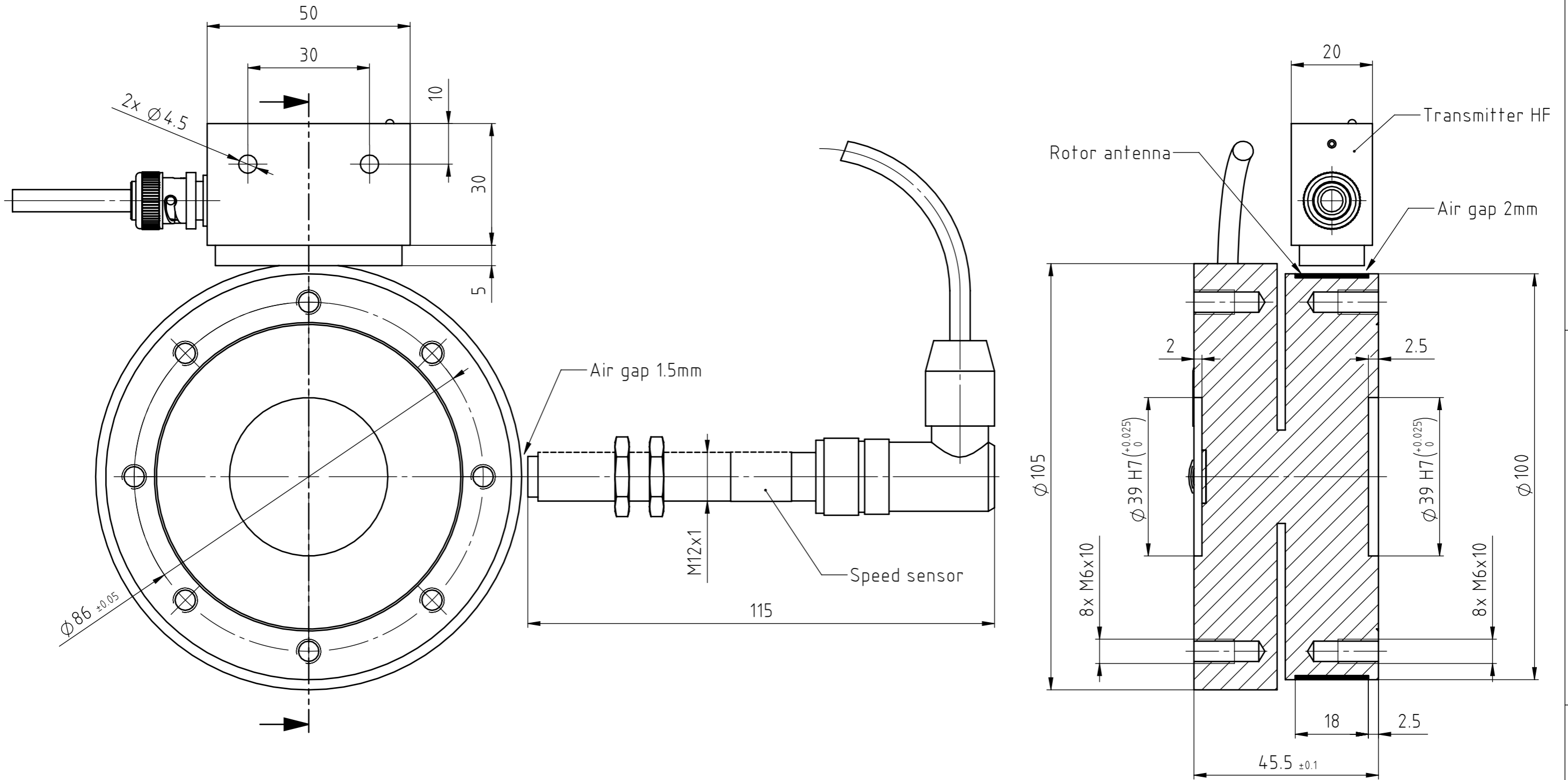


THE INFORMATION DISCLOSED HEREIN WAS ORIGINATED BY AND IS THE PROPERTY OF MAGTROL SA. MAGTROL SA RESERVES ALL PATENT PROPRIETARY, DESIGN, USE, SALE, MANUFACTURING AND REPRODUCTION RIGHTS THERETO.



Error of linearity: 0.1%  
 Maximum torque: 200% of nominal  
 Maximum speed: 17'000 rpm  
 Sensitivity: 0.6mV/V => TF 309  
 0.8mV/V => TF 310-312  
 Strain gauge bridge: 700Ω  
 Rated temperature range: +10°C to + 85°C  
 Storage temperature range: -20°C to + 85°C  
 Protection class: IP42

6									
5									
4									
3									
2									
1									
Rev.	Date	PM	Drawn	Appr.	Repl. by :				
					Repl. for :				
Tolerances: ±					mm to 50mm, ±	mm over 50mm			
Material:									
Finish:									
TF309 (20Nm), TF310 (50Nm), TF311 (100Nm), TF312 (200Nm)					DRAWING N°				
Torque Flange TF300					425-310-000V011				

Scale 1:1
 

Drawn	15.04.2011	ajoy
Checked	15.04.2011	acot
Approved	15.04.2011	blot