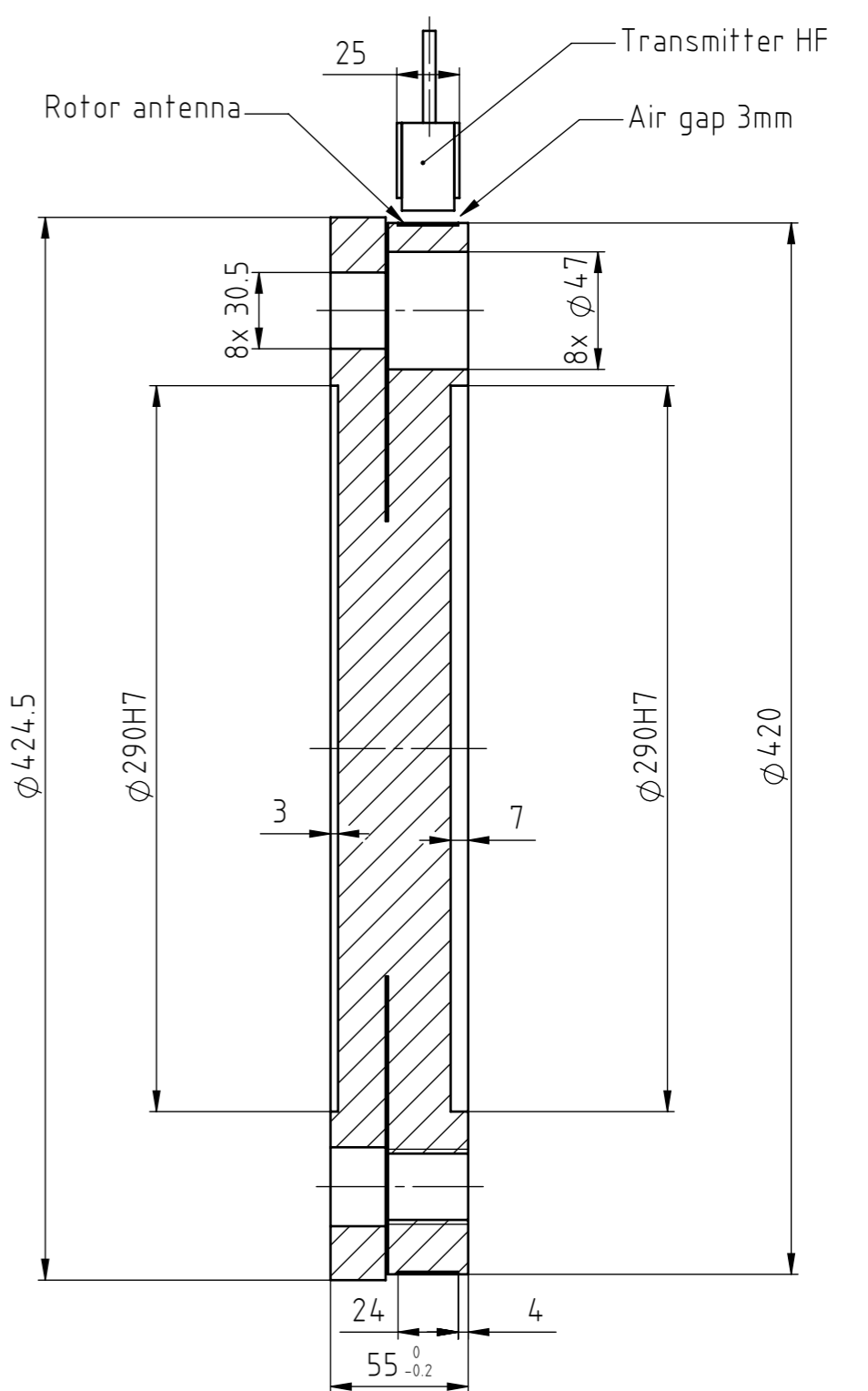
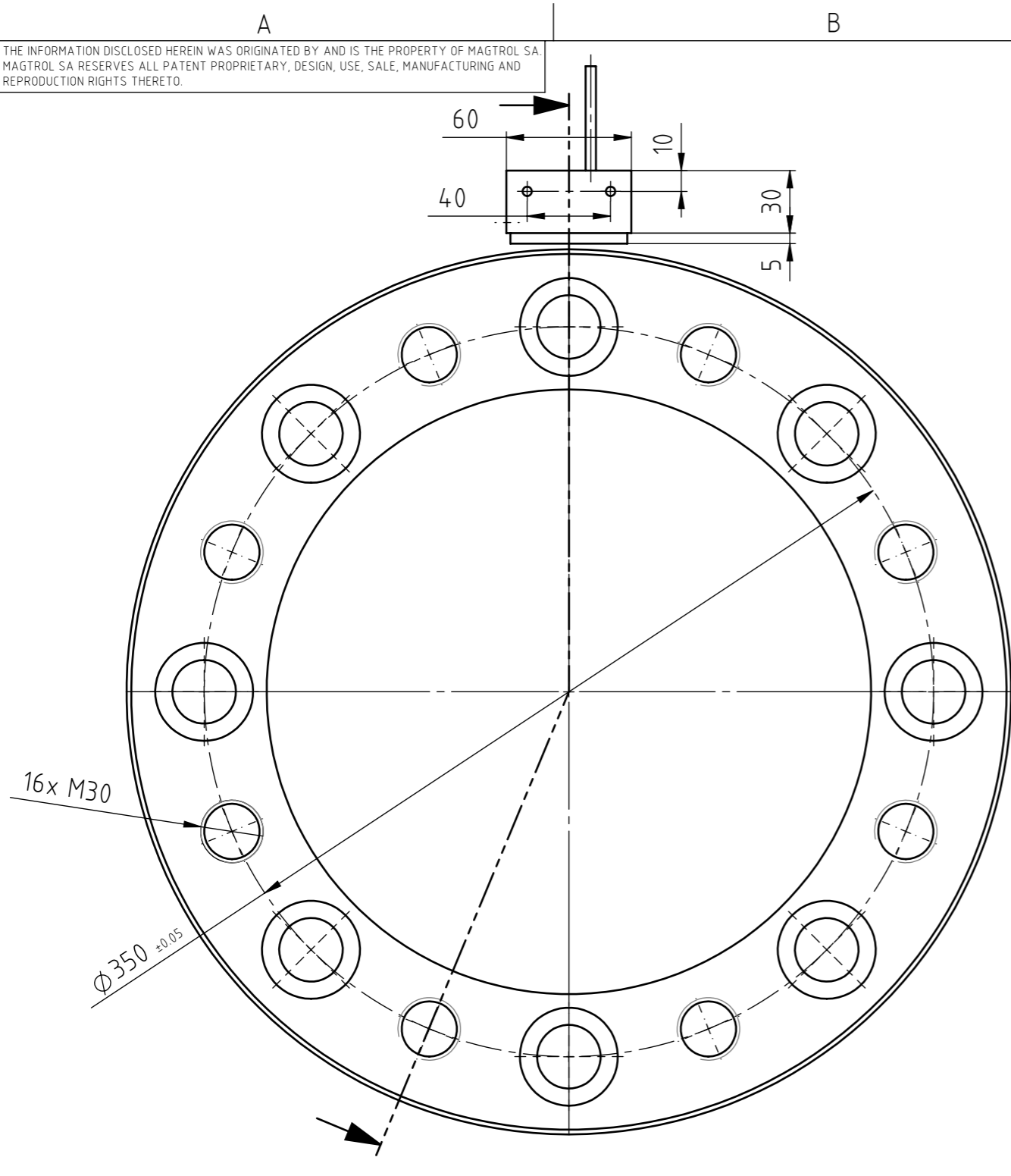


THE INFORMATION DISCLOSED HEREIN WAS ORIGINATED BY AND IS THE PROPERTY OF MAGTROL SA. MAGTROL SA RESERVES ALL PATENT PROPRIETARY, DESIGN, USE, SALE, MANUFACTURING AND REPRODUCTION RIGHTS THERETO.



Error of linearity: 0.25%  
 Maximum torque: 200% of nominal  
 Maximum speed: 1'500 rpm  
 Sensitivity: 1mV/V  
 Strain gauge bridge: 700 $\Omega$   
 Rated temperature range: +10°C to + 85°C  
 Storage temperature range: -25°C to + 85°C  
 Protection class: IP42

6					
5					
4					
3					
2					
1	14.04.08	08033	blot	blot	Changement de capteur de vitesse
Rev.	Date	PM	Drawn	Appr.	Repl. by :
					Repl. for:
Tolerances: $\pm$ mm to 50mm, $\pm$ mm over 50mm					
Material:					
Finish:					
TF218 (20kNm), TF219 (50kNm)					
Torque Flange TF200					
				Scale	1:10
				Drawn	20.10.04 B.Lottenbach
				Checked	
				Approved	20.10.04 B.Lottenbach
DRAWING N°					
425-218-000V011					