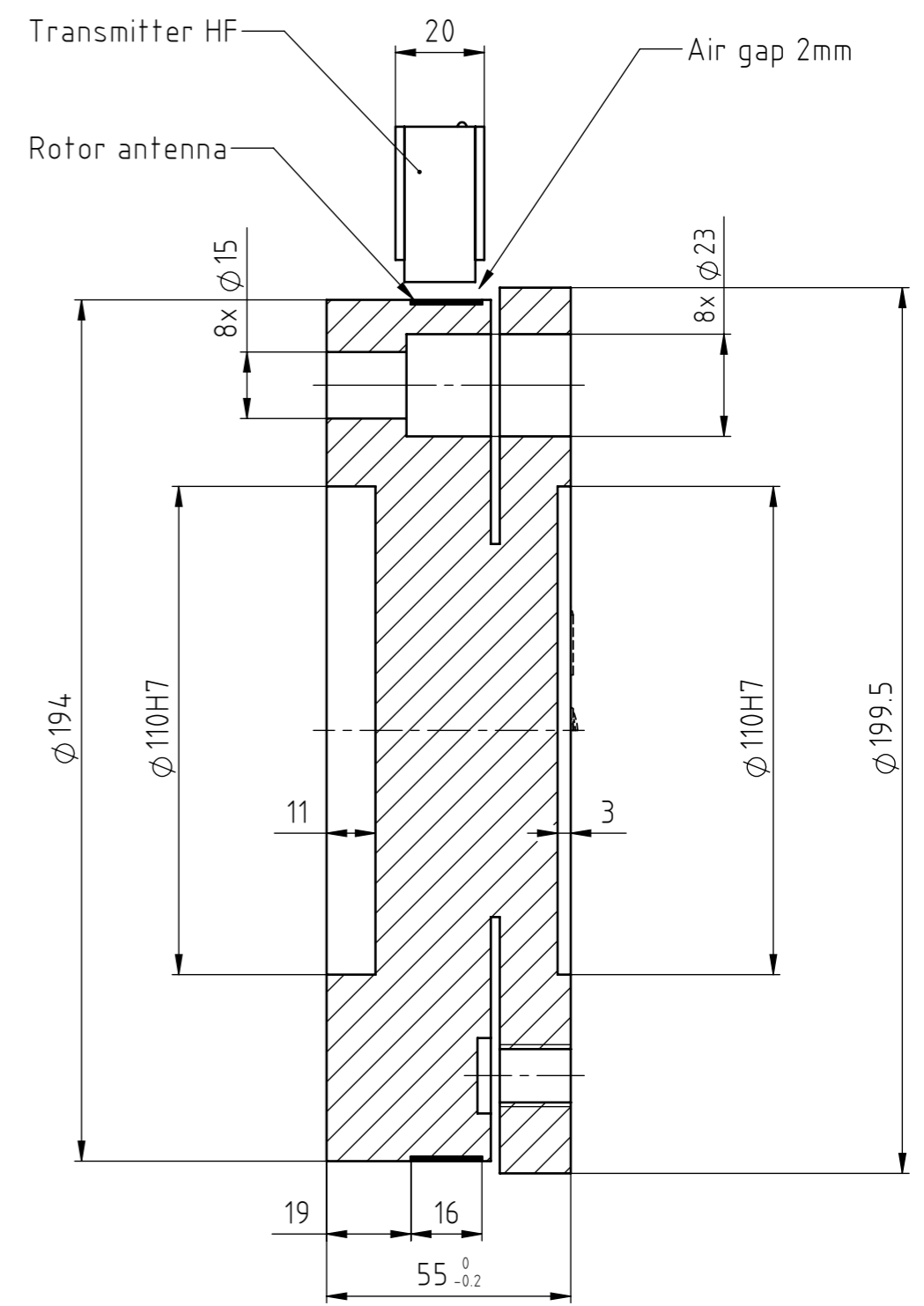
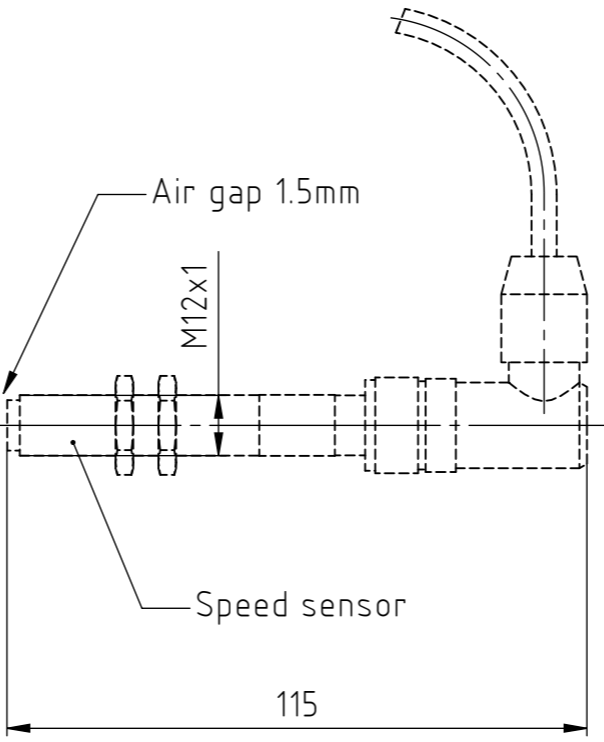
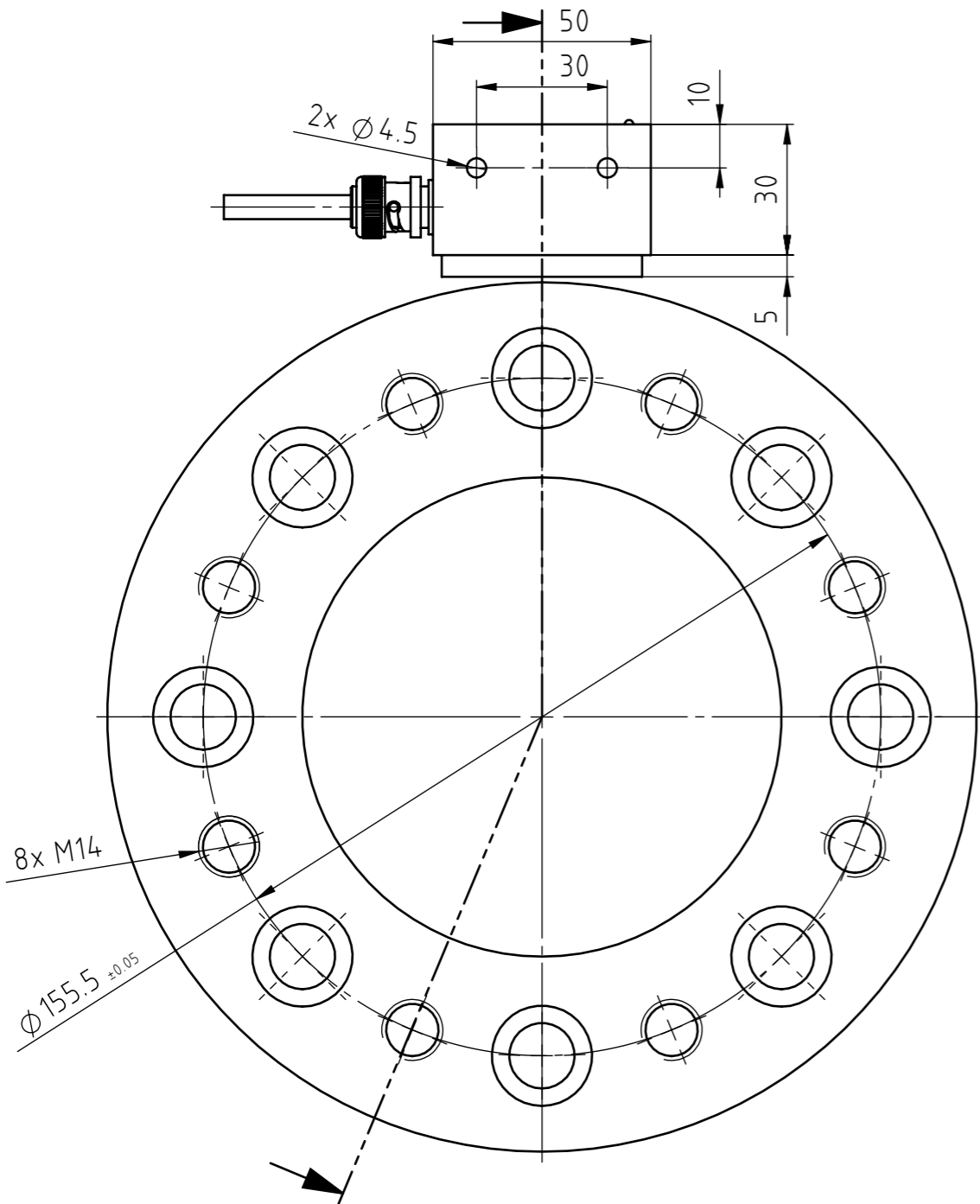


THE INFORMATION DISCLOSED HEREIN WAS ORIGINATED BY AND IS THE PROPERTY OF MAGTROL SA. MAGTROL SA RESERVES ALL PATENT PROPRIETARY, DESIGN, USE, SALE, MANUFACTURING AND REPRODUCTION RIGHTS THERETO.



Error of linearity: 0.1%  
 Maximum torque: 200% of nominal  
 Maximum speed: 8'000 rpm  
 Sensitivity: 1mV/V  
 Strain gauge bridge: 700Ω  
 Rated temperature range: +10°C to + 85°C  
 Storage temperature range: -25°C to + 85°C  
 Protection class: IP42

6							
5							
4							
3							
2	07.05.14	14040	blot	acot	Ø15 and Ø23 instead Ø14.2 and Ø21.5		
1	14.04.08	08033	blot	blot	Replacement of speed sensor		
Rev.	Date	PM	Drawn	Appr.	Repl. by :		
					Repl. for :		
Tolerances: ± . . mm to 50mm, ± . . mm over 50mm							
Material: . . . . .						Scale 1:1.5	
Finish: . . . . .							
TF216 (5kNm) Torque Flange TF200						DRAWING N°	
						425-216-000V013	

Drawn: 09.12.08 B. Lottenbach  
 Checked: . . . . .  
 Approved: 09.12.08 B. Lottenbach