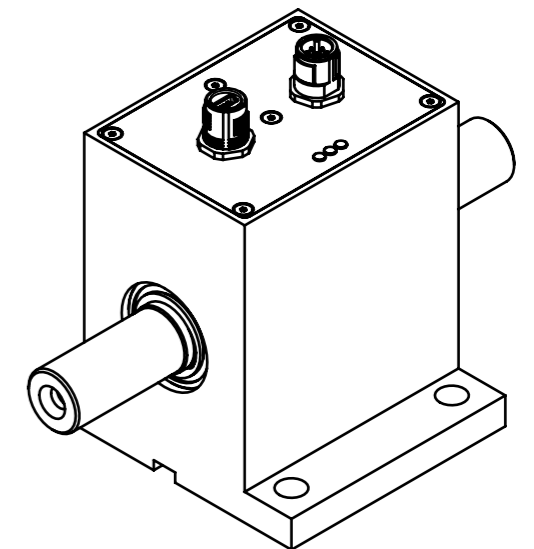
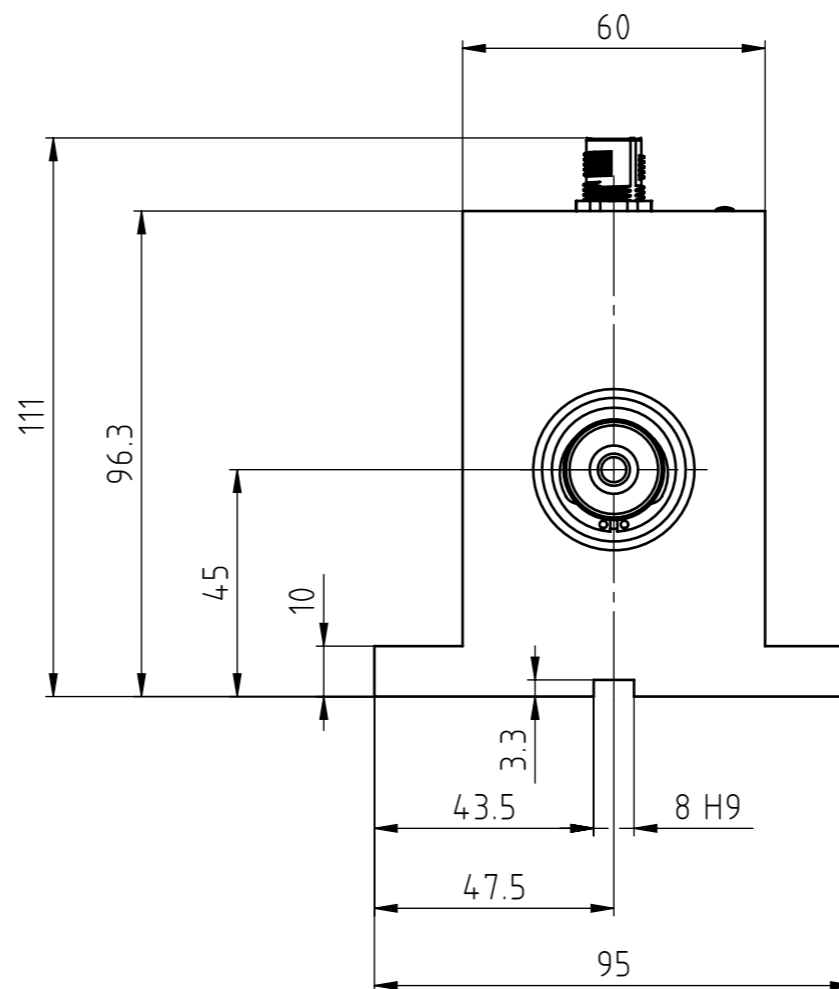
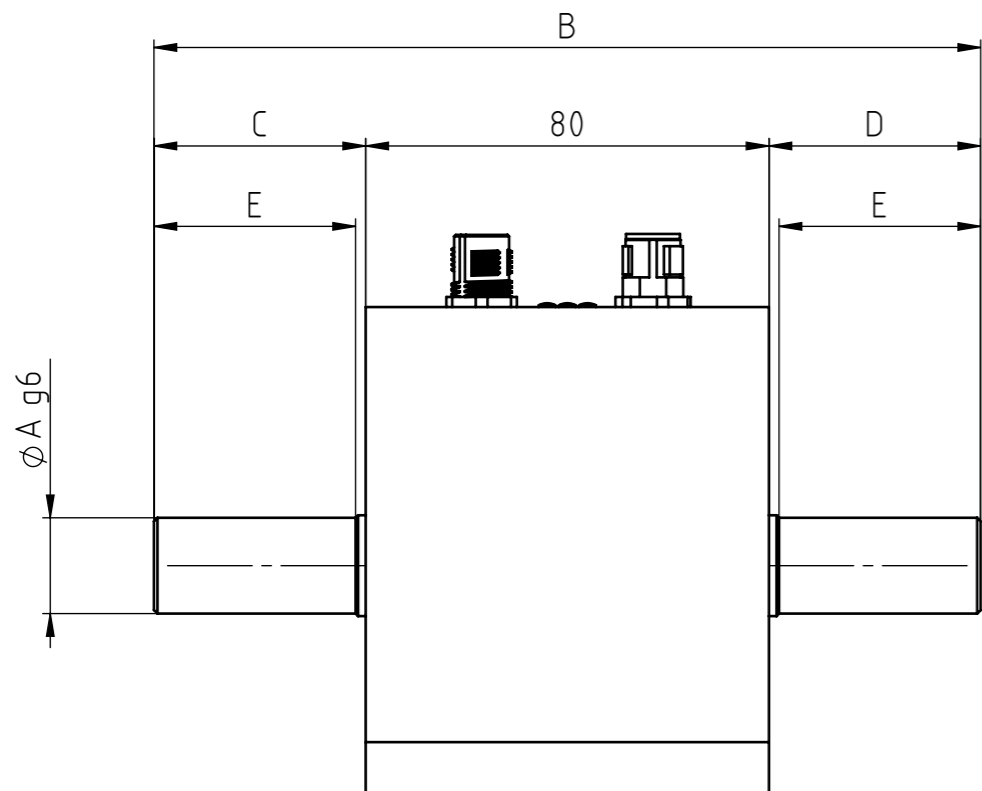
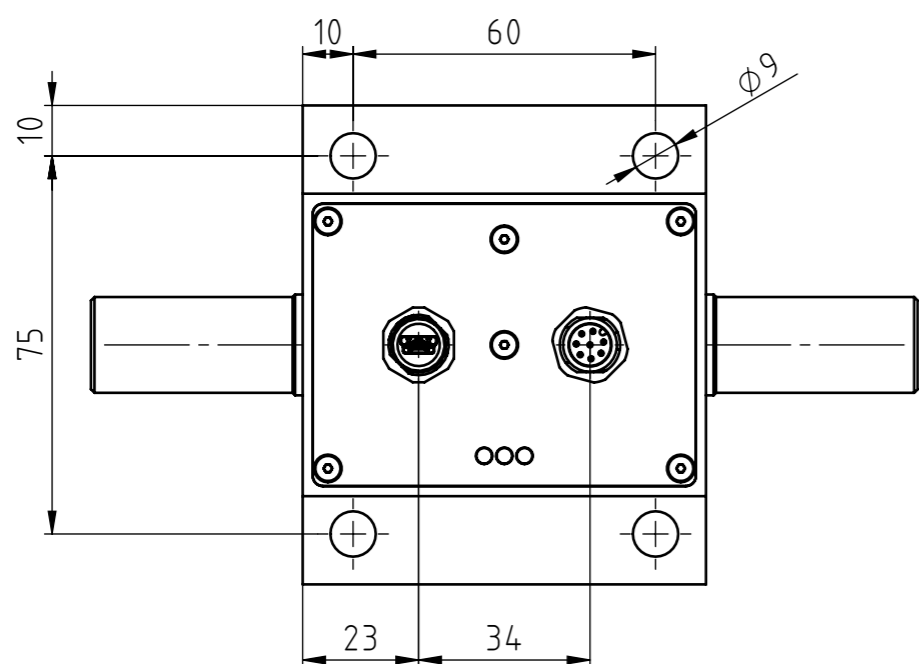


THE INFORMATION DISCLOSED HEREIN WAS ORIGINATED BY AND IS THE PROPERTY OF MAGTROL SA. MAGTROL SA RESERVES ALL PATENT PROPRIETARY, DESIGN, USE, SALE, MANUFACTURING AND REPRODUCTION RIGHTS THERETO.



Scale 1 : 2

TYPE TS	TORQUE [Nm]	ØA g6	B	C	D	E
TS109	20	18	134	27	27	25
TS110	50		154	37	37	35
TS111	100	19	164	42	42	40



6							
5							
4							
3							
2							
1	03.12.20	20071	Ajoy	Acot	For the ØA column, change of Ø for the TS 111. It goes from Ø18 to Ø19.		
Rev.	Date	PM	Drawn	Appr.	Repl. by : Repl. for: .		
Tolerances: ± . mm to 50mm, ± . mm over 50mm							
Material: .							Scale 1:1.5
Finish: .							Drawn 28.09.20 Acot Checked 28.09.20 Ajoy Approved 28.09.20 Jcat
TS109 ÷ TS111 Torque Sensor						DRAWING N° 424-109-000V011	