

THE INFORMATION DISCLOSED HEREIN WAS ORIGINATED BY AND IS THE PROPERTY OF MAGTROL SA. MAGTROL SA RESERVES ALL PATENT PROPRIETARY, DESIGN, USE, SALE, MANUFACTURING AND REPRODUCTION RIGHTS THERETO.

1

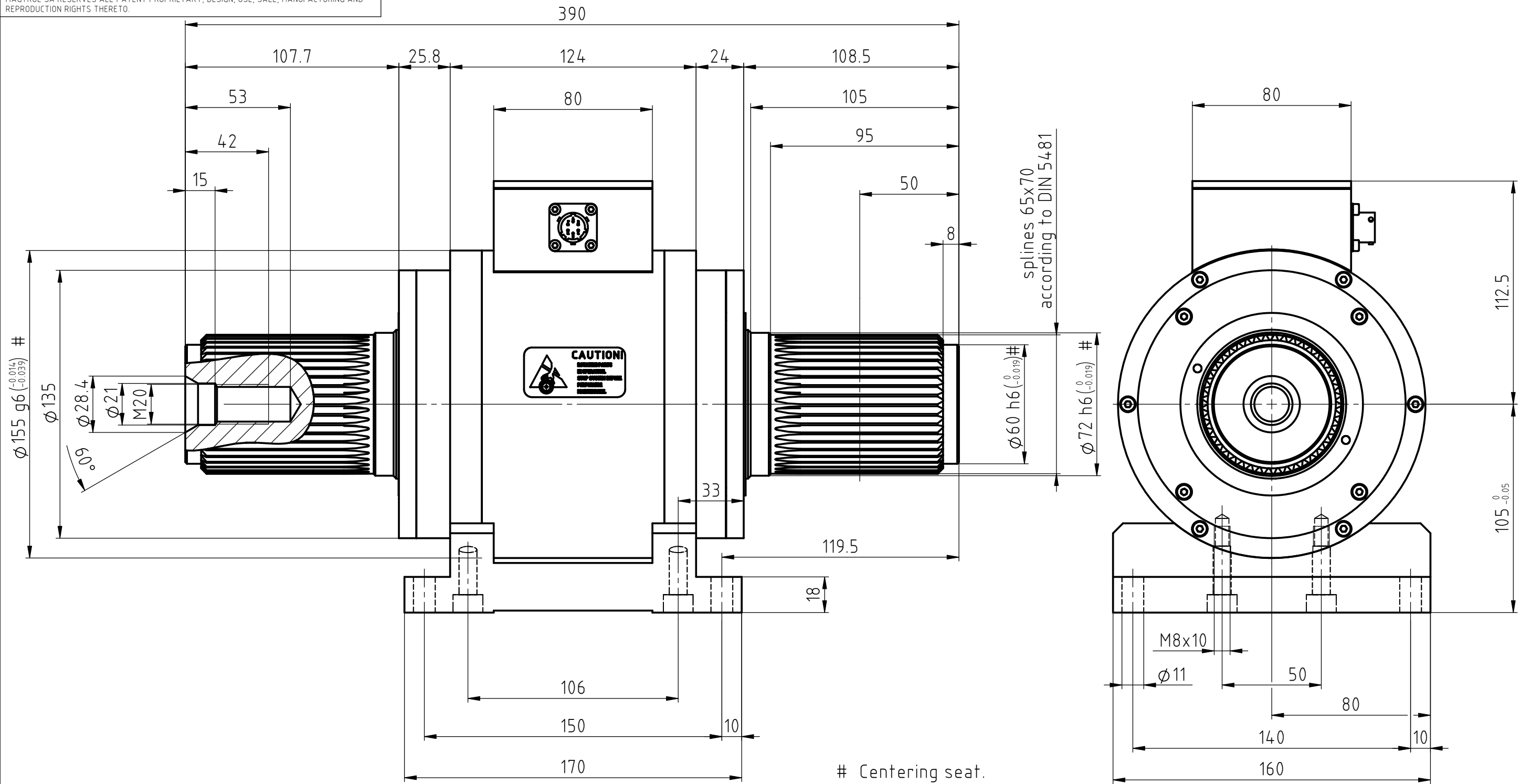
2

3

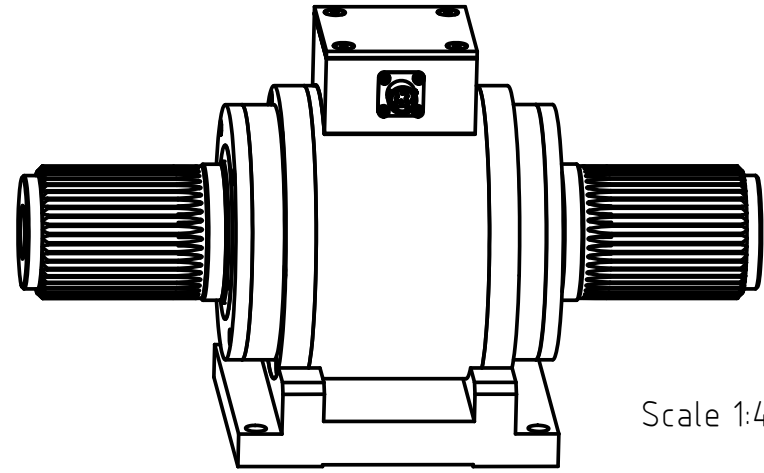
1

2

3



Centering seat.



Scale 1:4

6						
5						
4						
3						
2						
1						

Rev.	Date	PM	Drawn	Appr.	Repl. by :
					Repl. for:

Tolerances: \pm mm to 50mm, \pm mm over 50mm

Material:

Finish:



Scale	1:2	Drawn	09.12.04	J.Sottaz
		Checked		
		Approved	09.12.04	N.Buri

TORQUE TRANSDUCER TM 317
SPLINED SHAFT ENDS

DRAWING N°
415-317-000V021

A

B

C

D