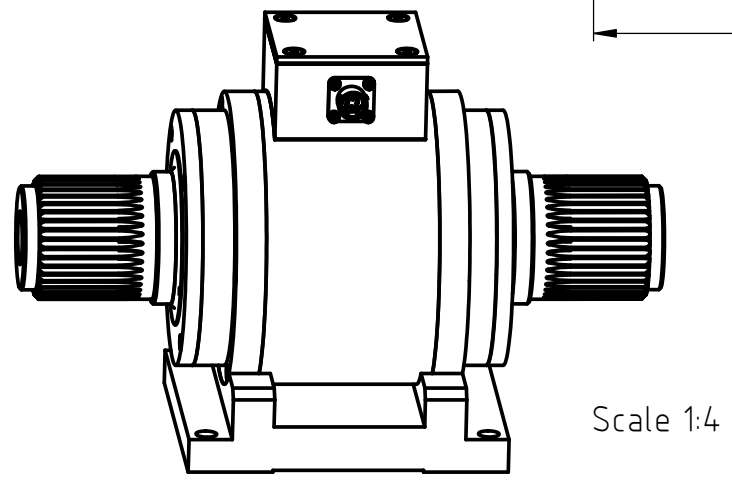
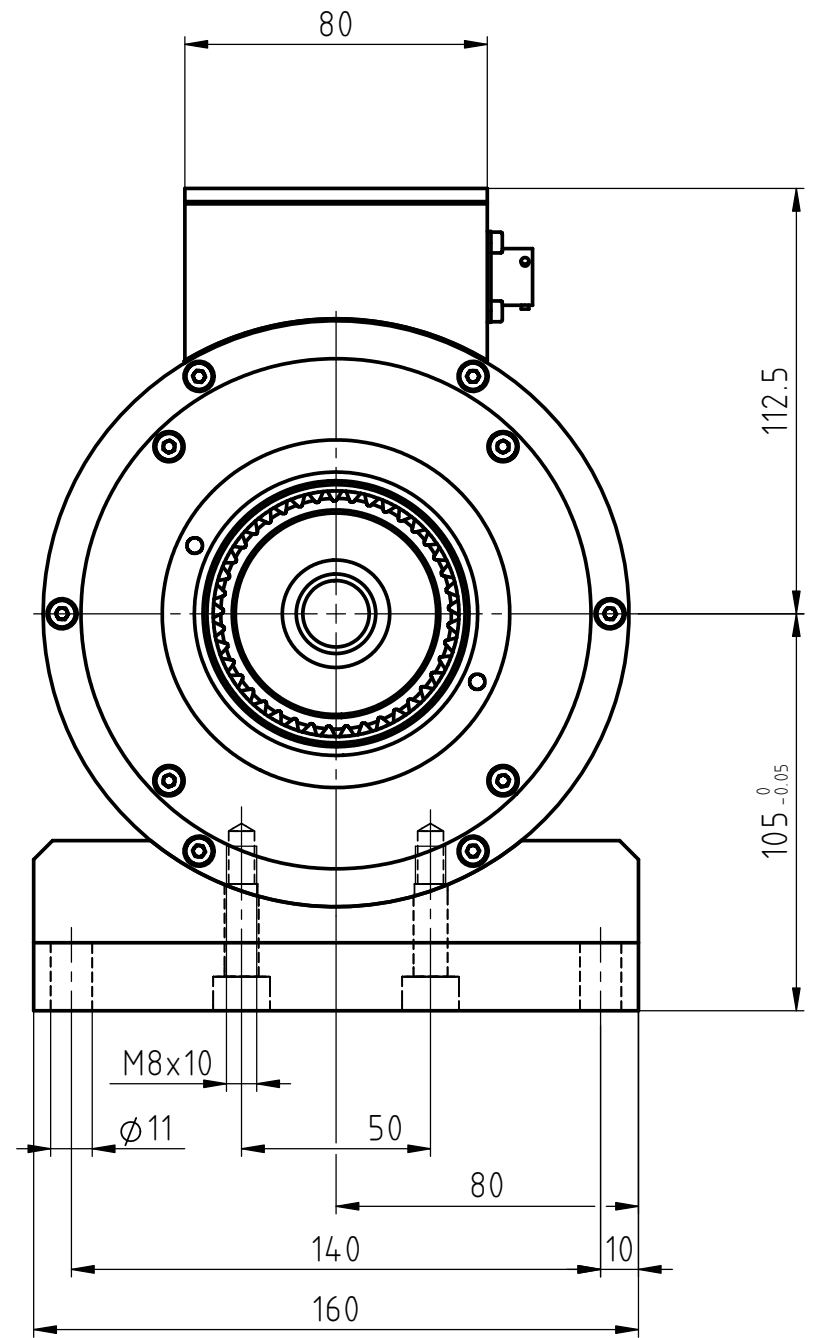
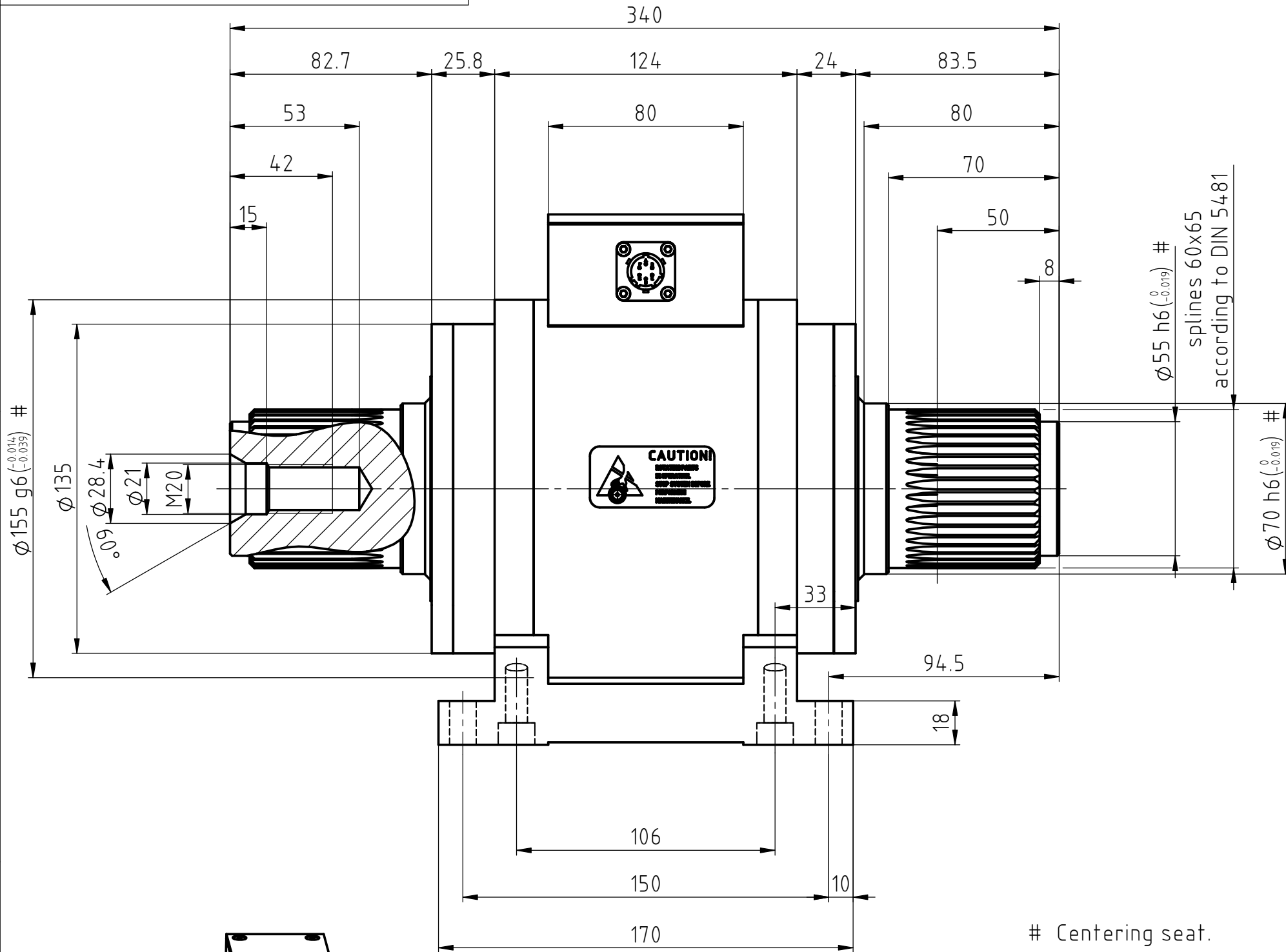


THE INFORMATION DISCLOSED HEREIN WAS ORIGINATED BY AND IS THE PROPERTY OF MAGTROL SA. MAGTROL SA RESERVES ALL PATENT PROPRIETARY, DESIGN, USE, SALE, MANUFACTURING AND REPRODUCTION RIGHTS THERETO.



Centering seat.

6					
5					
4					
3					
2					
1					

Rev.	Date	PM	Drawn	Appr.	Repl. by :
					Repl. for:

Tolerances: \pm mm to 50mm, \pm mm over 50mm

Material:

Finish:



Scale	1:2	Drawn	24.11.04	J.Sottaz
		Checked		
		Approved	07.12.04	N.Buri

TORQUE TRANSDUCER TM 316
SPLINED SHAFT ENDS

DRAWING N°
415-316-000V021