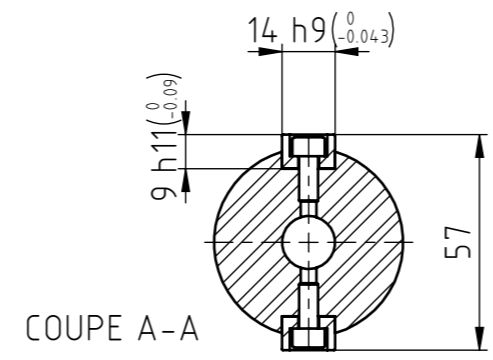
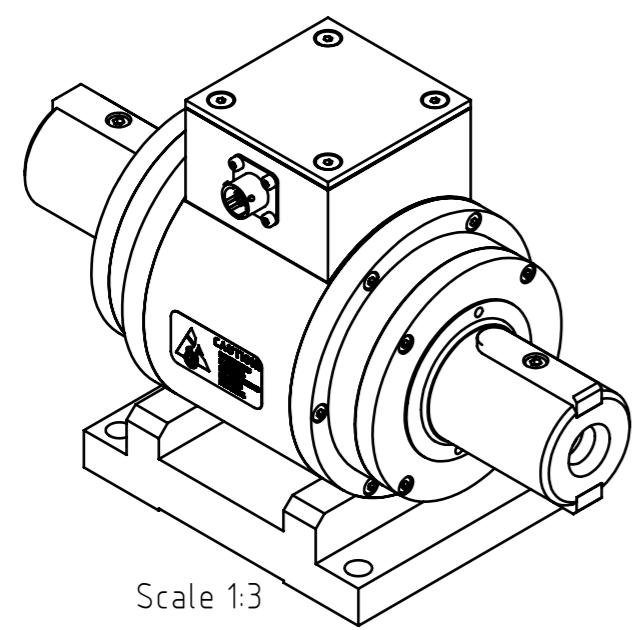
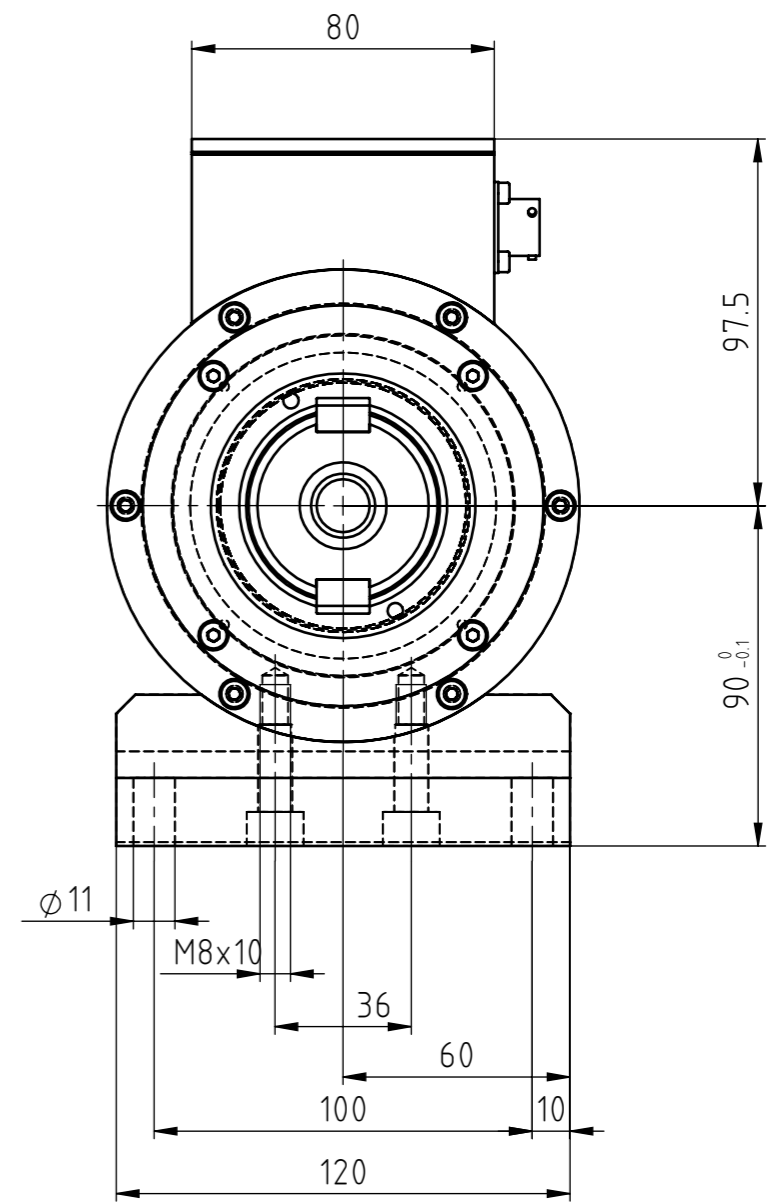
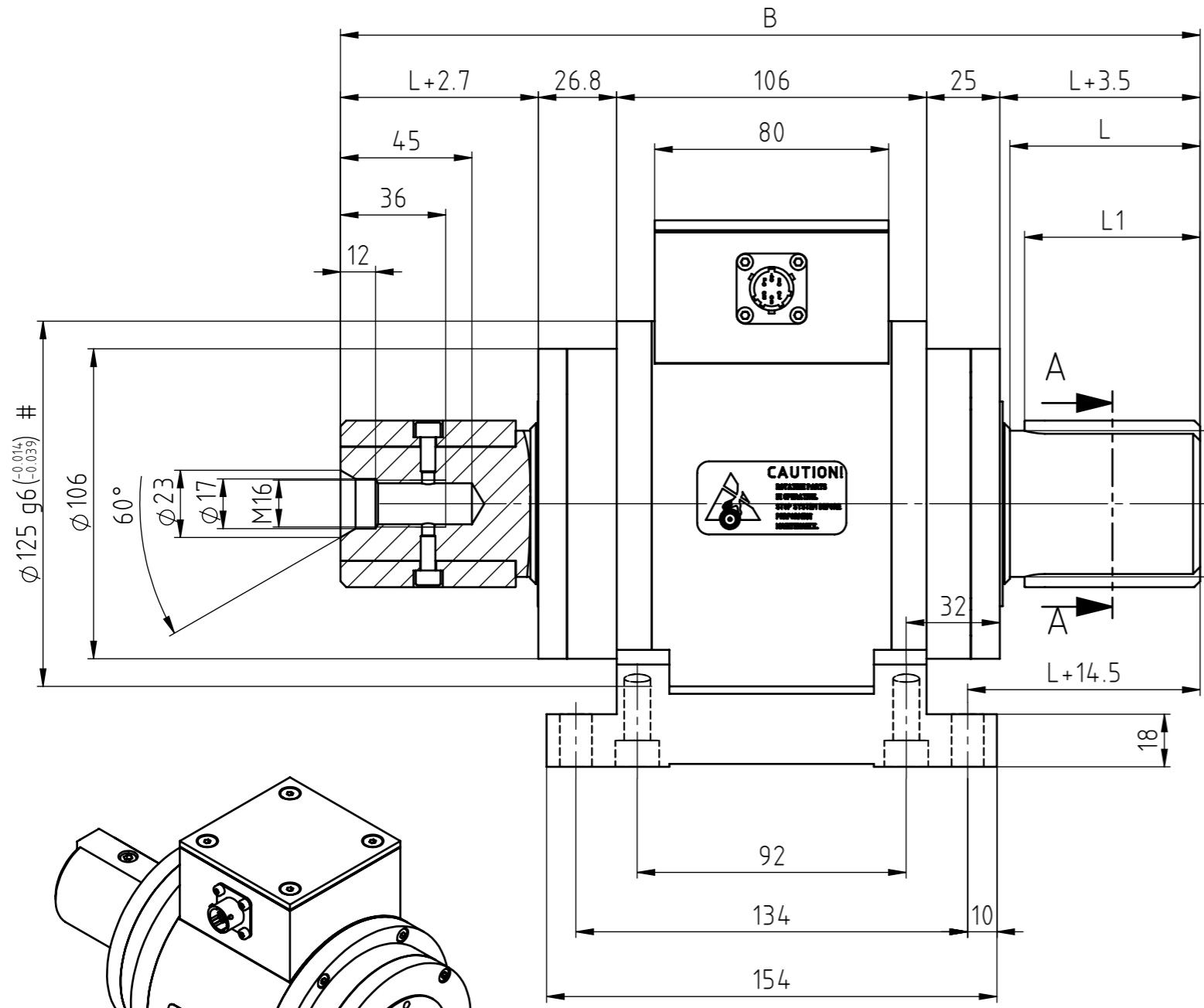


THE INFORMATION DISCLOSED HEREIN WAS ORIGINATED BY AND IS THE PROPERTY OF MAGTROL SA. MAGTROL SA RESERVES ALL PATENT PROPRIETARY, DESIGN, USE, SALE, MANUFACTURING AND REPRODUCTION RIGHTS THERETO.



Centering seat.

6					
5					
4					
3					
2					
1	09.01.17	16088	ajoy	blot	Tolerance axis height 0/-0.1 instead 0/-0.05
Rev.	Date	PM	Drawn	Appr.	Repl. by : Repl. for :

TYPE	P/N	B	L	L1
TM 314	415-314-000-031	294	65	60
TM 315	415-315-000-031	334	85	80

Tolerances: ± mm to 50mm, ± mm over 50mm

Material:

Finish:

TORQUE TRANSDUCER TM 314 ÷ 315
SHAFT ENDS WITH SCREWED KEYWAYS

DRAWING N°
415-314-000V031

MAGTROL SA SWITZERLAND

Scale 1:2

Drawn	07.12.2004	jsot
Checked		
Approved	07.12.2004	nbur