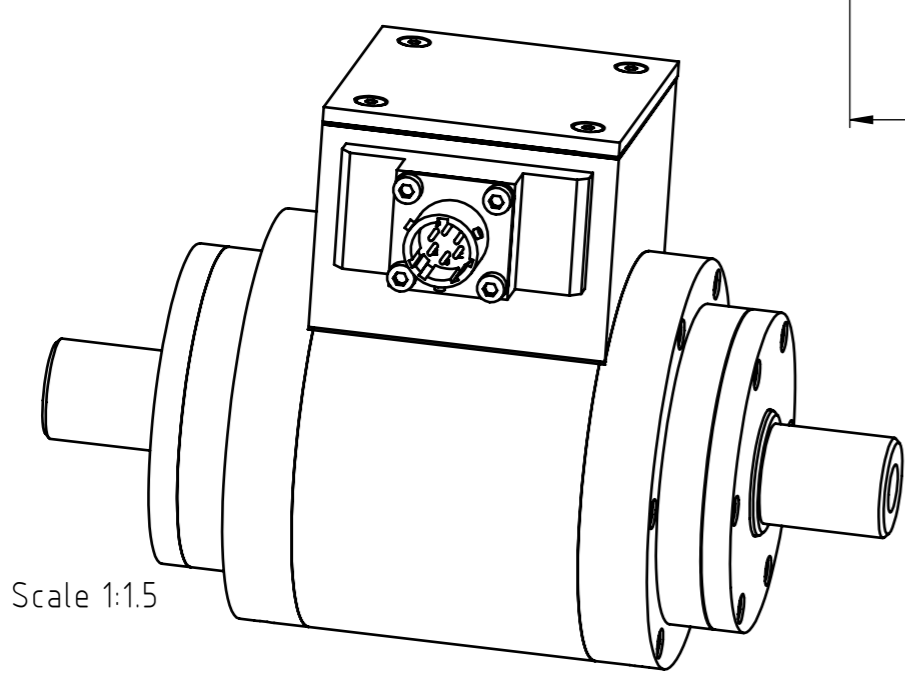
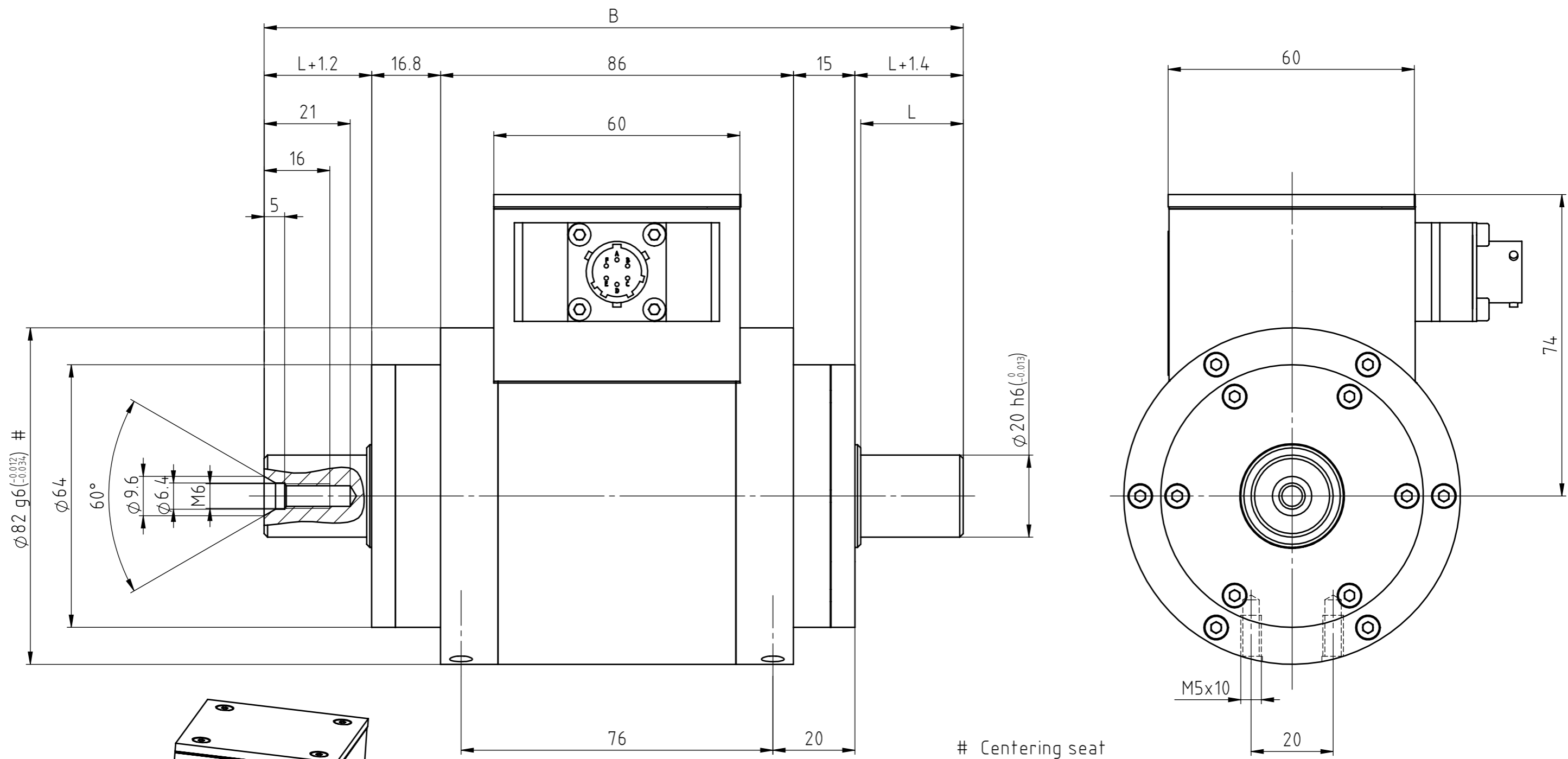


THE INFORMATION DISCLOSED HEREIN WAS ORIGINATED BY AND IS THE PROPERTY OF MAGTROL SA. MAGTROL SA RESERVES ALL PATENT PROPRIETARY, DESIGN, USE, SALE, MANUFACTURING AND REPRODUCTION RIGHTS THERETO.



Type	P/N	B	L
TMB 309	415-309-000-411	170.4	25
TMB 310	415-310-000-411	190.4	35
TMB 311	415-311-000-411	200.4	40

6						
5						
4						
3						
2						
1						
Rev.	Date	PM	Drawn	Appr.	Repl. by :	
					Repl. for:	
Tolerances: ± 0.1 mm to 50mm, ± 0.2 mm over 50mm						
Material:					Scale 1:1	
Finish:					DRAWING N°	
TORQUE TRANSDUCER TMB 309-311					415-309-000V411	
SMOOTH SHAFT ENDS						

Drawn	18.12.08	B.Lottenbach
Checked		
Approved	18.12.08	B.Lottenbach