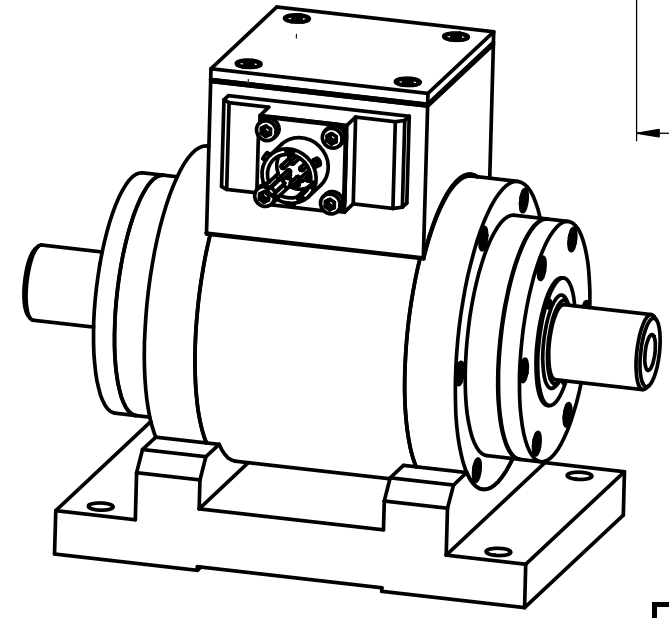
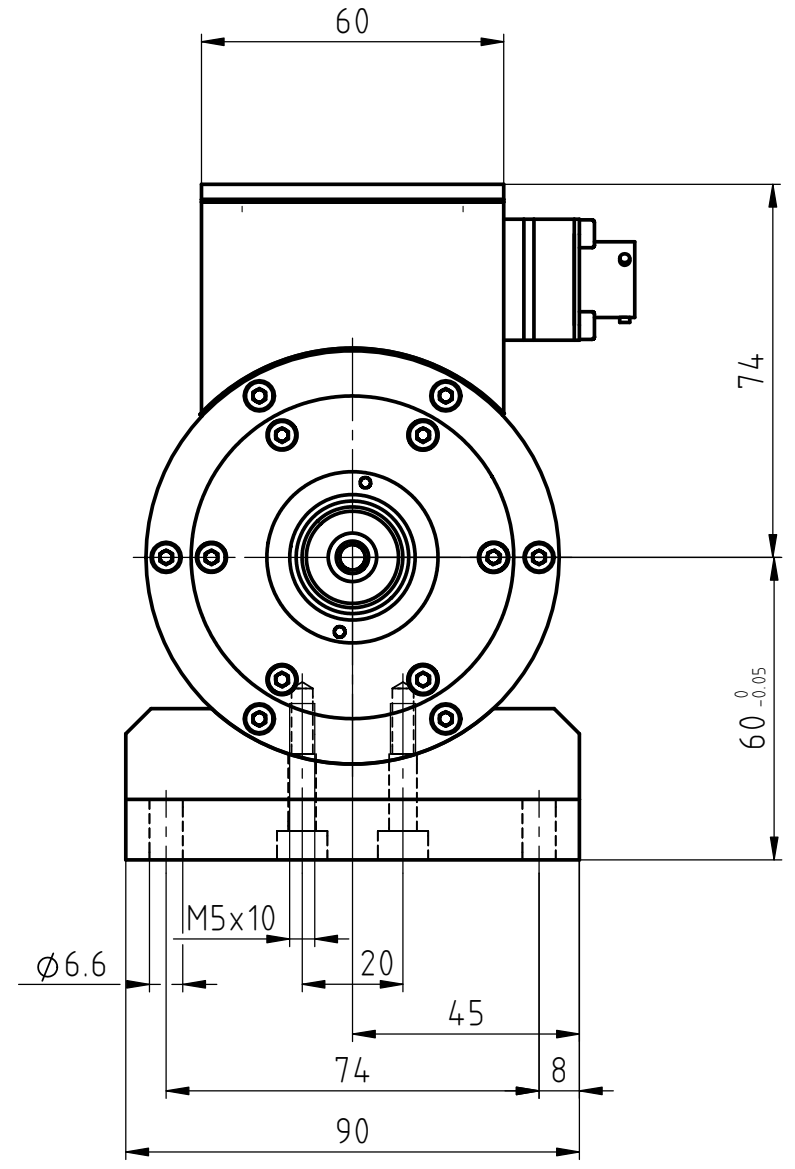
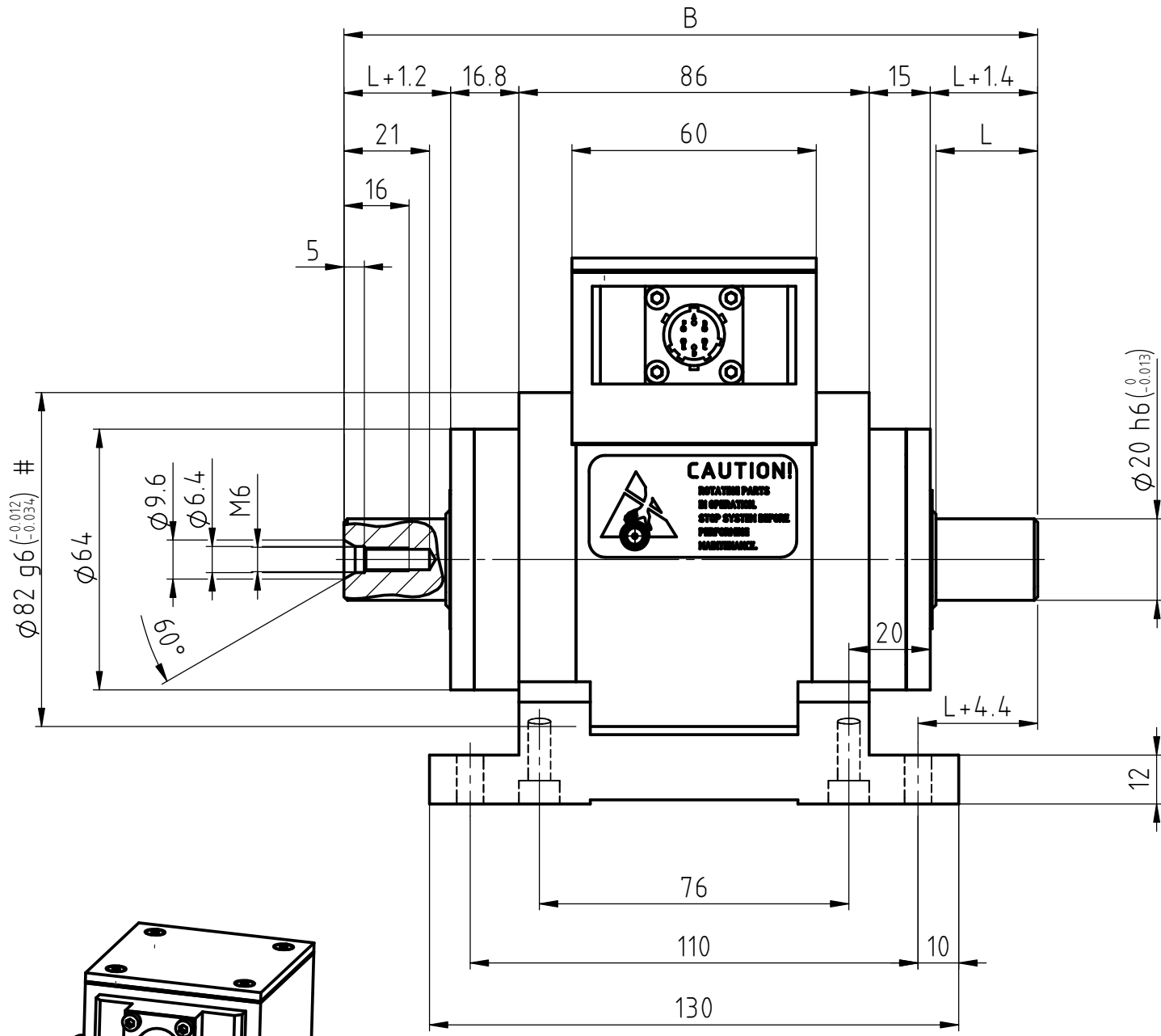


THE INFORMATION DISCLOSED HEREIN WAS ORIGINATED BY AND IS THE PROPERTY OF MAGTROL SA. MAGTROL SA RESERVES ALL PATENT PROPRIETARY, DESIGN, USE, SALE, MANUFACTURING AND REPRODUCTION RIGHTS THERETO.



Scale 1:2

TYPE	P/N	B	L
TM 309	415-309-000-011	170.4	25
TM 310	415-310-000-011	190.4	35
TM 311	415-311-000-011	200.4	40

Centering seat.

6																	
5																	
4																	
3																	
2																	
1																	
Rev.	Date	PM	Drawn	Appr.	Repl. by :												
					Repl. for:												
Tolerances: ± mm to 50mm, ± mm over 50mm																	
Material:						Scale 1:1.5											
Finish:						<table border="1"> <tr> <td>Drawn</td> <td>23.11.04</td> <td>J.Sottaz</td> </tr> <tr> <td>Checked</td> <td></td> <td></td> </tr> <tr> <td>Approved</td> <td>6.12.04</td> <td>N.Buri</td> </tr> </table>			Drawn	23.11.04	J.Sottaz	Checked			Approved	6.12.04	N.Buri
Drawn	23.11.04	J.Sottaz															
Checked																	
Approved	6.12.04	N.Buri															
TORQUE TRANSDUCER TM 309÷311						DRAWING N°											
SMOOTH SHAFT ENDS						415-309-000V011											

