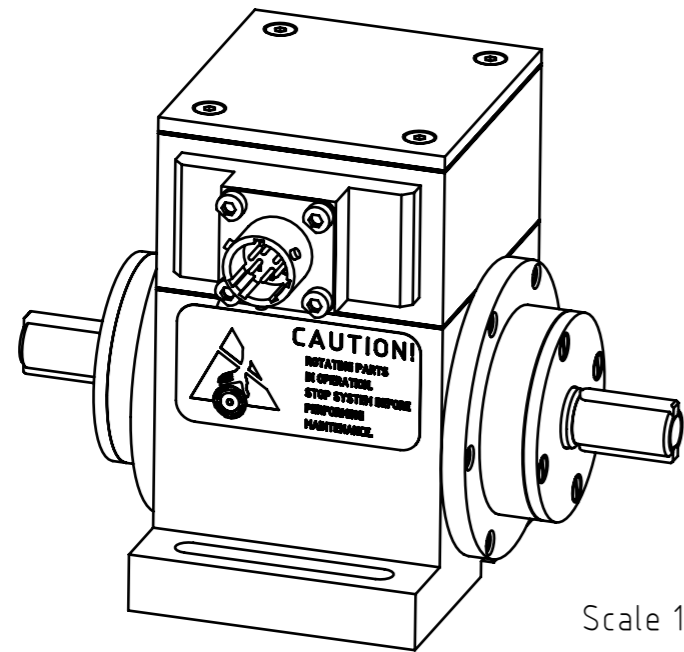
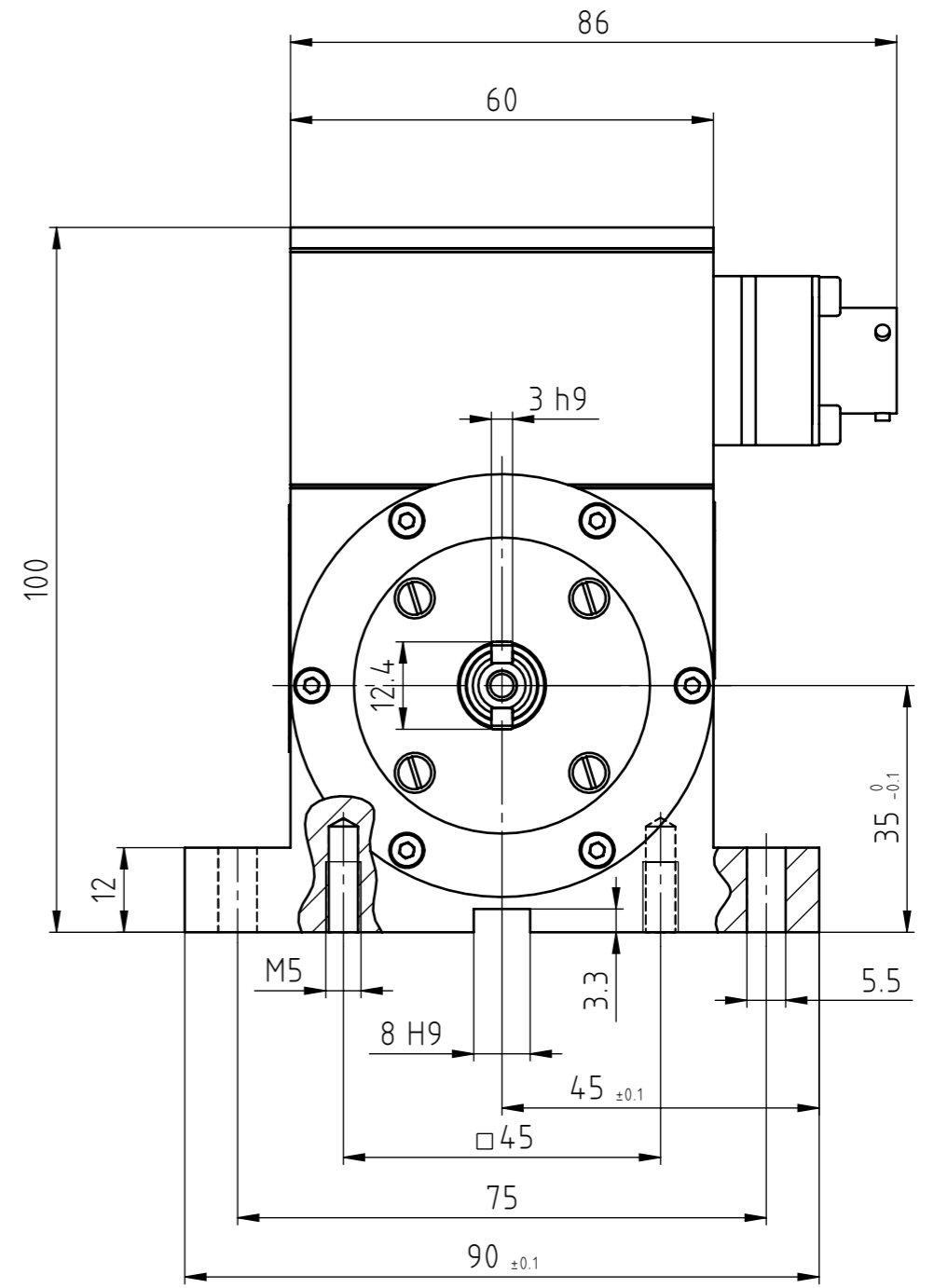
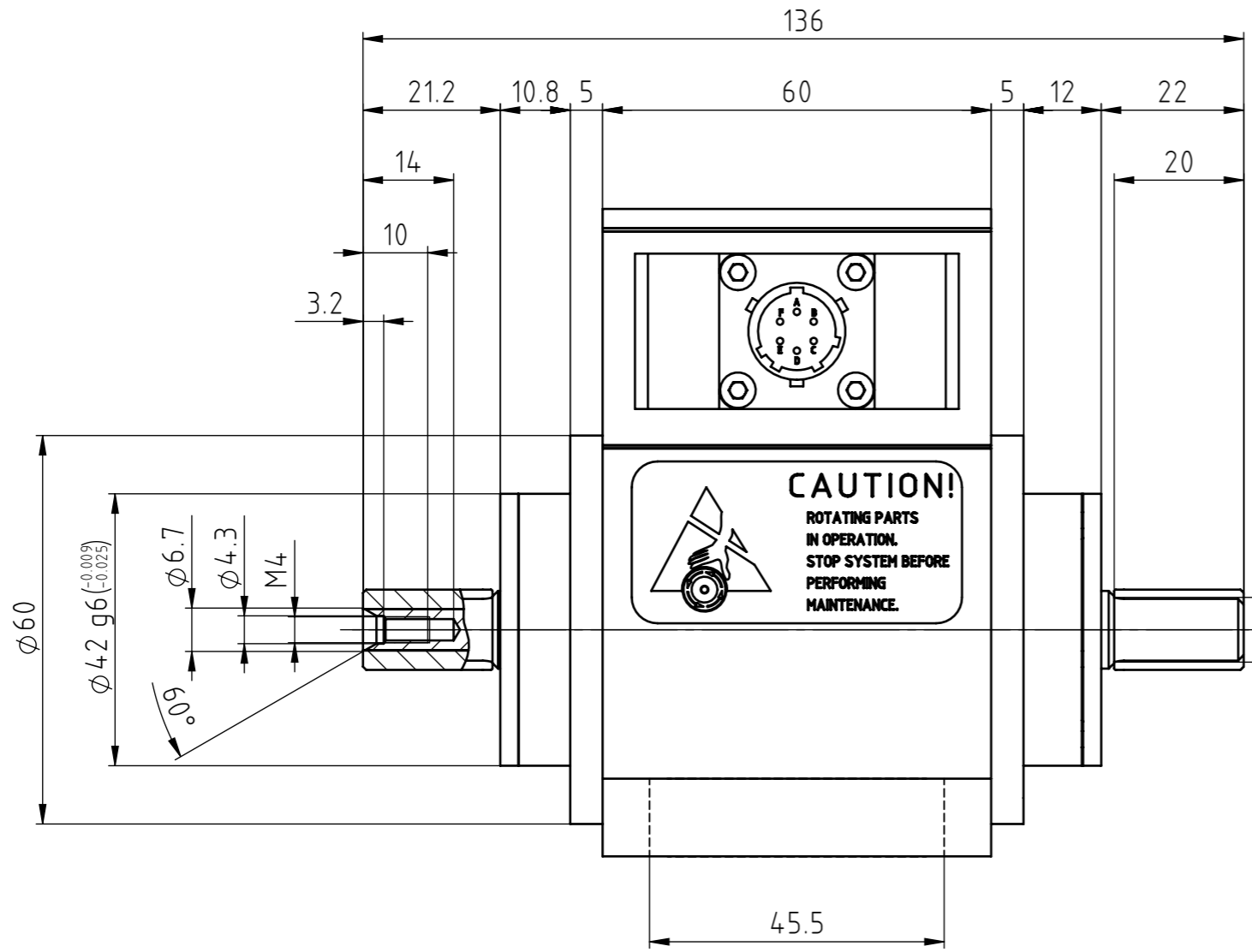


THE INFORMATION DISCLOSED HEREIN WAS ORIGINATED BY AND IS THE PROPERTY OF MAGTROL SA. MAGTROL SA RESERVES ALL PATENT PROPRIETARY, DESIGN, USE, SALE, MANUFACTURING AND REPRODUCTION RIGHTS THERETO.



Scale 1:1.5

6									
5									
4									
3									
2									
1									
Rev.	Date	PM	Drawn	Appr.	Repl. by :				
					Repl. for :				
Tolerances: ± . . . mm to 50mm, ± . . . mm over 50mm									
Material:						Scale 1:1			
Finish:						DRAWING N°			
TORQUE TRANSDUCER TMB 307÷308						415-307-000V471			
SHAFT ENDS WITH KEYWAYS									



Drawn	20.12.2016	ajoy
Checked		
Approved	20.12.2016	acot