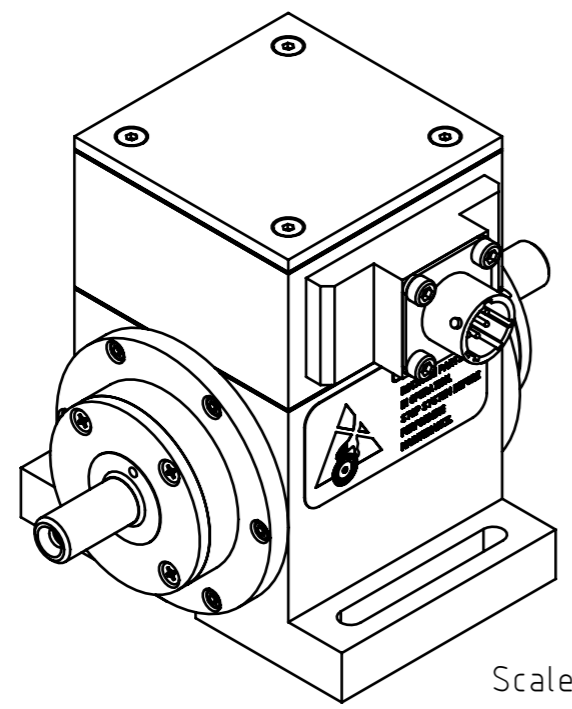
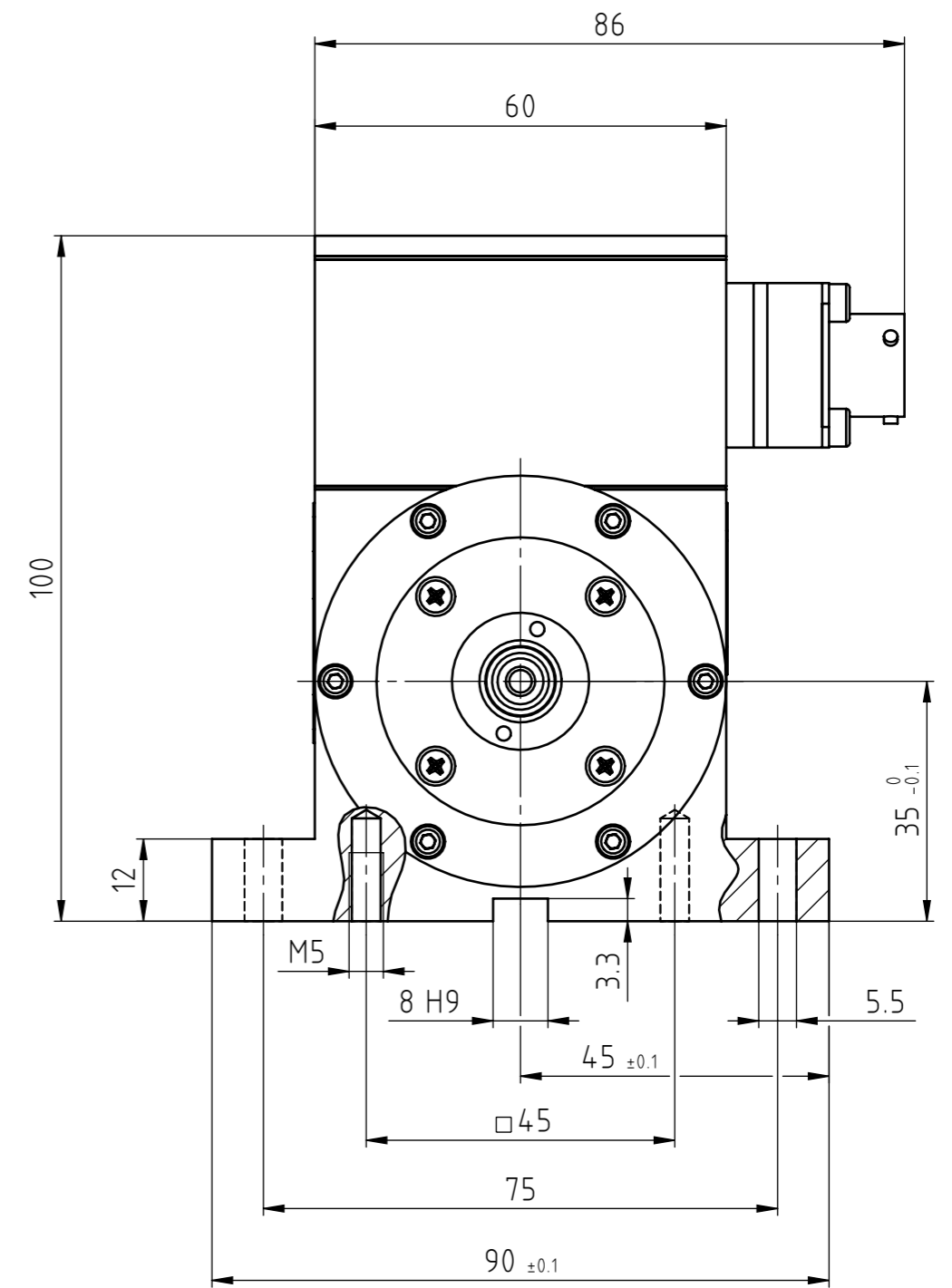
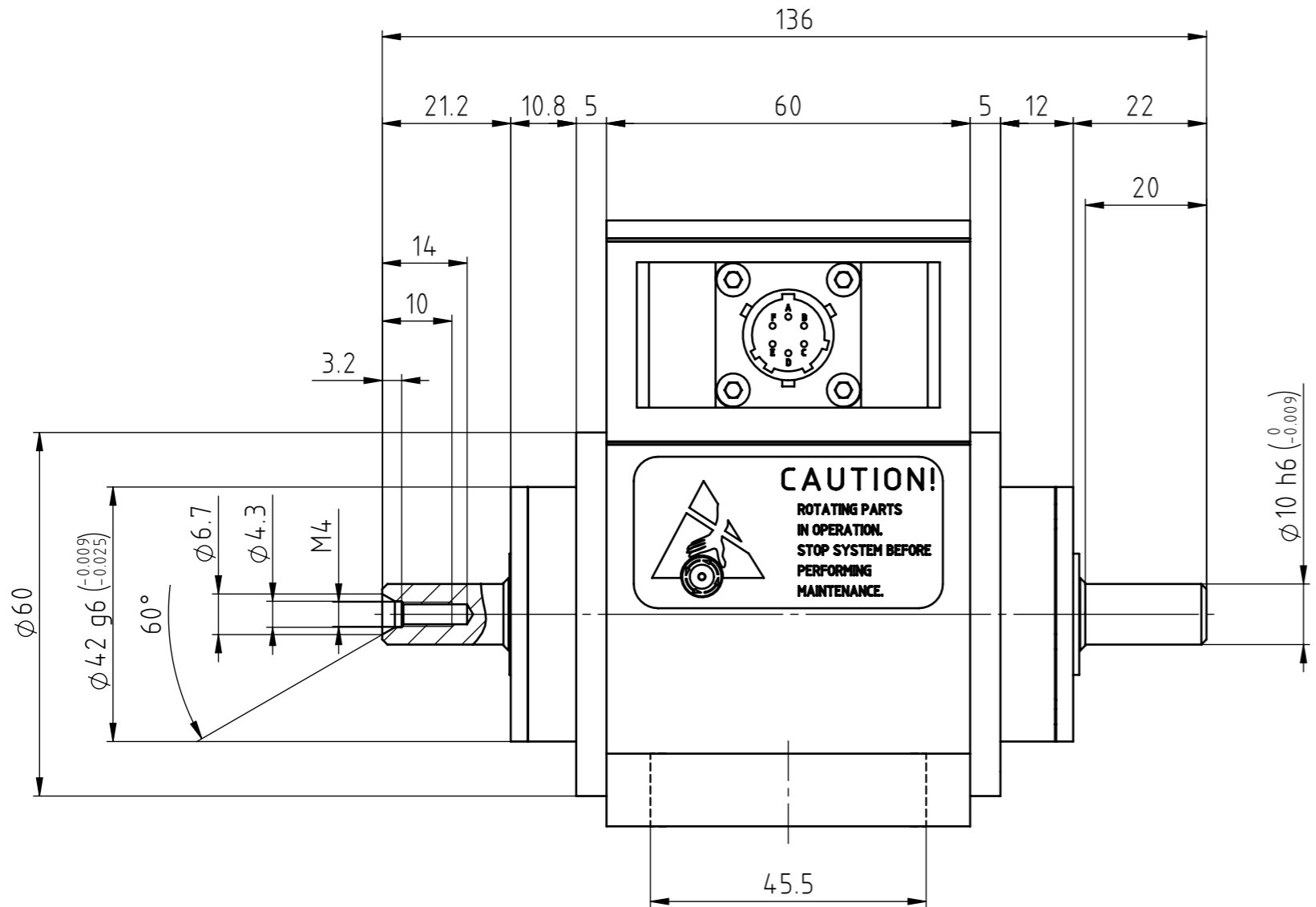


THE INFORMATION DISCLOSED HEREIN WAS ORIGINATED BY AND IS THE PROPERTY OF MAGTROL SA. MAGTROL SA RESERVES ALL PATENT PROPRIETARY, DESIGN, USE, SALE, MANUFACTURING AND REPRODUCTION RIGHTS THERETO.



Scale 1:1.5

6																		
5																		
4																		
3																		
2																		
1																		
Rev.	Date	PM	Drawn	Appr.	Repl. by :													
					Repl. for :													
Tolerances: ± . . mm to 50mm, ± . . mm over 50mm																		
Material:						Scale 1:1												
Finish:						<table border="1"> <tr> <td>Drawn</td> <td>20.12.16</td> <td>ydaf</td> </tr> <tr> <td>Checked</td> <td>20.12.16</td> <td>acot</td> </tr> <tr> <td>Approved</td> <td>20.12.16</td> <td>blot</td> </tr> </table>				Drawn	20.12.16	ydaf	Checked	20.12.16	acot	Approved	20.12.16	blot
Drawn	20.12.16	ydaf																
Checked	20.12.16	acot																
Approved	20.12.16	blot																
TORQUE TRANSDUCER TMB304 ÷ 308						DRAWING N°												
SMOOTH SHAFT ENDS						415-304-000V451												

