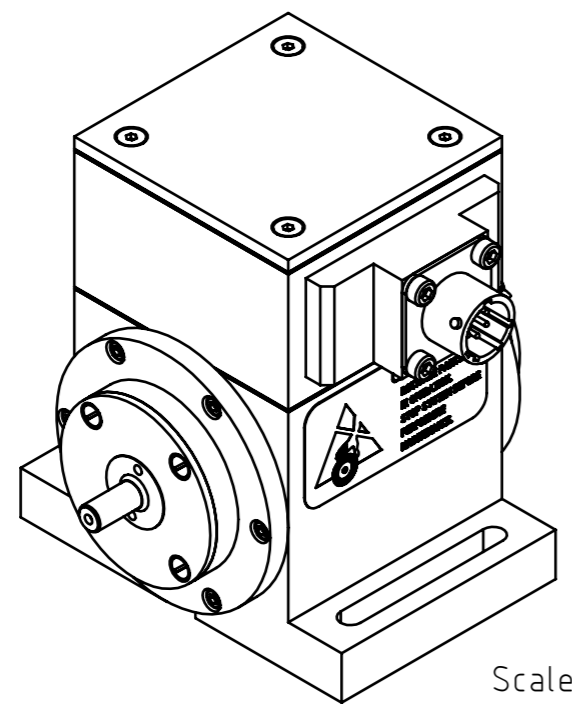
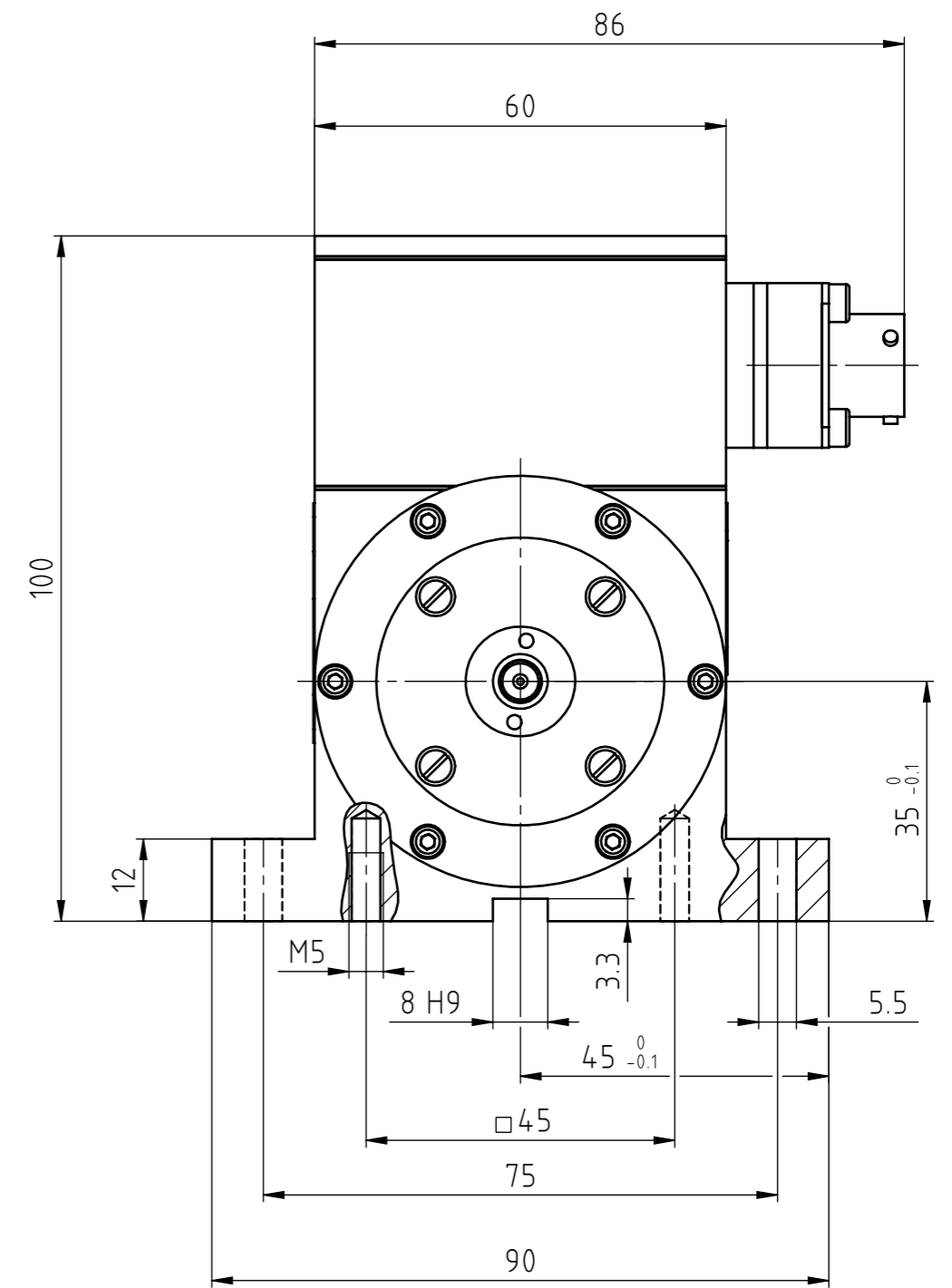
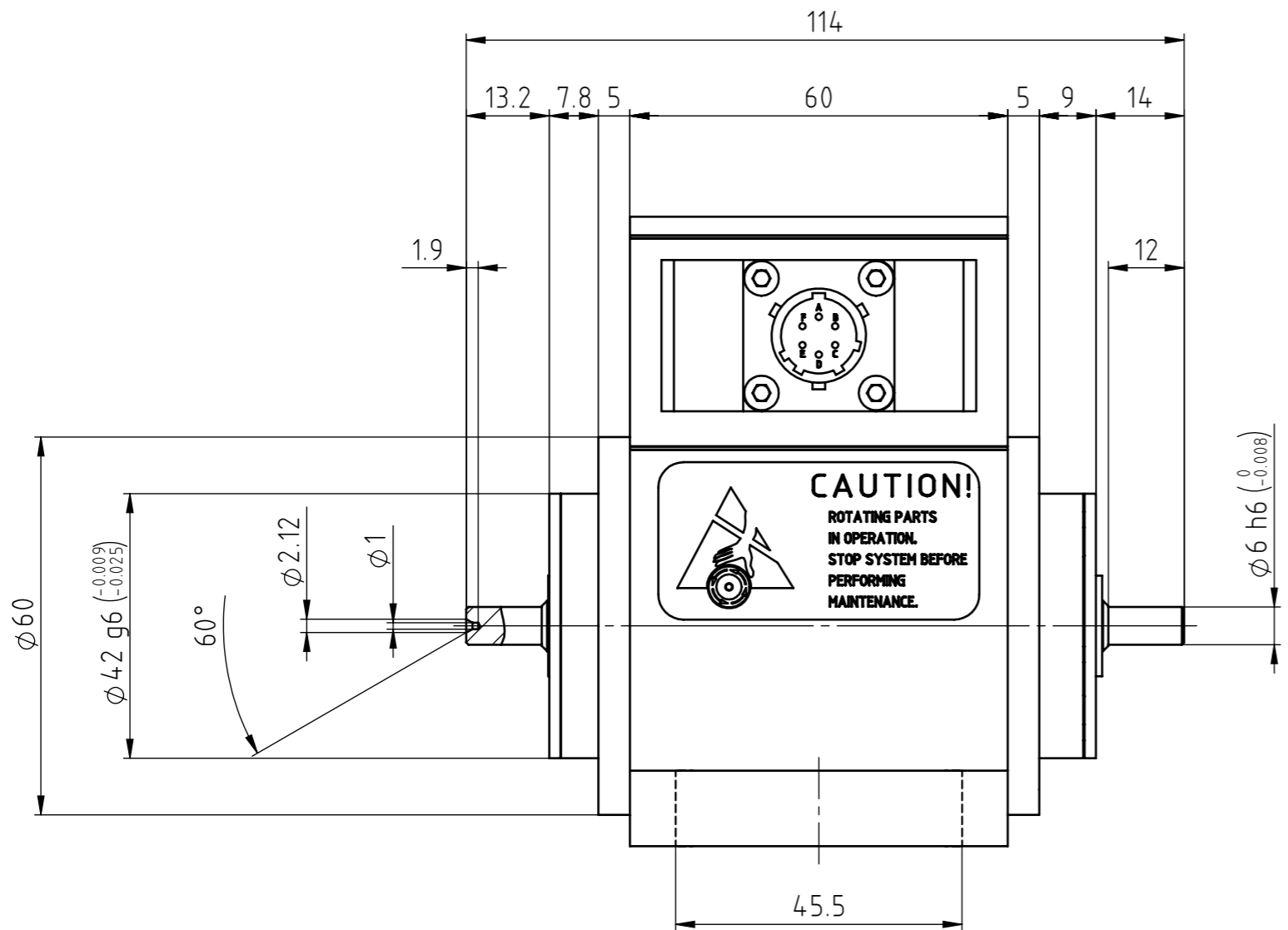


THE INFORMATION DISCLOSED HEREIN WAS ORIGINATED BY AND IS THE PROPERTY OF MAGTROL SA. MAGTROL SA RESERVES ALL PATENT PROPRIETARY, DESIGN, USE, SALE, MANUFACTURING AND REPRODUCTION RIGHTS THERETO.



6																		
5																		
4																		
3																		
2																		
1																		
Rev.	Date	PM	Drawn	Appr.	Repl. by :													
					Repl. for :													
Tolerances: ± . . mm to 50mm, ± . . mm over 50mm																		
Material: . . . . .						Scale 1:1												
Finish: . . . . .						<table border="1"> <tr> <td>Drawn</td> <td>09.04.2016</td> <td>ydaf</td> </tr> <tr> <td>Checked</td> <td>09.04.2016</td> <td>acot</td> </tr> <tr> <td>Approved</td> <td>09.04.2016</td> <td>blot</td> </tr> </table>				Drawn	09.04.2016	ydaf	Checked	09.04.2016	acot	Approved	09.04.2016	blot
Drawn	09.04.2016	ydaf																
Checked	09.04.2016	acot																
Approved	09.04.2016	blot																
TORQUE TRANSDUCER TM301÷303						DRAWING N°												
SMOOTH SHAFT ENDS						415-302-000V051												