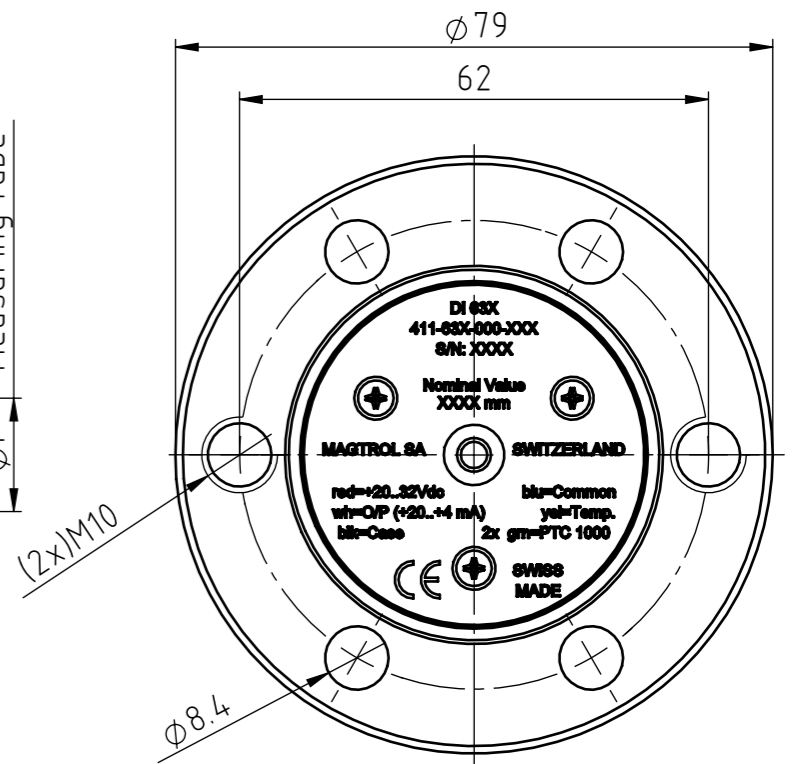
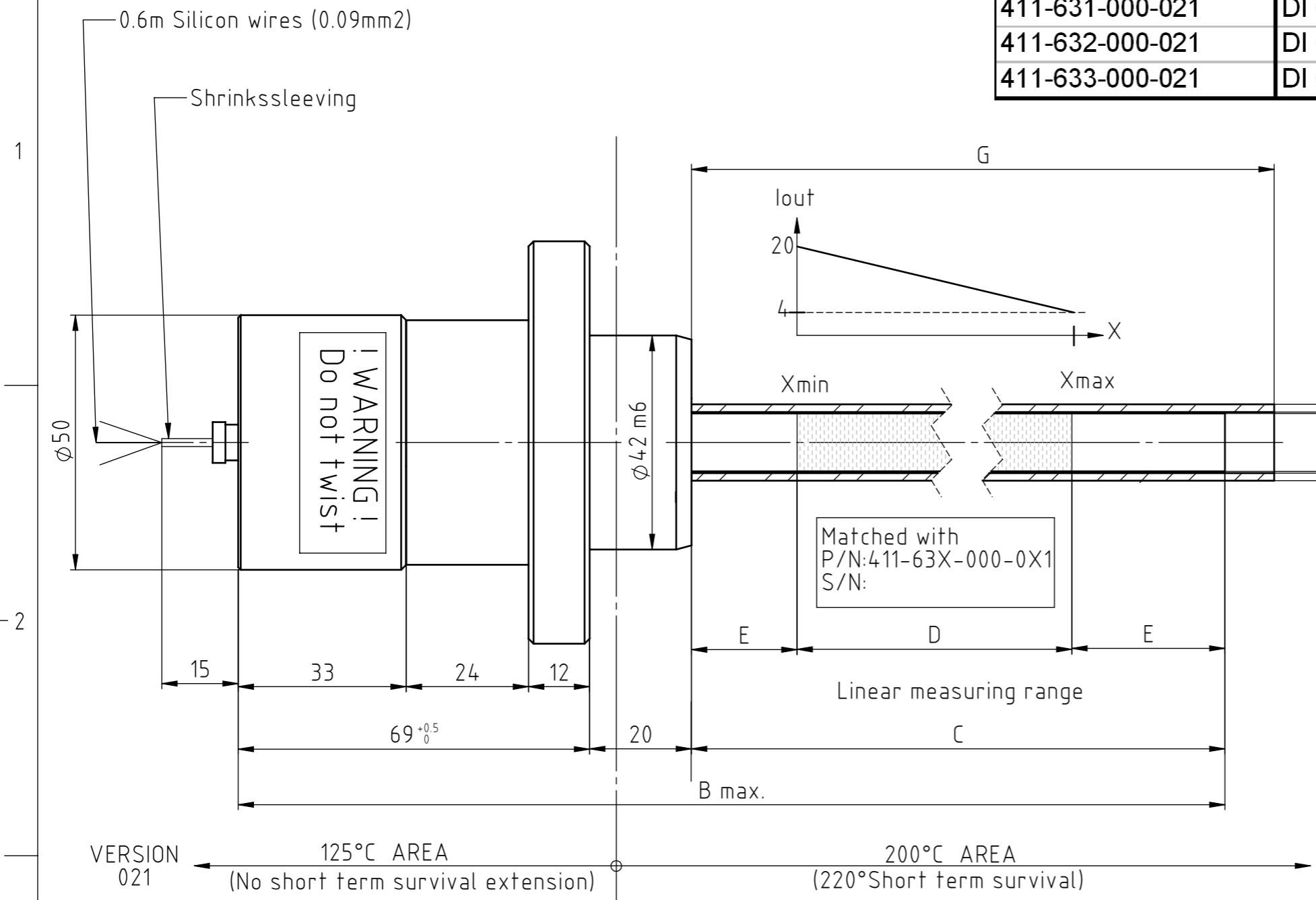
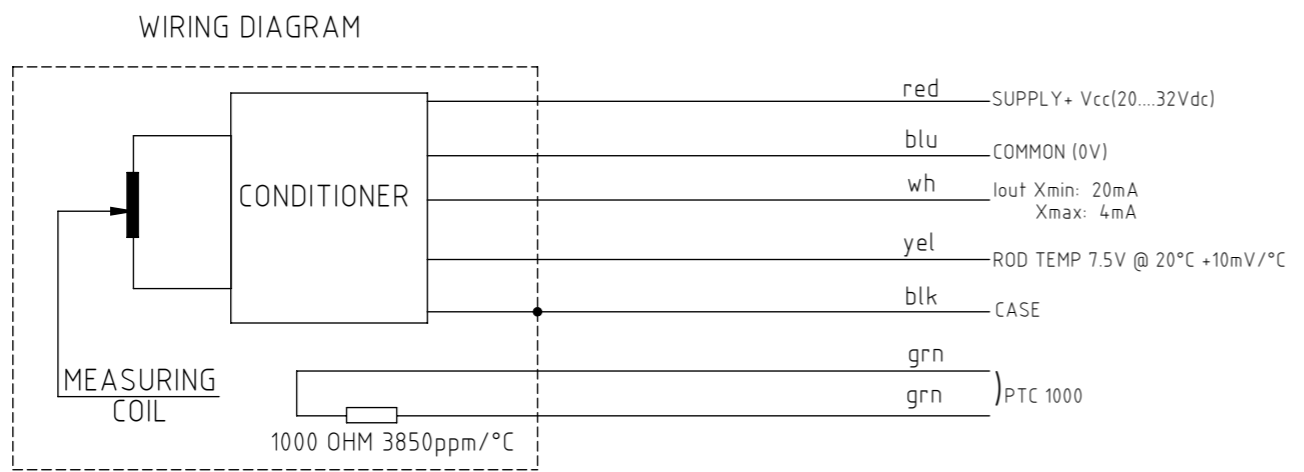


THE INFORMATION DISCLOSED HEREIN WAS ORIGINATED BY AND IS THE PROPERTY OF MAGTROL SA. MAGTROL SA RESERVES ALL PATENT PROPRIETARY, DESIGN, USE, SALE, MANUFACTURING AND REPRODUCTION RIGHTS THERETO.

ORDERING NO	TYPE	øA	B	C	D	E	øF	øFi	G
411-630-000-021	DI 630	10	209	120	80	20	15	12	130
411-631-000-021	DI 631	10	259	170	130	20	15	12	175
411-632-000-021	DI 632	10	329	240	200	20	15	12	245
411-633-000-021	DI 633	10	379	290	250	20	15	12	300



NOTE: THE COVER MAY HAVE A ±30° ANGULAR POSITION SHIFT



6					
5					
4					
3					
2	31.08.09	09139	C.Zwa	J.Monot	Remove "inspection sealing"
1	15.05.03	03042	C.S.	N.B	Label on tube added
Rev.	Date	PM	Drawn	Appr.	Repl. by :
					Repl. for: PX 2504
Tolerances: ± mm to 50mm, ± mm over 50mm					
Material:					
Finish:					
CONTACTLESS DISPLACEMENT TRANSDUCERS					
P/N: see table   Type: see table					

Scale 1:1	Drawn	08.09.06	J.Soffaz
	Checked		
	Approved	08.09.06	N.Buri

DRAWING N°  
411-630-000V021

A B C D