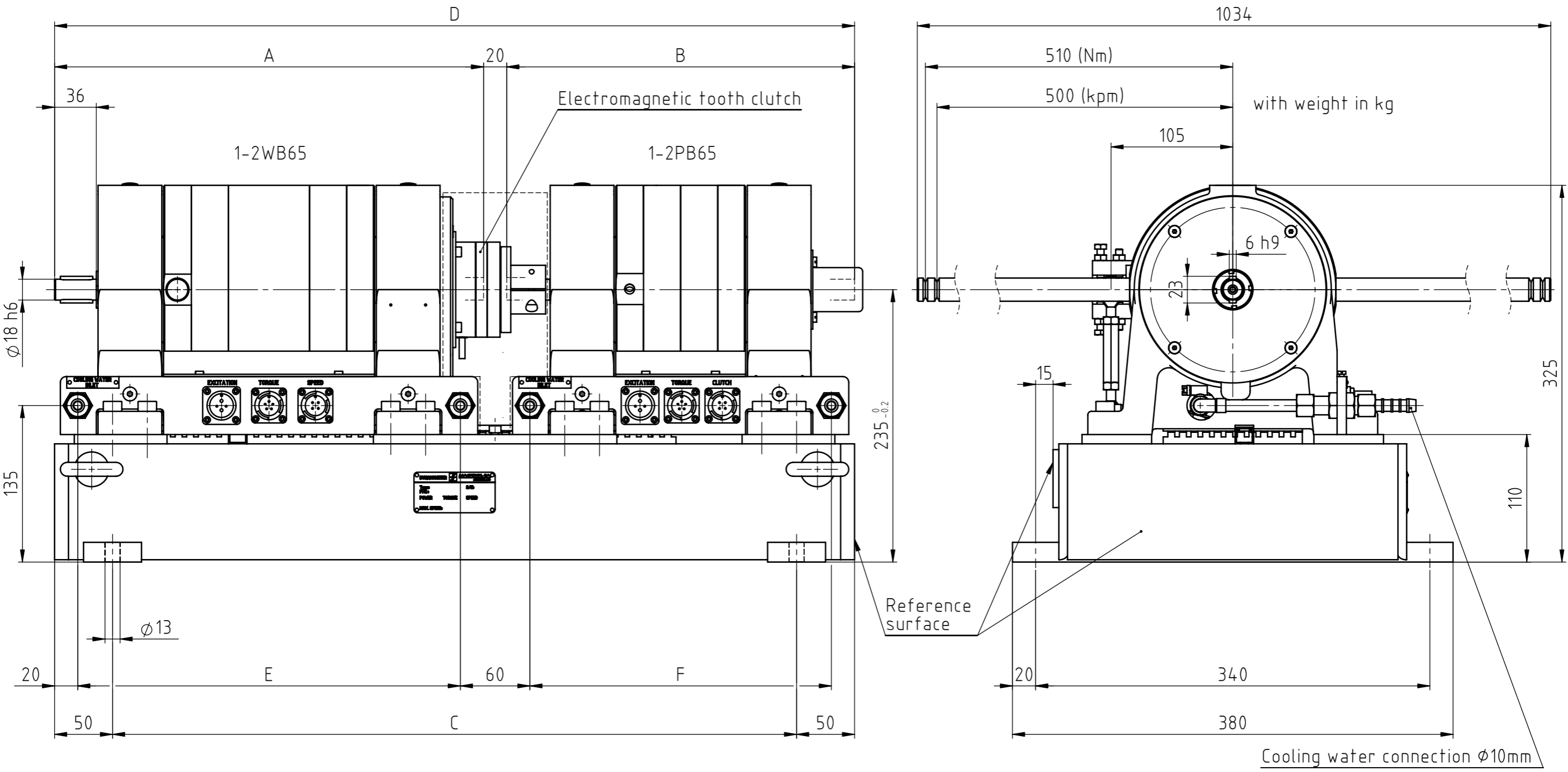


THE INFORMATION DISCLOSED HEREIN WAS ORIGINATED BY AND IS THE PROPERTY OF MAGTROL SA. MAGTROL SA RESERVES ALL PATENT PROPRIETARY, DESIGN, USE, SALE, MANUFACTURING AND REPRODUCTION RIGHTS THERETO.



Tandem Type	A	B	C	D	E	F
1WB65+EK+1PB65	300	300	520	620	260	260
1WB65+EK+2PB65	300	370	590	690	260	330
2WB65+EK+1PB65	370	300	590	690	330	260
2WB65+EK+2PB65	370	370	660	760	330	330

6						
5						
4						
3						
2						
1						
Rev.	Date	PM	Drawn	Appr.	Repl. by :	
					Repl. for: id. 28.5.90	
Tolerances: ± mm to 50mm, ± mm over 50mm						
Material:						Scale
Finish:						1:3.5
Tandem dynamometers Type 65						DRAWING N°
						332-110-000V011



Drawn	12.07.00	A.Rappo
Checked		
Approved	13.07.00	N.Buri