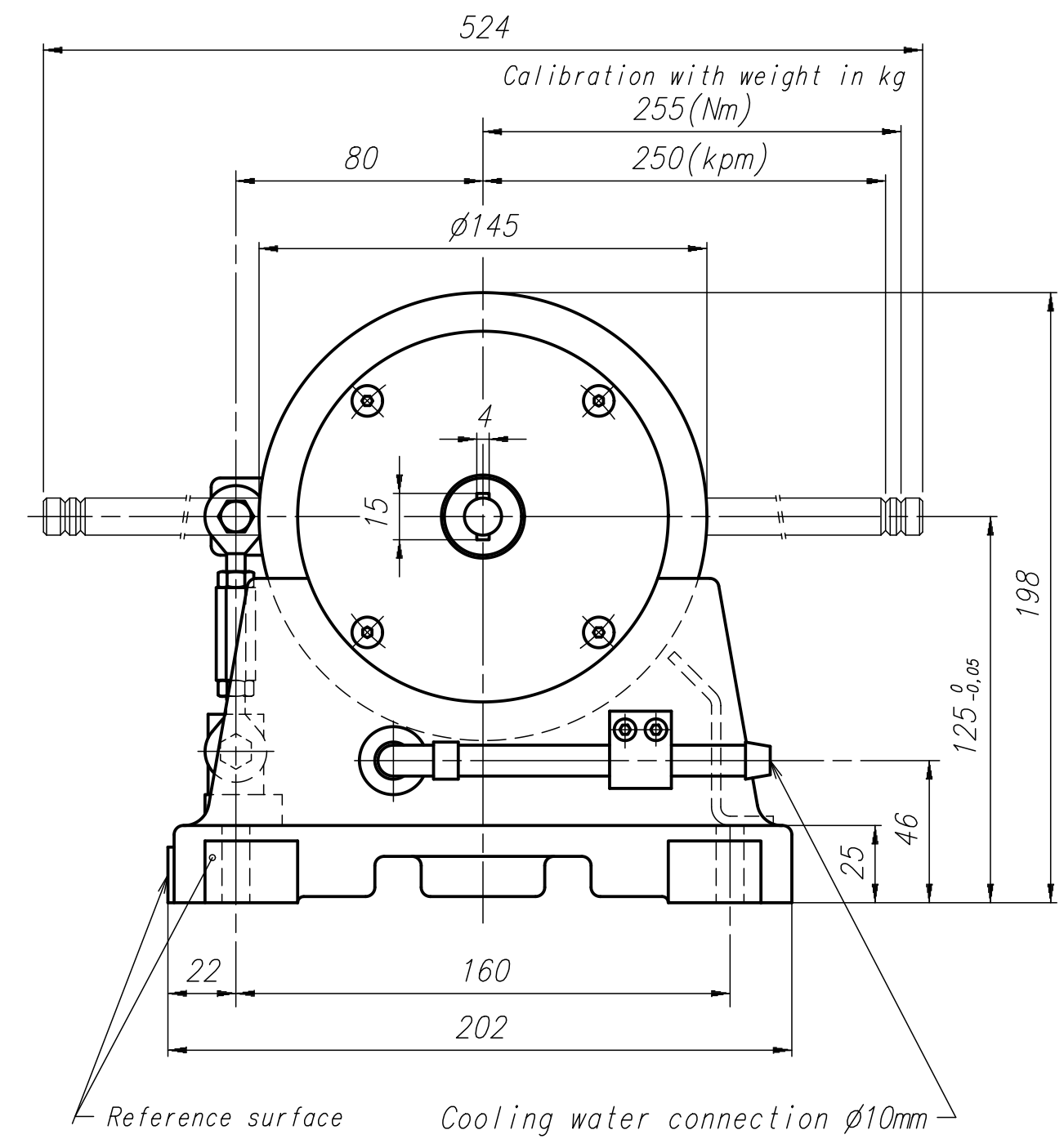
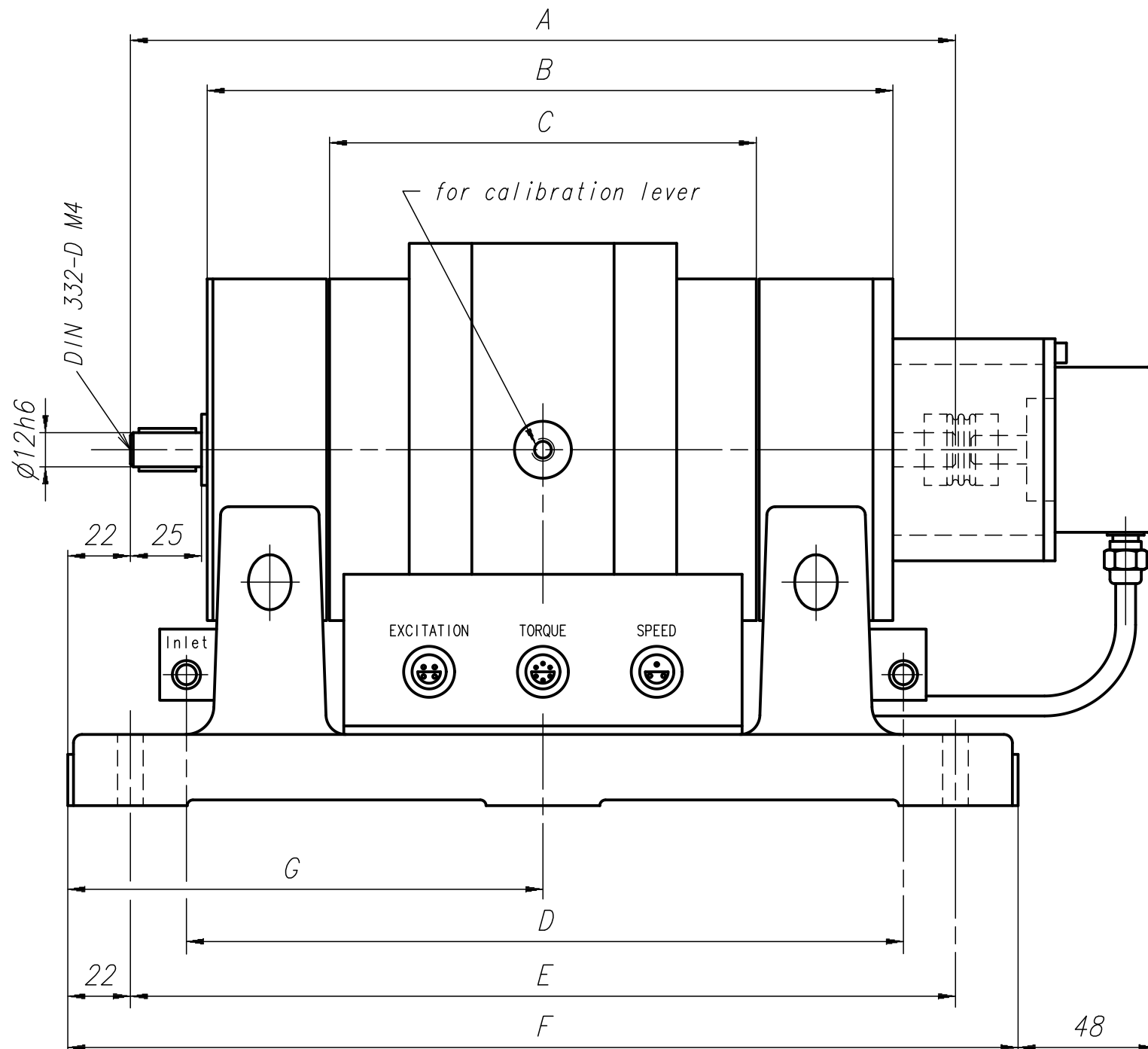


THE INFORMATION DISCLOSED HEREIN WAS ORIGINATED BY AND IS THE PROPERTY OF MAGTROL SA. MAGTROL SA RESERVES ALL PATENT, PROPRIETARY, DESIGN, USE, SALE, MANUFACTURING AND REPRODUCTION RIGHTS THERETO.



Type	A	B	C	D	E	F	G
1PB43	240	191	100	202	240	284	153
2PB43	290	241	150	252	290	334	167

6										
5										
4										
3										
2										
1										
Rev.	Date	PM	Drawn	Appr.	Repl. by :					
					Repl. for:					
Tolerances: \pm mm to 50 mm; \pm mm over 50 mm										
Material:							Scale		Drawn 16.11.2001 arap Checked Approved 16.11.2001 nbur	
Finish :							1:2			
Dynamometers 1+2PB43-DG							DRAWING N°			
							321-107-000V051			