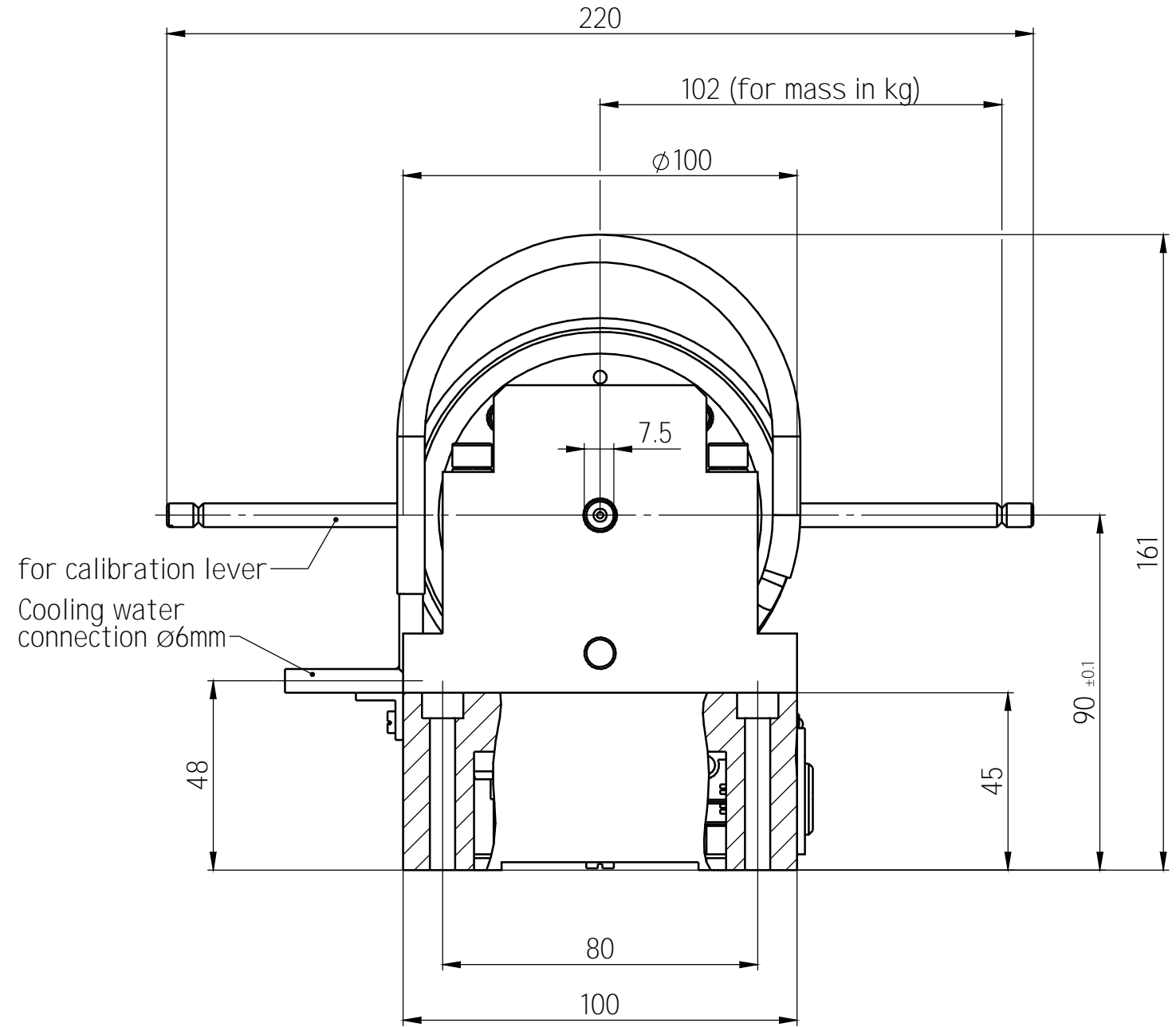
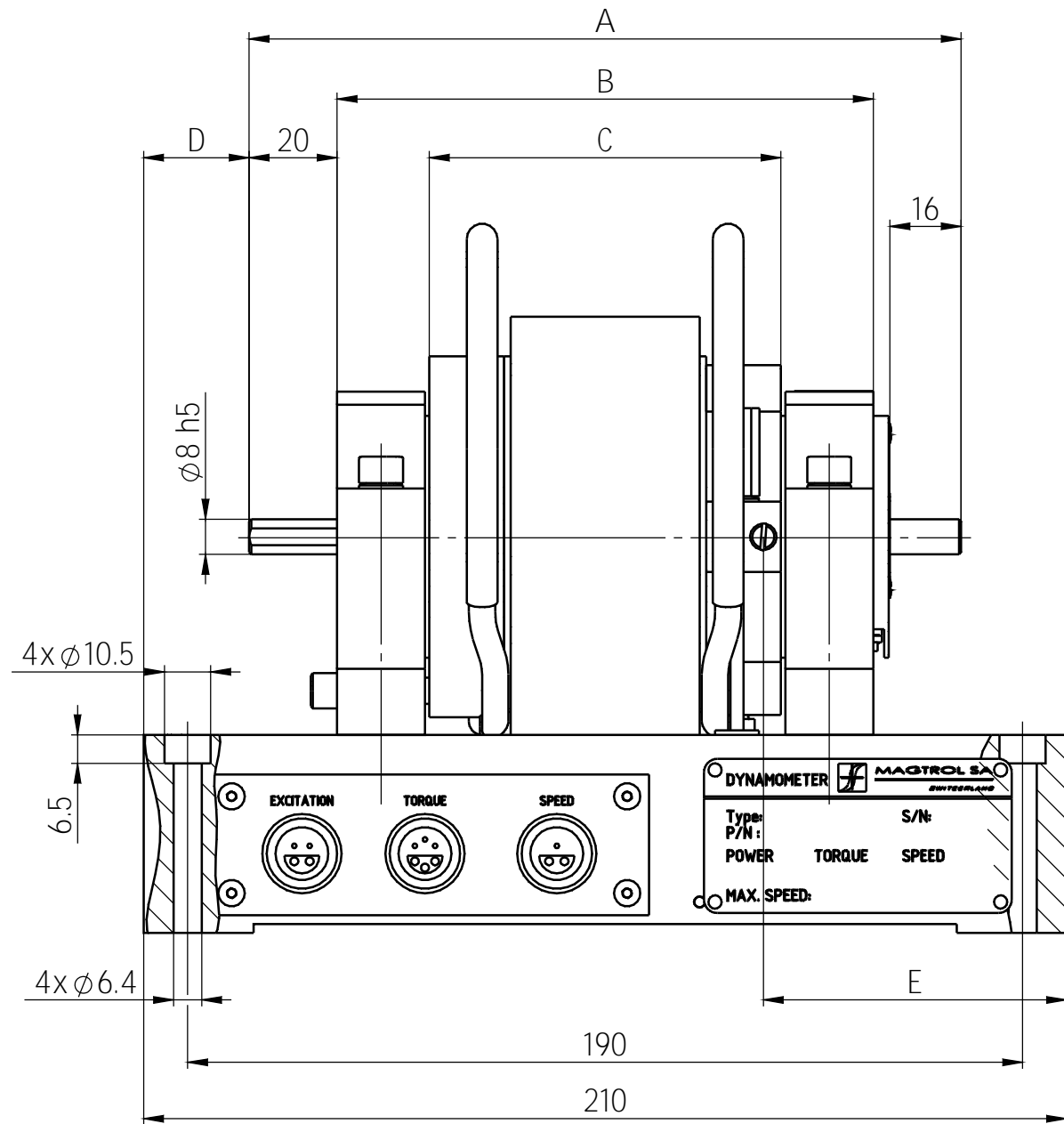


THE INFORMATION DISCLOSED HEREIN WAS ORIGINATED BY AND IS THE PROPERTY OF MAGTROL SA. MAGTROL SA RESERVES ALL PATENT PROPRIETARY, DESIGN, USE, SALE, MANUFACTURING AND REPRODUCTION RIGHTS THERETO.



Type	A	B	C	D	E
- - 1PB2,7	138	98	56	36	81
2WB2,7 2PB2,7	162	122	80	24	69
3WB2,7 - -	186	146	104	12	57
4WB2,7 4PB2,7	210	170	128	--	45

6										
5										
4										
3										
2										
1										
Rev.	Date	PM	Drawn	Appr.	Repl. by :					
					Repl. for :					
Tolerances: ± . . . mm to 50mm, ± . . . mm over 50mm										
Material: . . .							Scale	Drawn	03.09.2020	ajoy
Finish: . . .							1:1.5	Checked		
							Approved	03.09.2020	acot	
Dynamometers							DRAWING N°			
							315-101-000V052			
1-4WB2,7 1-4PB2,7										