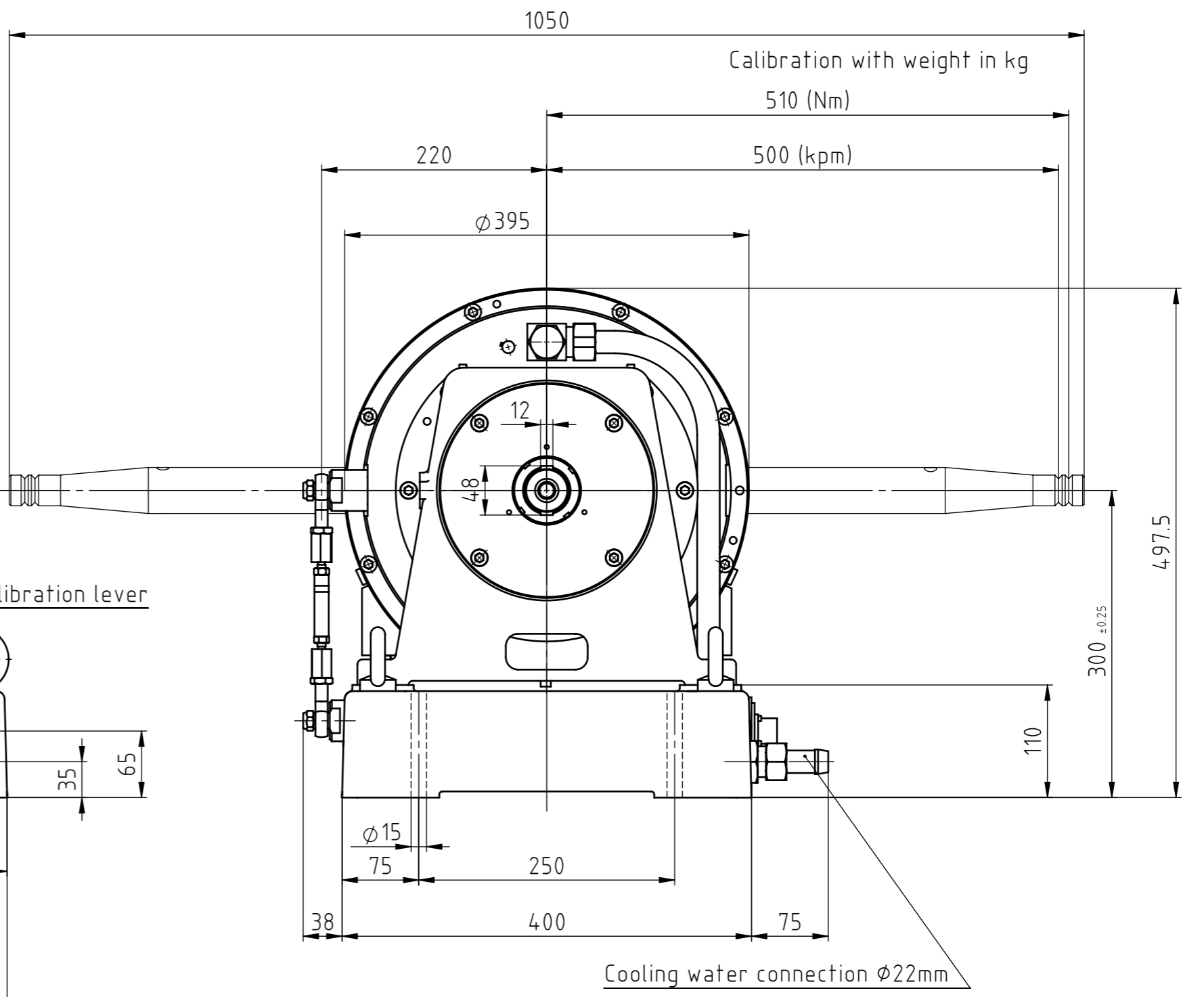
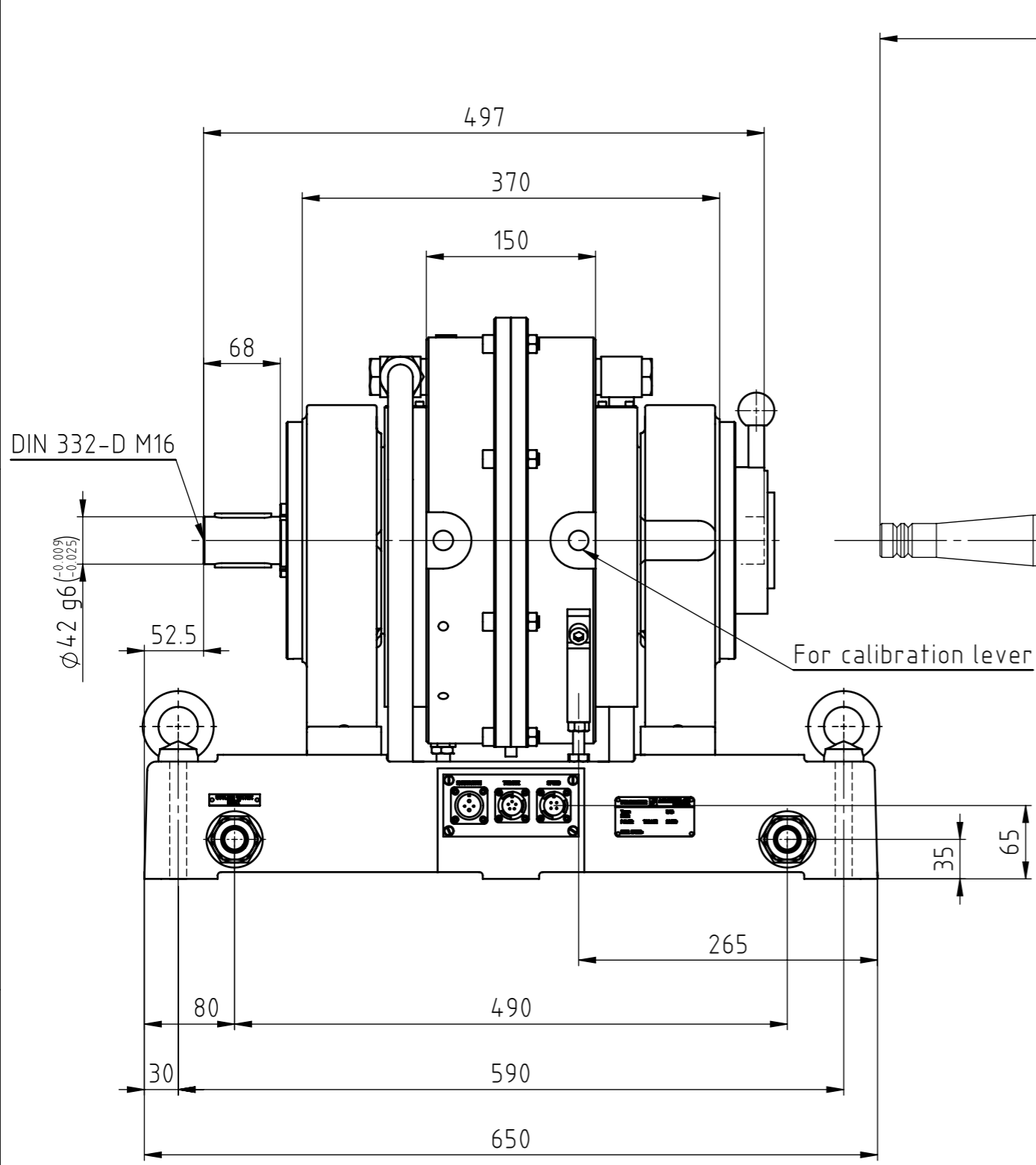


THE INFORMATION DISCLOSED HEREIN WAS ORIGINATED BY AND IS THE PROPERTY OF MAGTROL SA. MAGTROL SA RESERVES ALL PATENT PROPRIETARY, DESIGN, USE, SALE, MANUFACTURING AND REPRODUCTION RIGHTS THERETO.



6									
5									
4									
3									
2									
1	09.09.05	05086	J.Sottaz	N.Buri	Updated with the new load cell ZP-S!				
Rev.	Date	PM	Drawn	Appr.	Repl. by :				
					Repl. for:				
Tolerances: ±					mm to 50mm, ±		mm over 50mm		
Material:					Scale				
Finish:					1:5		Drawn	10.02.05	J.Sottaz
							Checked		
							Approved	11.02.05	N.Buri
Dynamometers 1WB15-MB							DRAWING N°		
with mechanical rotor blocking device							314-105-000V051		