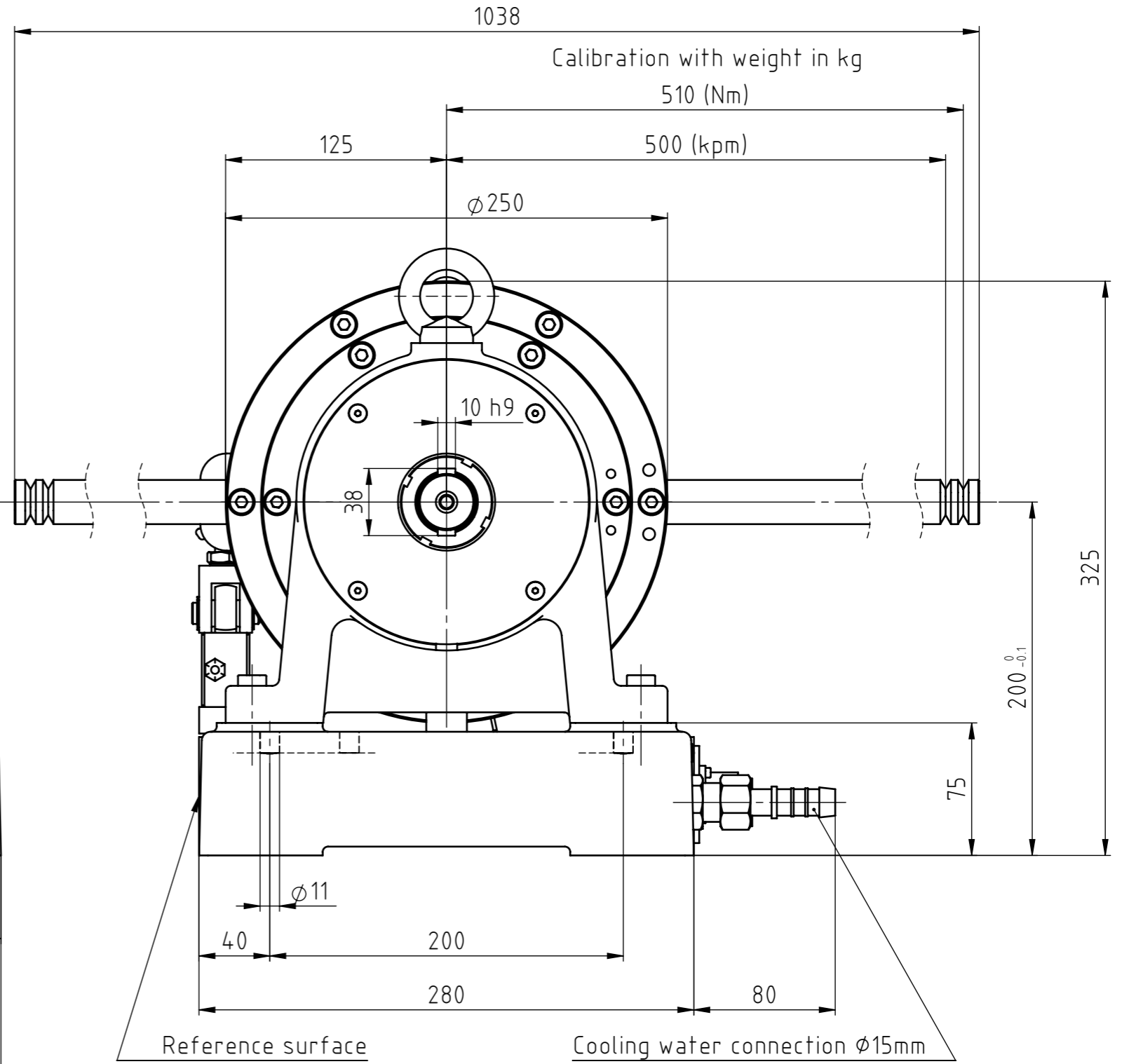
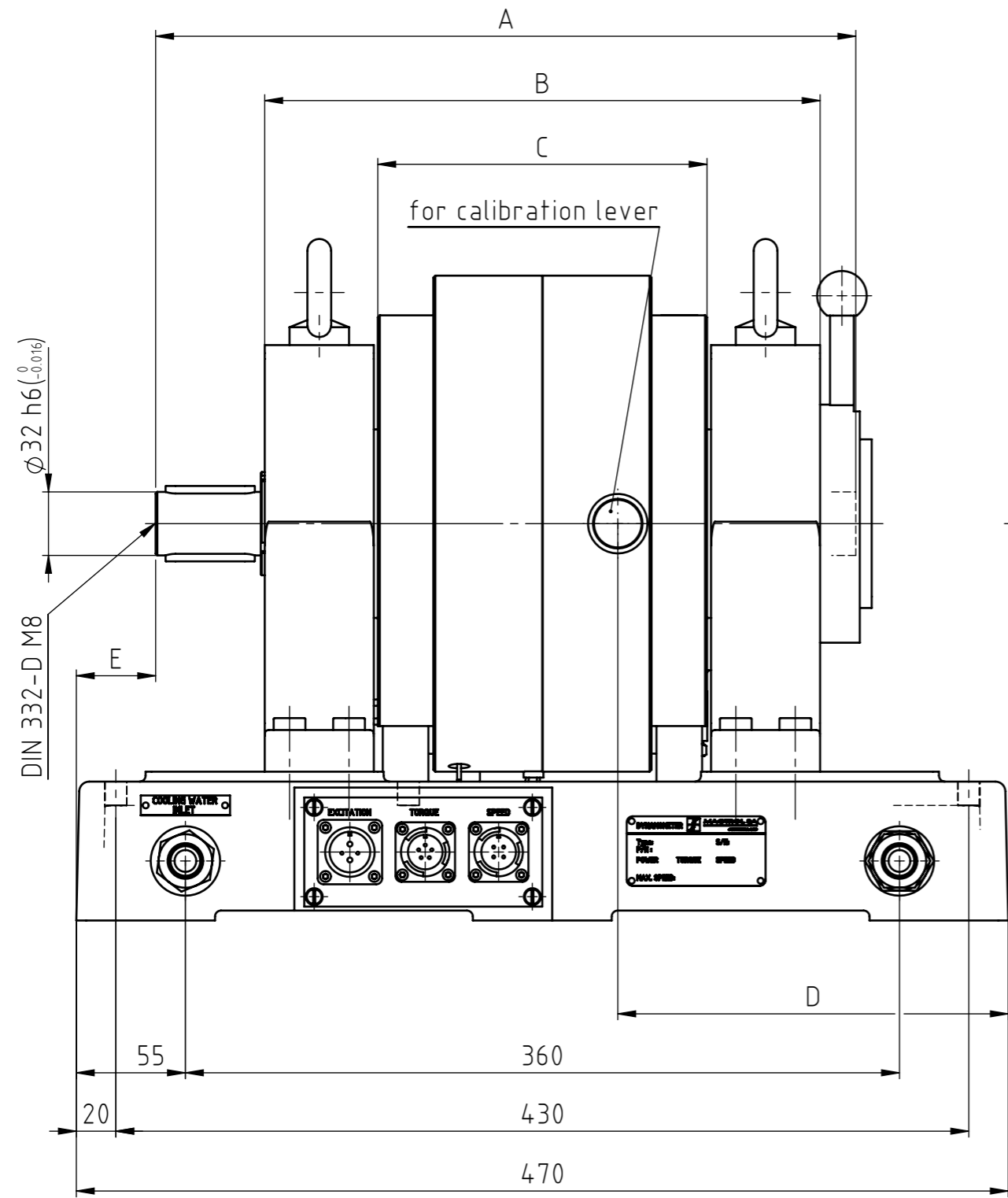


THE INFORMATION DISCLOSED HEREIN WAS ORIGINATED BY AND IS THE PROPERTY OF MAGTROL SA. MAGTROL SA RESERVES ALL PATENT PROPRIETARY, DESIGN, USE, SALE, MANUFACTURING AND REPRODUCTION RIGHTS THERETO.



Type	A	B	C	D	E
1WB115	353	280	166	197	40
2WB115	463	390	276	235	-15

6						
5						
4						
3						
2						
1						
Rev.	Date	PM	Drawn	Appr.	Repl. by :	Repl. for:



Tolerances: \pm mm to 50mm, \pm mm over 50mm

Material:

Finish:

Dynamometers 1+2WB115-MB
with mechanical rotor blocking device

Scale 1:3	Drawn	13.01.03	A.Rappo
	Checked		
	Approved	13.01.03	N.Buri

DRAWING N°
313-105-000V051