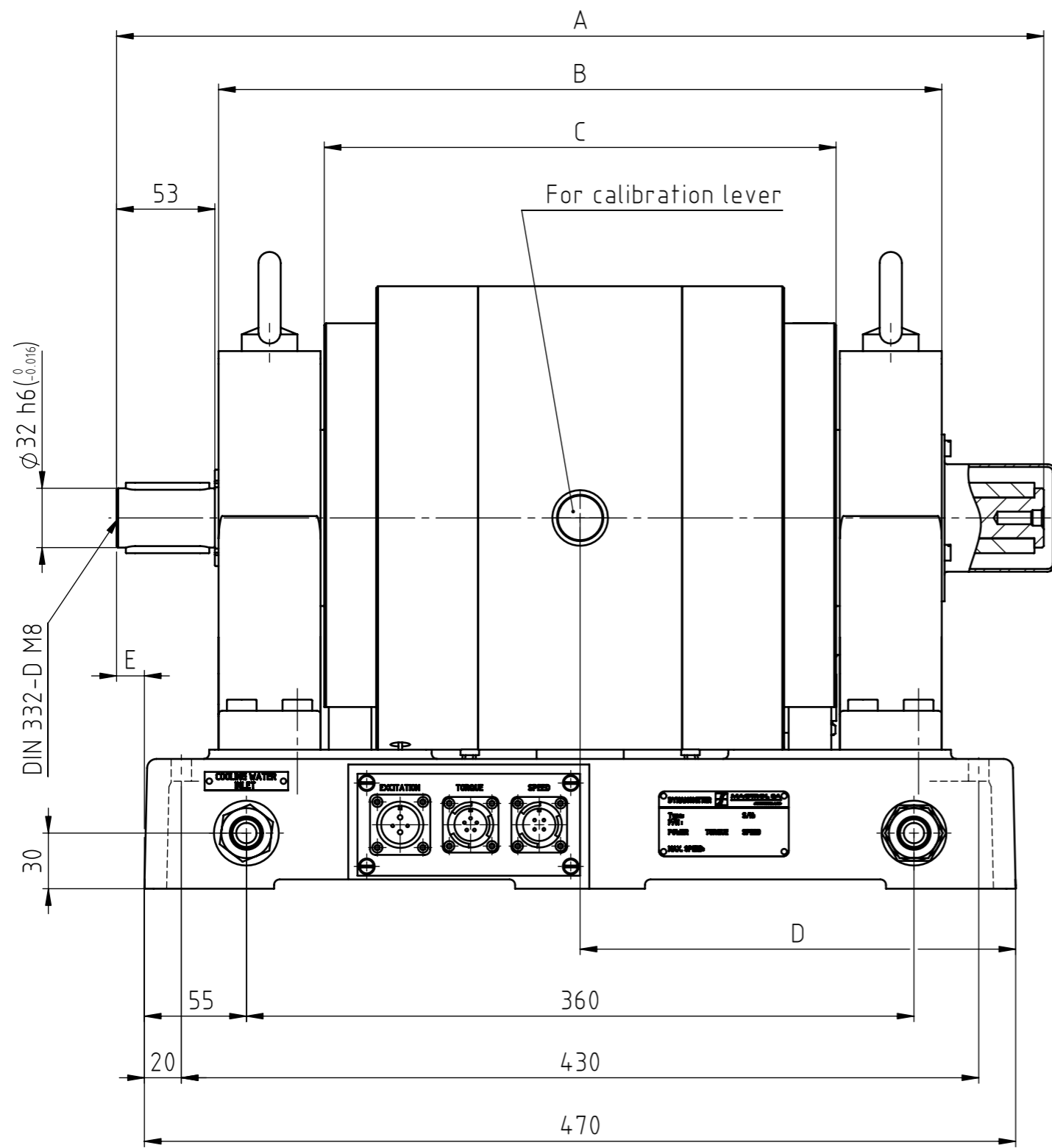
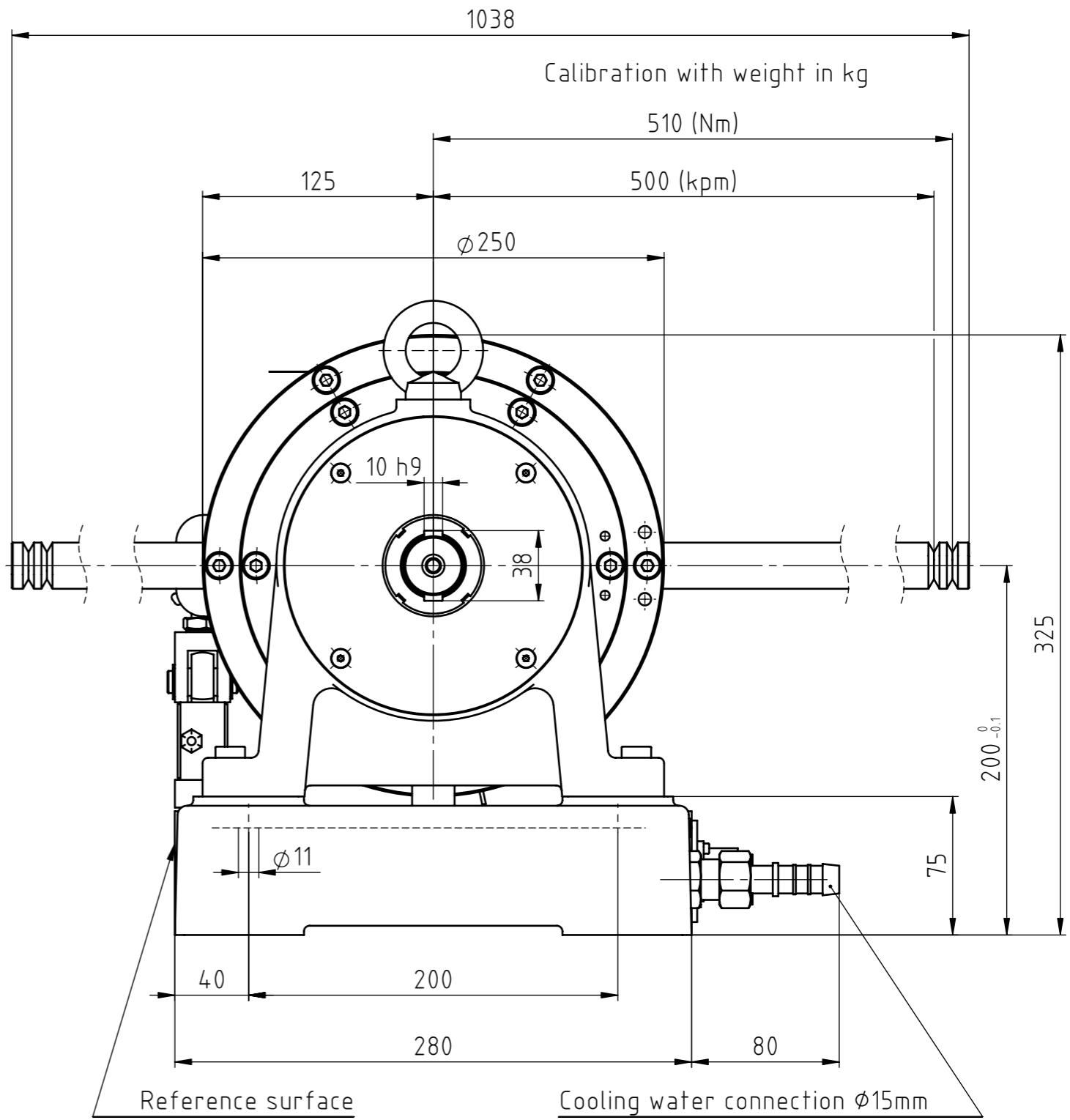


THE INFORMATION DISCLOSED HEREIN WAS ORIGINATED BY AND IS THE PROPERTY OF MAGTROL SA. MAGTROL SA RESERVES ALL PATENT PROPRIETARY, DESIGN, USE, SALE, MANUFACTURING AND REPRODUCTION RIGHTS THERETO.



$\varnothing 32 \text{ h6} (-0.016)$
 DIN 332-D M8
 30

Type	A	B	C	D	E
1WB115 1PB115	390	280	166	197	-40
2WB115 2PB115	500	390	276	235	15



6								
5								
4								
3								
2								
1								
Rev.	Date	PM	Drawn	Appr.	Repl. by :			
					Repl. for:			
Tolerances: \pm mm to 50mm, \pm mm over 50mm								
Material:						Scale 1:3		
Finish:						DRAWING N°		
Dynamometers 1-2WB115 1-2PB115						313-101-000V051		



Drawn	26.07.05	J.Sottaz
Checked		
Approved	27.07.05	N.Buri