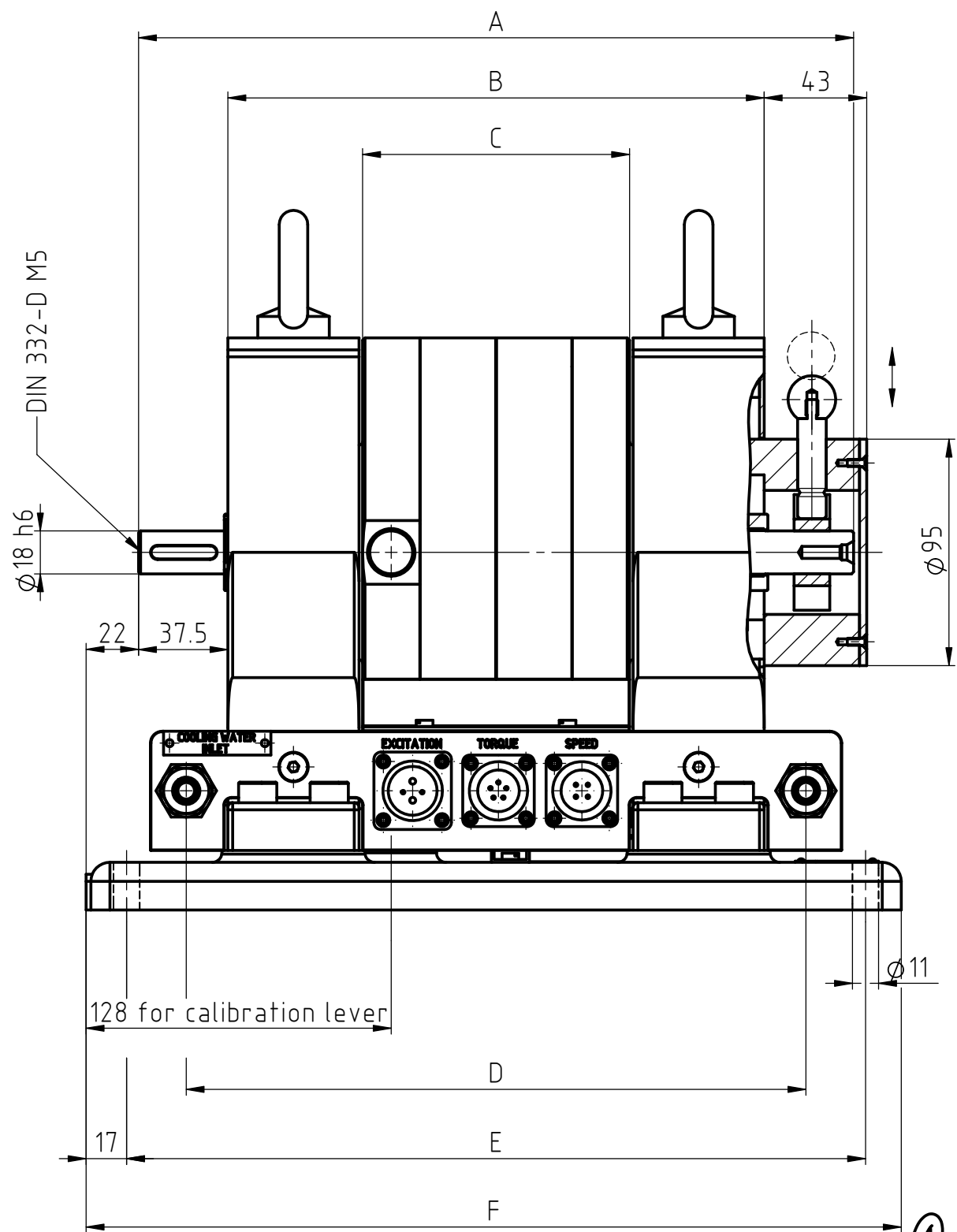
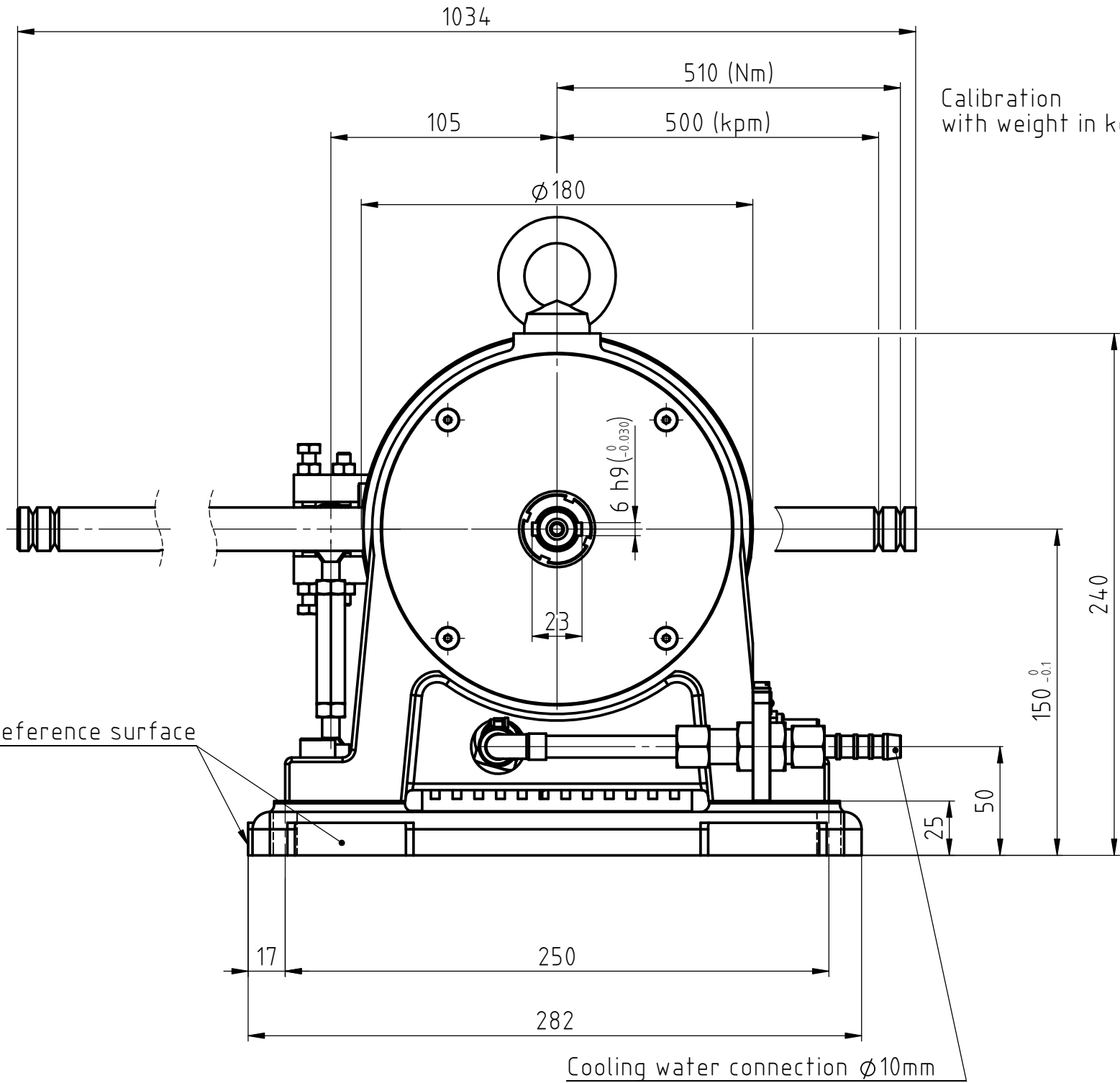


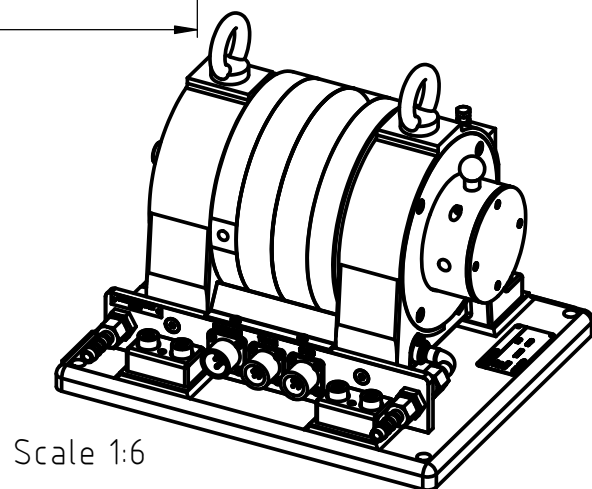
THE INFORMATION DISCLOSED HEREIN WAS ORIGINATED BY AND IS THE PROPERTY OF MAGTROL SA. MAGTROL SA RESERVES ALL PATENT PROPRIETARY, DESIGN, USE, SALE, MANUFACTURING AND REPRODUCTION RIGHTS THERETO.



Reference surface



Type	A	B	C	D	E	F
1WB 65-MB	300	225	112	260	310	342
2WB 65-MB	370	295	182	330	380	412



6								
5								
4								
3								
2								
1								
Rev.	Date	PM	Drawn	Appr.	Repl. by :			
					Repl. for: id. 4.9.86			
Tolerances: ±					mm to 50mm, ±		mm over 50mm	
Material:							Scale	
Finish:							1:2.5	
Dynamometers 1+2WB 65-MB with mechanical rotor locking device							DRAWING N°	
							312-105-000V101	
			MAGTROL SA SWITZERLAND		Drawn		20.02.02	
					Checked		A.Rappo	
					Approved		20.02.02	
							N.Buri	