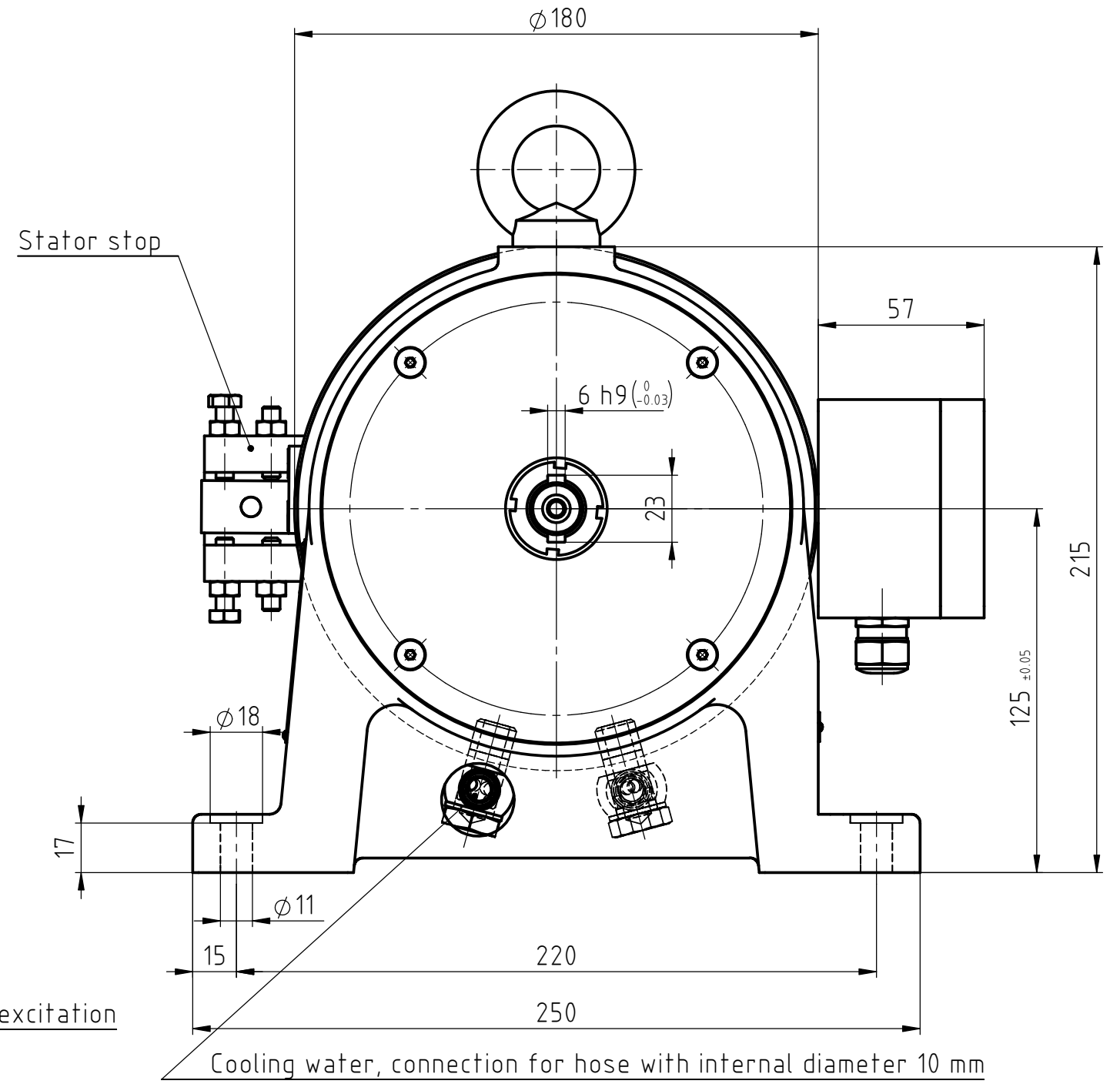
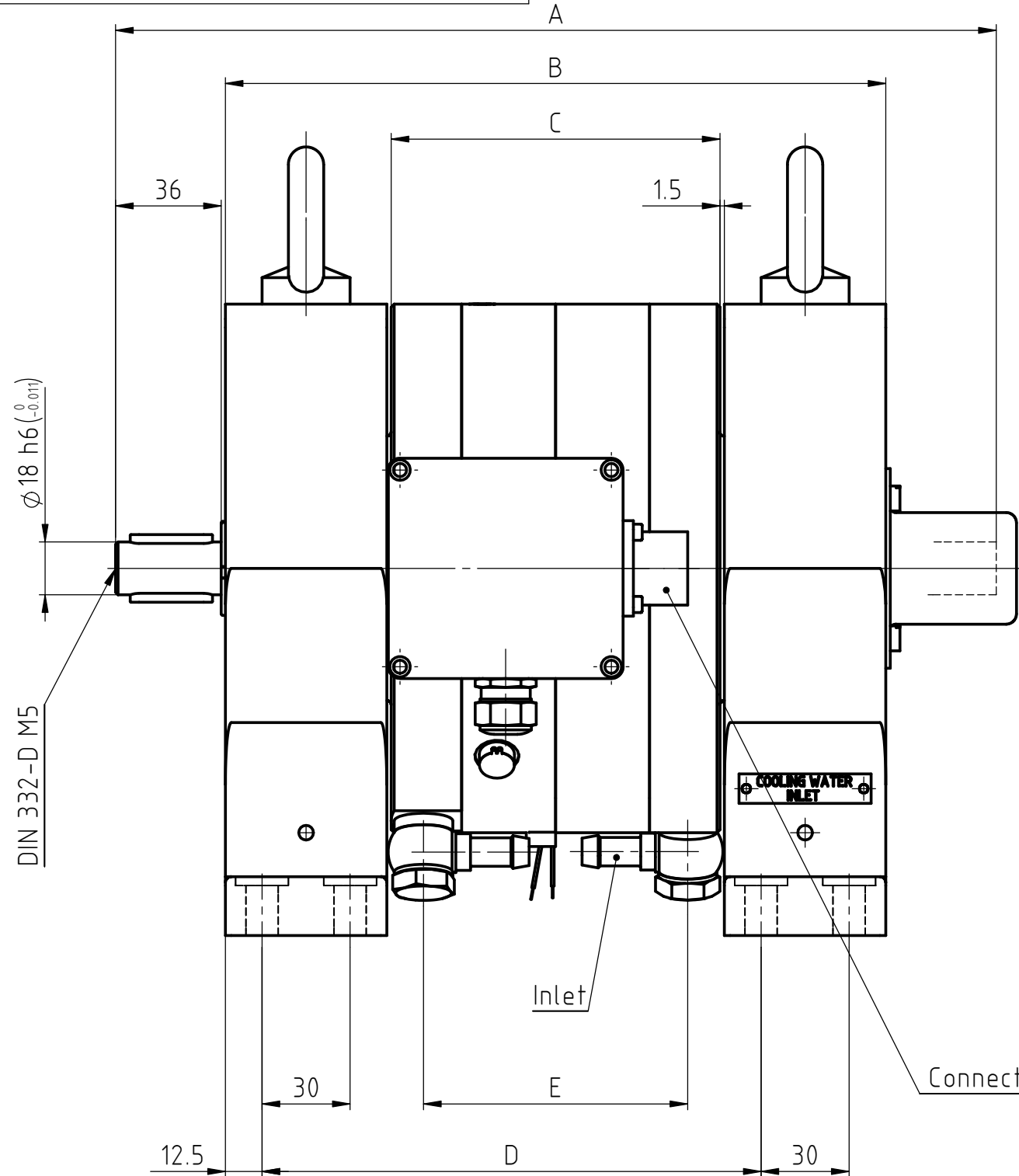


THE INFORMATION DISCLOSED HEREIN WAS ORIGINATED BY AND IS THE PROPERTY OF MAGTROL SA. MAGTROL SA RESERVES ALL PATENT PROPRIETARY, DESIGN, USE, SALE, MANUFACTURING AND REPRODUCTION RIGHTS THERETO.



TYPE		A	B	C	D	E
1WB65-IS	1PB65-IS	300	225	112	170	90
2WB65-IS	2PB65-IS	370	295	182	240	160

6									
5									
4									
3									
2	30.10.98	98478	A.Rappo	----					Neu mit Anschlussdose
1	26.06.98	----	A.Rappo	----					Zeichnungskorrektur
Rev.	Date	PM	Drawn	Appr.	Repl. by :				
					Repl. for: 312-104-000V011				
Tolerances: \pm mm to 50mm, \pm mm over 50mm									
Material:								Scale 1:2	
Finish:								Drawn 02.05.91 Giroud	
								Checked	
								Approved	
Dynamometers								DRAWING N°	
1+2WB65-IS 1+2PB65-IS								312-104-000V021	

1

2

3

1

2

3

A

B

C

D