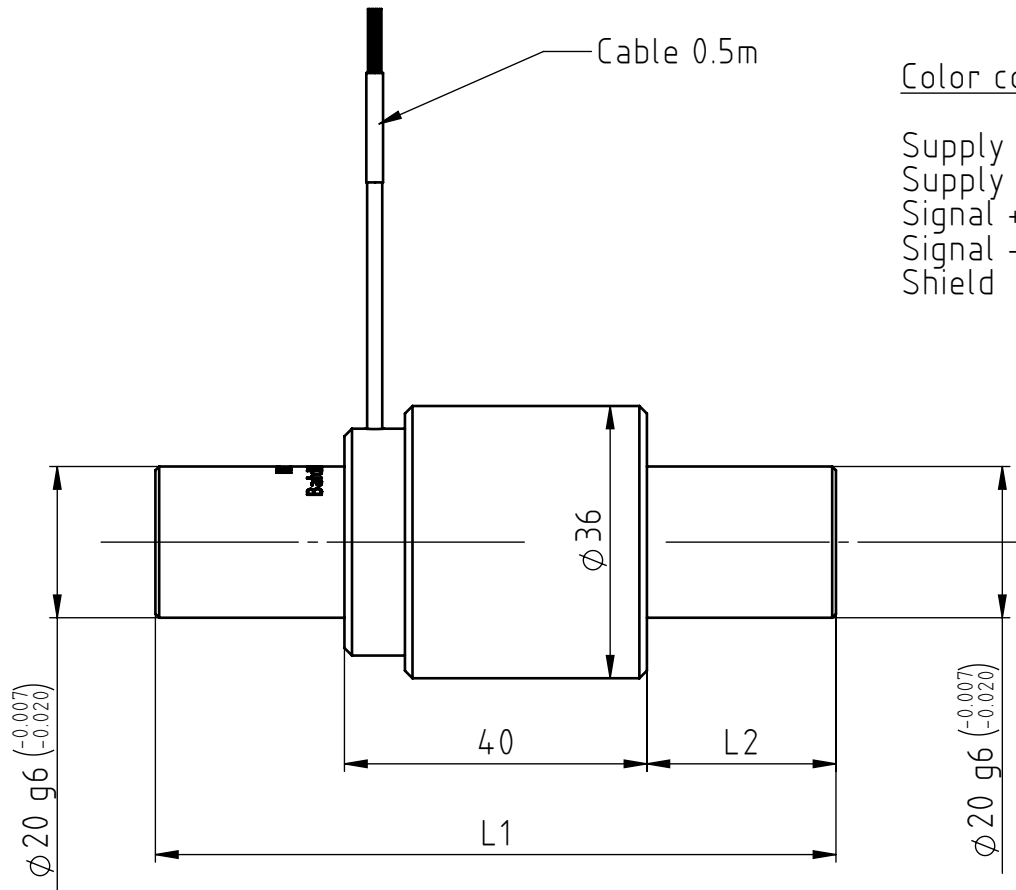


A

B

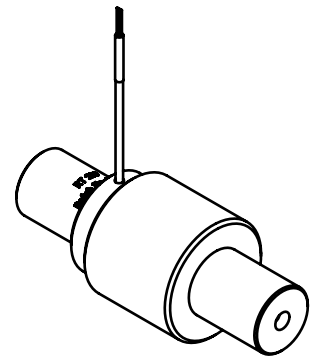
THE INFORMATION DISCLOSED HEREIN WAS ORIGINATED BY AND IS THE PROPERTY OF MAGTROL SA. MAGTROL SA RESERVES ALL PATENT PROPRIETARY, DESIGN, USE, SALE, MANUFACTURING AND REPRODUCTION RIGHTS THERETO.



Color code:

Supply +: Red
 Supply -: Black
 Signal +: White
 Signal -: Green
 Shield

PN	Torque [Nm]	L1	L2
125-209-000-011	20	90	25
125-210-000-011	50	110	35
125-211-000-011	100	120	40



6
5
4
3
2
1

Rev.	Date	PM	Drawn	Appr.	Repl. by:	Repl. for:

Tolerances: ± 0.1 mm to 50mm, ± 0.2 mm over 50mm

Material: Stainless Steel

Finish:



Scale
1:2

Drawn	12.10.20	ygre
Checked	12.10.20	ajoy
Approved	12.10.20	ygre

Reaction Torque

RT 209

DRAWING N°

125-209-000V011

A

B