

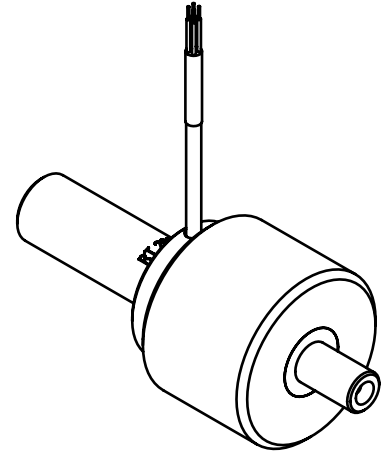
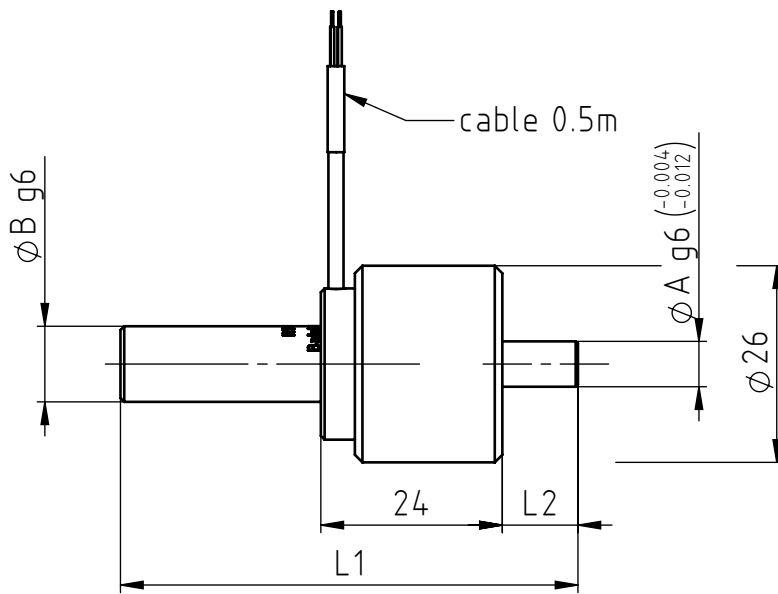
A

B

THE INFORMATION DISCLOSED HEREIN WAS ORIGINATED BY AND IS THE PROPERTY OF MAGTROL SA. MAGTROL SA RESERVES ALL PATENT PROPRIETARY, DESIGN, USE, SALE, MANUFACTURING AND REPRODUCTION RIGHTS THERETO.

Color code:

Supply +: Red  
Supply -: Black  
Signal +: White  
Signal -: Green  
Shield



Type	PN	Torque [Nm]	ØA	ØB	L1	L2
RT299	125-299-000-011	0.02	6	6	44	10
RT200	125-200-000-011	0.05	6	6	44	10
RT201	125-201-000-011	0.1	6	10	60.5	10
RT202	125-202-000-011	0.2	6	10	65.5	15
RT203	125-203-000-011	0.5	6	10	65.5	15
RT204	125-204-000-011	1	8	10	65.5	15
RT205	125-205-000-011	2	8	10	65.5	15
RT206	125-206-000-011	5	8	10	65.5	15
RT207	125-207-000-011	10	10	10	68.5	18

6	.	.	.	.	.
5	.	.	.	.	.
4	.	.	.	.	.
3	.	.	.	.	.
2	16.03.16	16025	ygre	jkos	enlever connecteur et câble 0.5m
1	23.11.15	15089	ygre	jkos	Longueur câble (0.27 au lieu de 0.5m)

Rev.	Date	PM	Drawn	Appr.	Repl. by : Repl. for: .
------	------	----	-------	-------	----------------------------

Tolerances: ± 0.1 mm to 50mm, ± 0.2 mm over 50mm

Material: Stainless Steel / Aluminum for RT200 & 299

Finish: .



**MAGTROL SA**  
SWITZERLAND

Scale  
1:1

Drawn	23.09.2015	ygre
Checked	23.09.2015	jkos
Approved	23.09.2015	acot

Reaction Torque  
RT 2XX

DRAWING N°

125-201-000V011

A

B