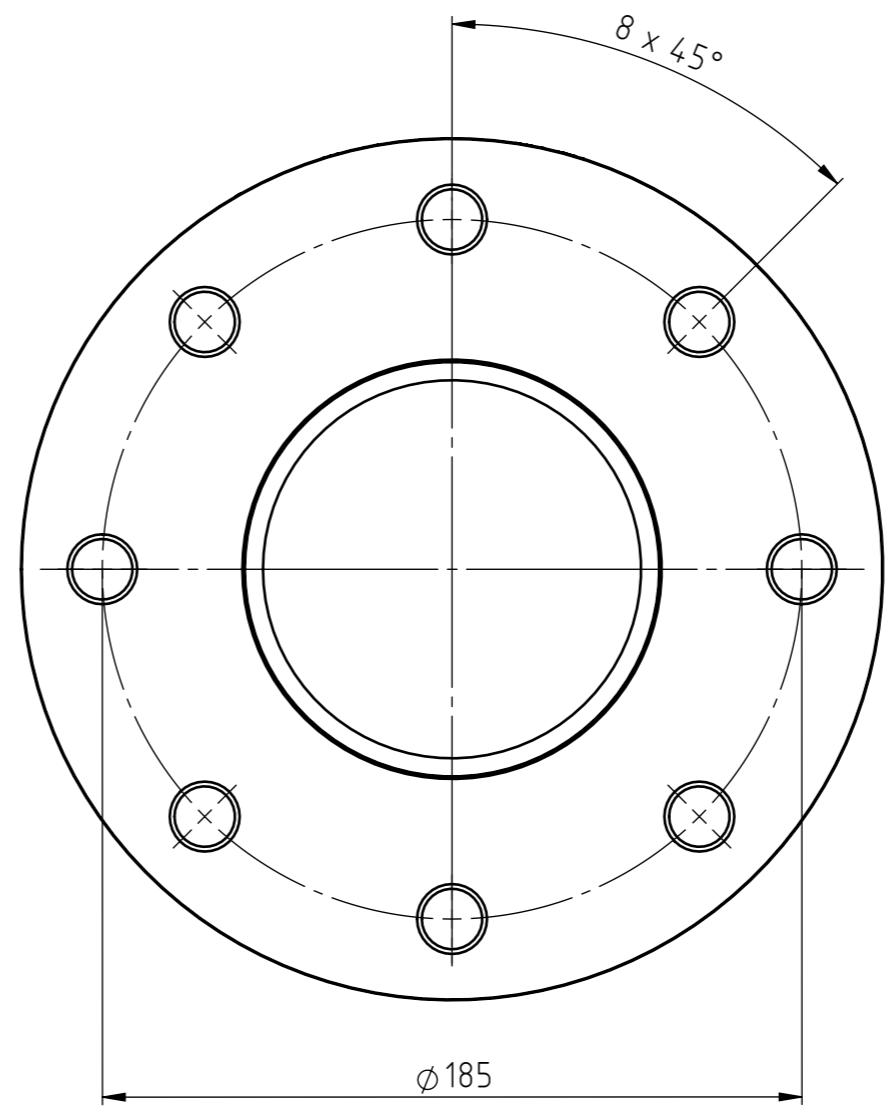
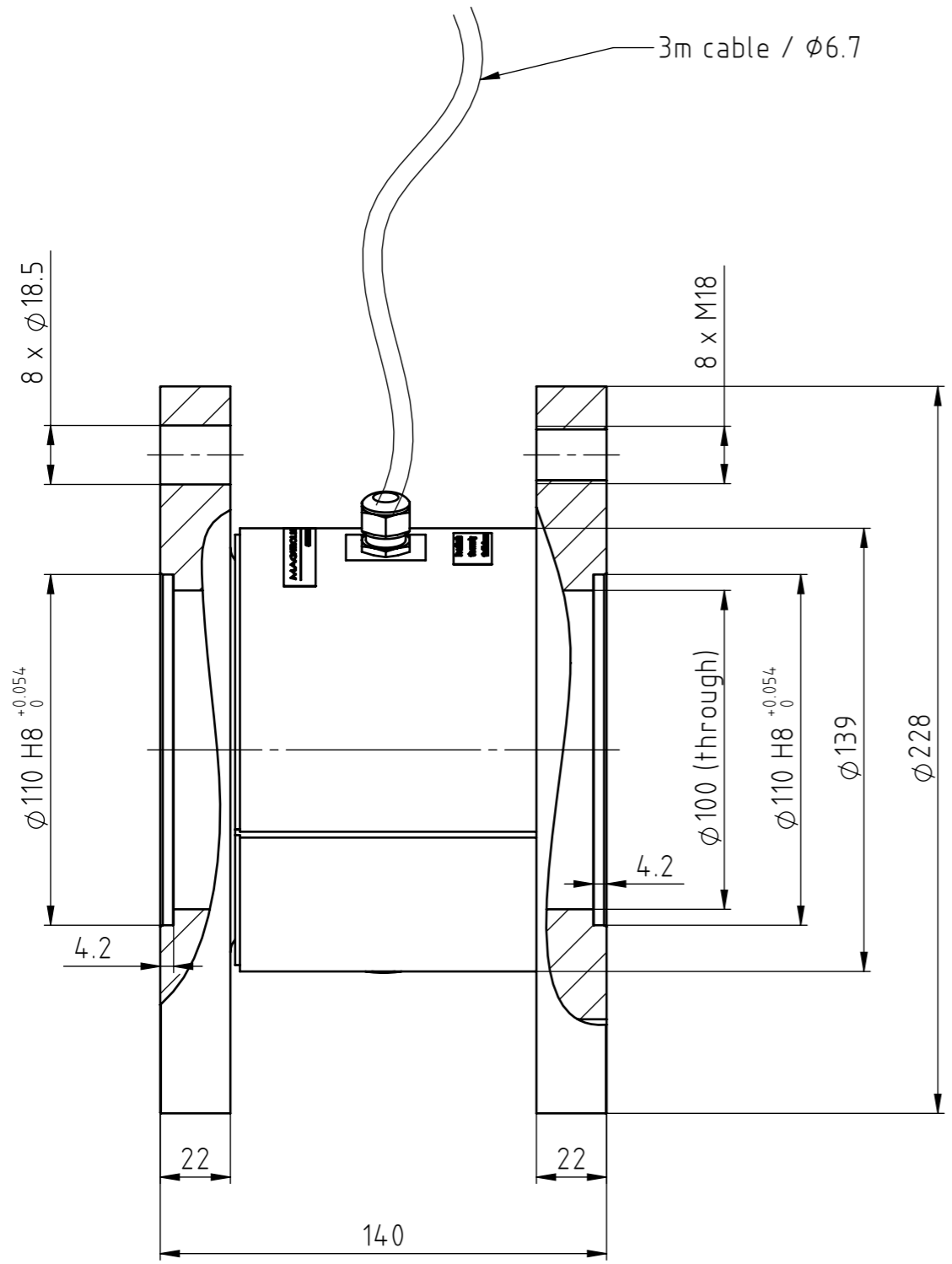
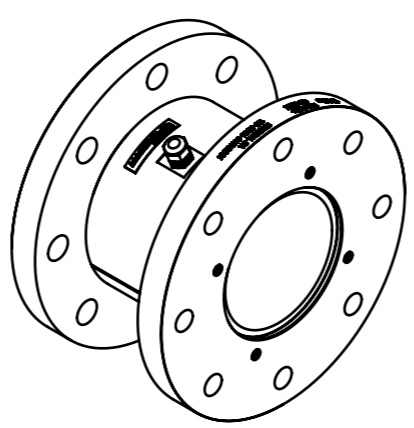


THE INFORMATION DISCLOSED HEREIN WAS ORIGINATED BY AND IS THE PROPERTY OF MAGTROL SA. MAGTROL SA RESERVES ALL PATENT PROPRIETARY, DESIGN, USE, SALE, MANUFACTURING AND REPRODUCTION RIGHTS THERETO.



Color code:  
 Supply + : Red  
 Supply - : Blue  
 Signal + : White  
 Signal - : Green  
 Shield

Nominal Torque: 10 kNm  
 Sensitivity: 1mV/V/ Nom.Torque  
 Impedance: 700 Ohm  
 Screws: 8 x M18 (10.9)  
 Screwing Torque: 469 Nm



6									
5									
4									
3									
2									
1									
Rev.	Date	PM	Drawn	Appr.	Repl. by :				
					Repl. for :				
Tolerances: ± 0.1 mm to 50mm, ± 0.2 mm over 50mm									
Material:						Scale 1:5	Drawn	21.01.15	ygre
Finish:							Checked	21.01.15	ajoy
							Approved	21.01.15	ygre
Reaction Torquemeter 10 kNm						DRAWING N°			
RT 117						125-117-000V011			

