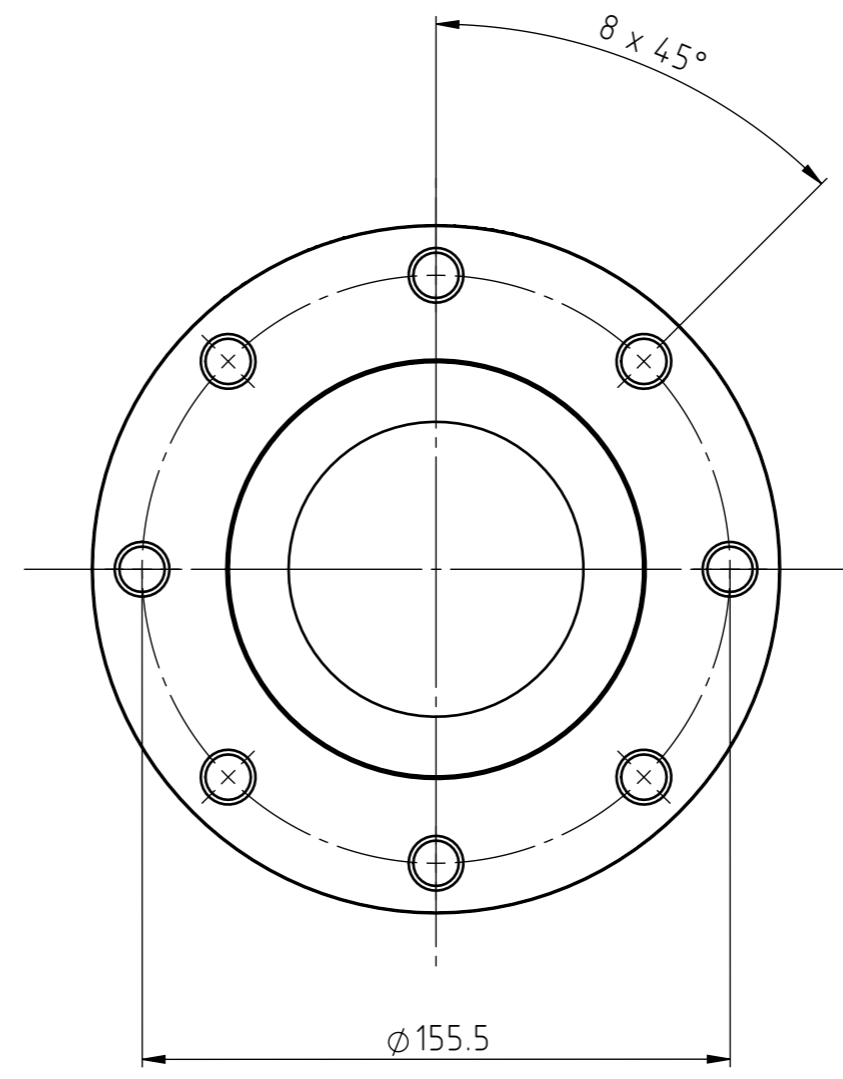
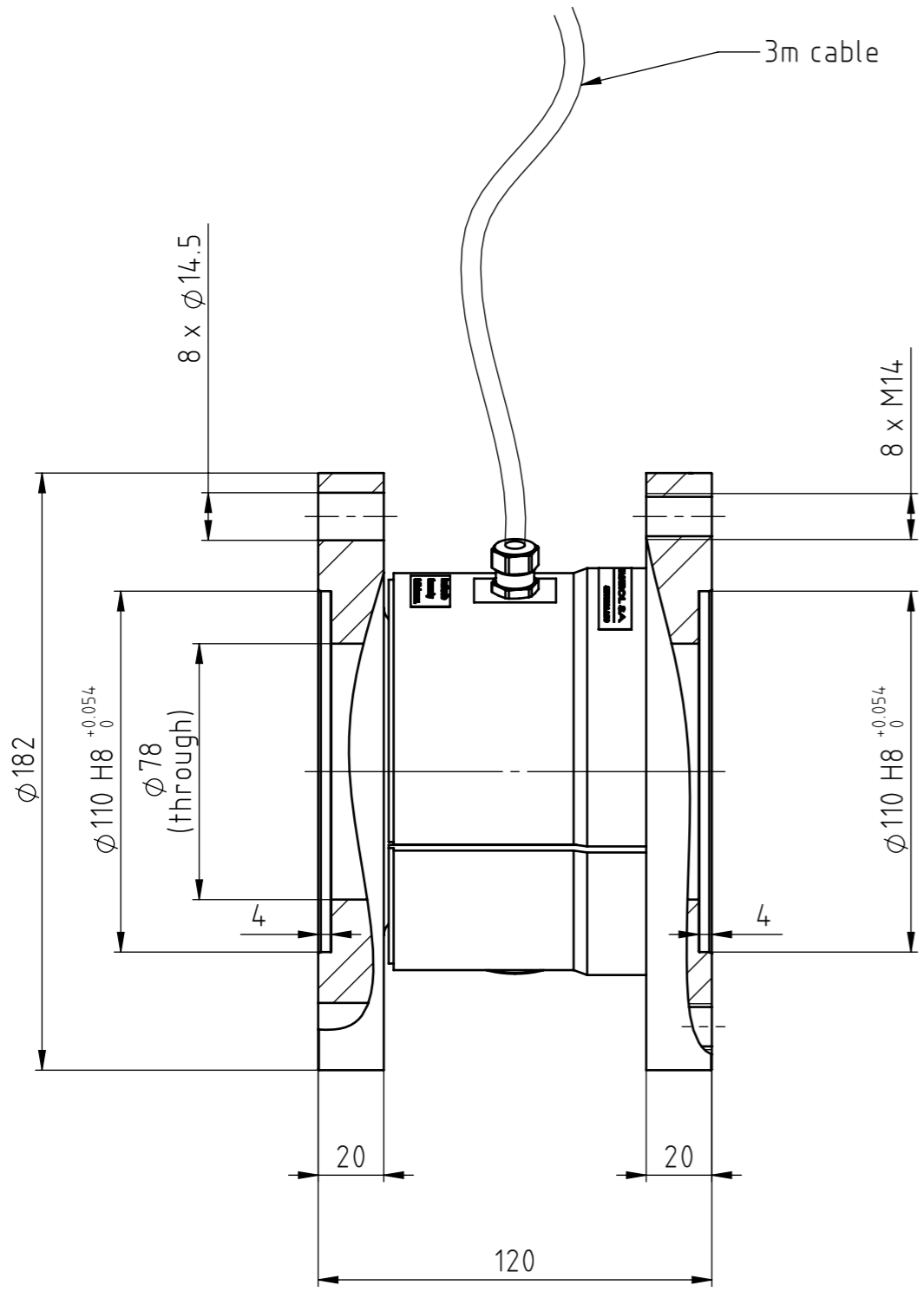
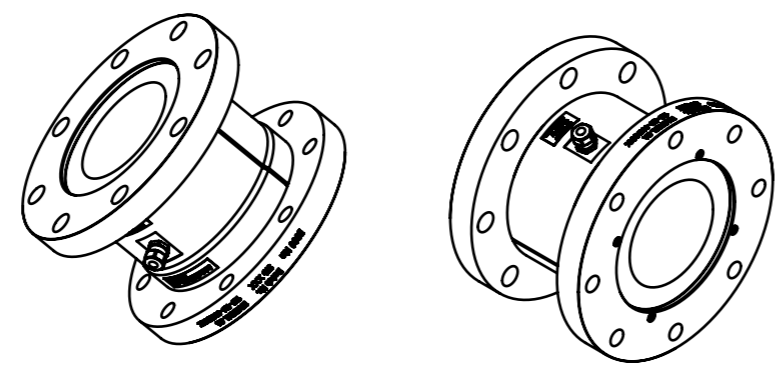


THE INFORMATION DISCLOSED HEREIN WAS ORIGINATED BY AND IS THE PROPERTY OF MAGTROL SA. MAGTROL SA RESERVES ALL PATENT PROPRIETARY, DESIGN, USE, SALE, MANUFACTURING AND REPRODUCTION RIGHTS THERETO.



Color code:
 Supply + : Red
 Supply - : Blue
 Signal + : White
 Signal - : Green
 Shield

Nominal Torque: 5 kNm
 Sensitivity: 1mV/V/ Nom.Torque
 Impedance: 700 Ohm
 Screws: 8 x M 14 (10.9)
 Screwing torque: 218 Nm



6									
5									
4									
3									
2									
1									
Rev.	Date	PM	Drawn	Appr.	Repl. by :				
					Repl. for :				
Tolerances: ± 0.1 mm to 50mm, ± 0.2 mm over 50mm									
Material:						Scale 1:5	Drawn	06.08.18	ygre
Finish:							Checked	06.08.18	jkos
							Approved	06.08.18	ygre
Reaction Torquemeter 5 kNm						DRAWING N°			
RT 116						125-116-000V011			

A B C D

A B C D

1

2

3

1

2

3