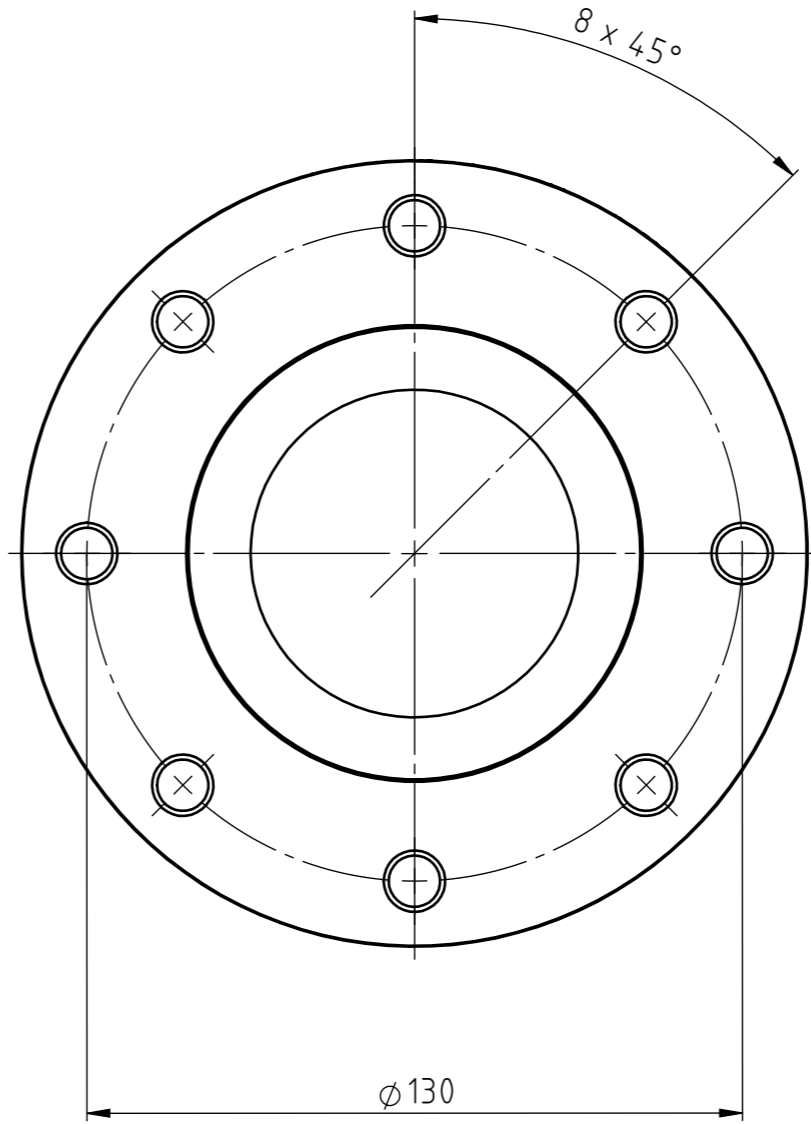
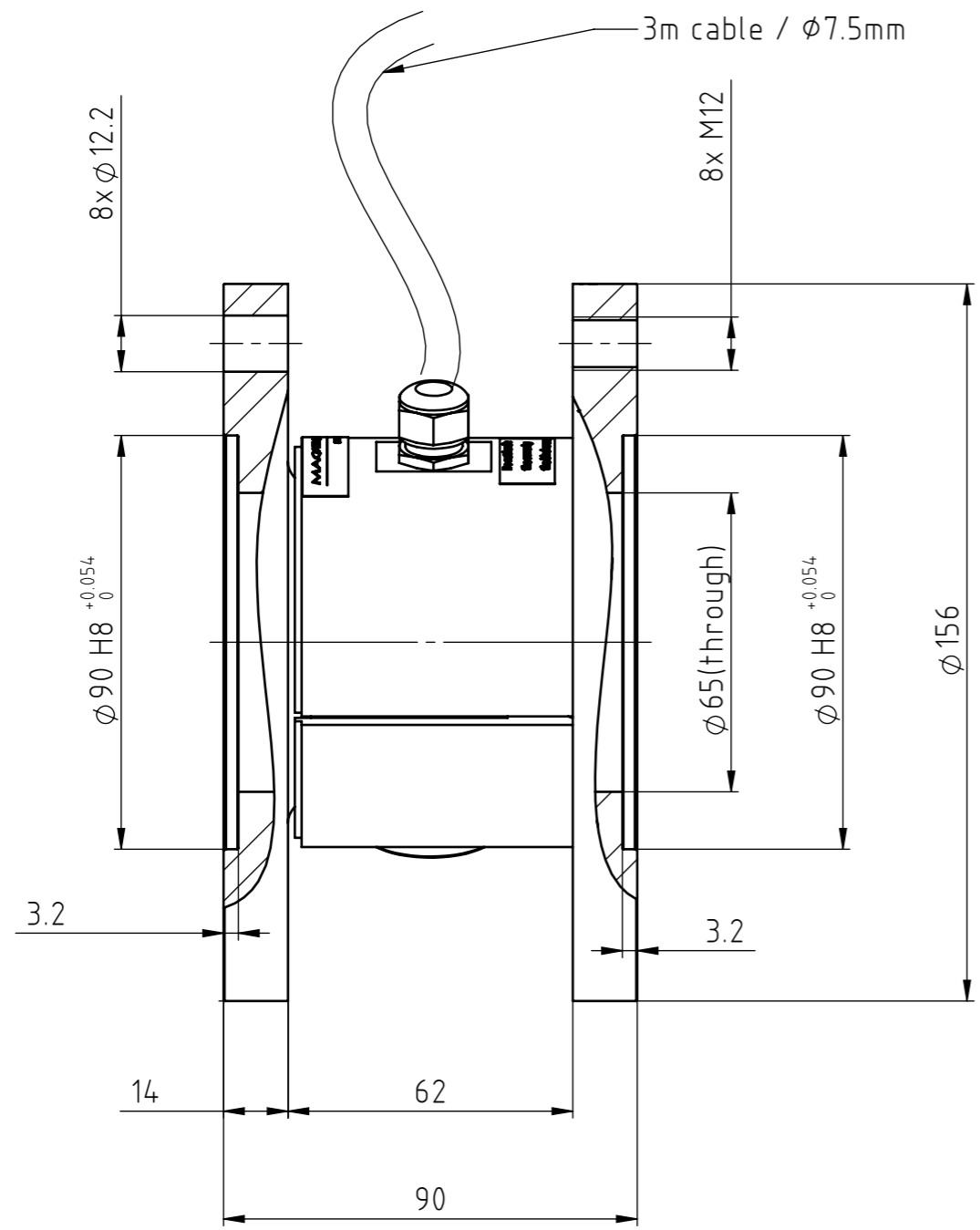
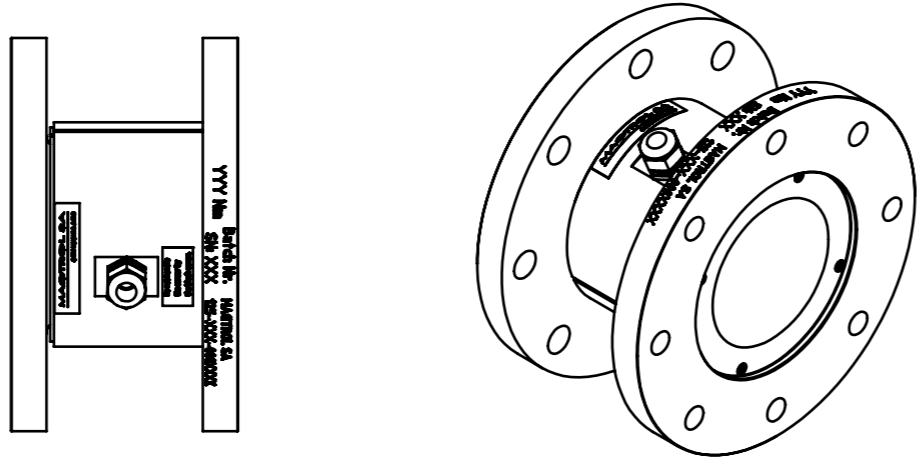


THE INFORMATION DISCLOSED HEREIN WAS ORIGINATED BY AND IS THE PROPERTY OF MAGTROL SA. MAGTROL SA RESERVES ALL PATENT PROPRIETARY, DESIGN, USE, SALE, MANUFACTURING AND REPRODUCTION RIGHTS THERETO.



Color code:  
 Supply + : Red  
 Supply - : Blue  
 Signal + : White  
 Signal - : Green  
 Shield

Nominal Torque:  
 RT114: 1 kNm  
 RT115: 2kNm  
 Sensitivity: 1mV/V/ Nom.Torque  
 Impedance: 700 Ohm  
 Screws: 8 x M12 (10.9)  
 Screwing torque: 137 Nm



6									
5									
4									
3									
2									
1									
Rev.	Date	PM	Drawn	Appr.	Repl. by :				
					Repl. for :				
Tolerances: ± mm to 50mm, ± 0.2 mm over 50mm									
Material:						Scale			
Finish:						1:5			
Reaction Torquemeter 1kNm/2kNm						DRAWING N°			
						125-114-000V011			
RT 114 - RT 115 / 011									

**MAGTROL SA**  
 SWITZERLAND

Drawn	04.04.16	ygre
Checked	04.04.16	blot
Approved	04.04.16	ygre