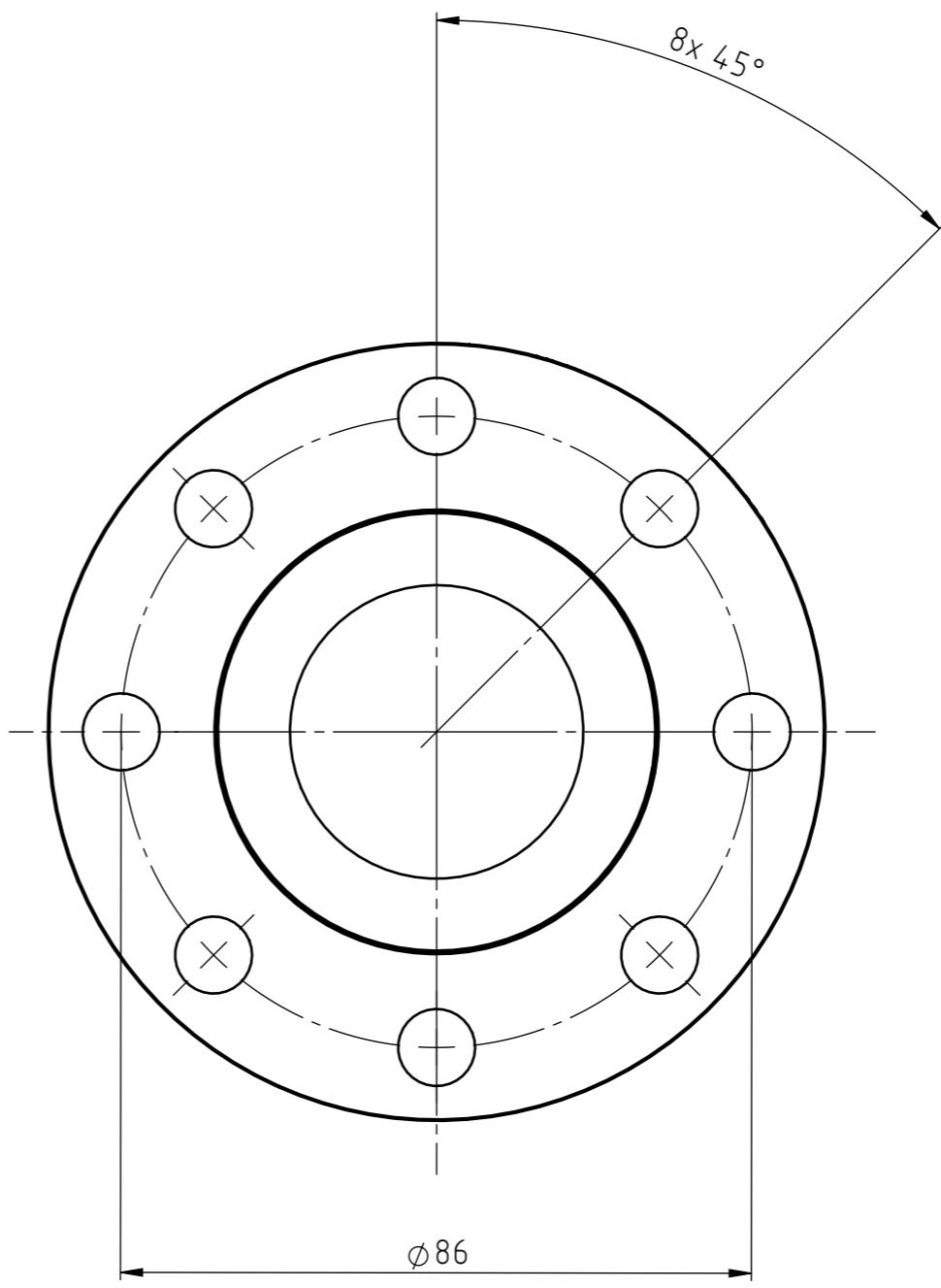
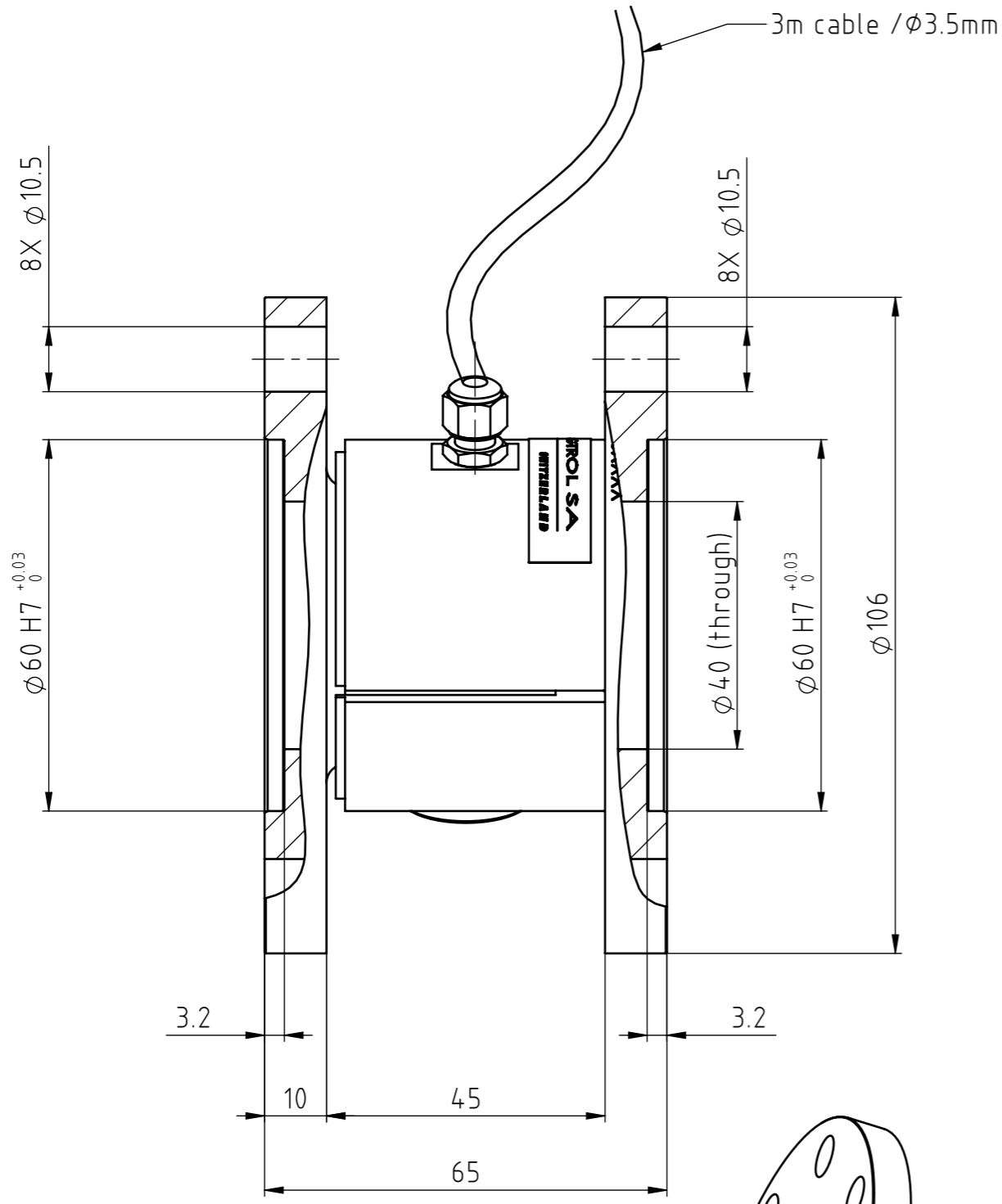


THE INFORMATION DISCLOSED HEREIN WAS ORIGINATED BY AND IS THE PROPERTY OF MAGTROL SA. MAGTROL SA RESERVES ALL PATENT PROPRIETARY, DESIGN, USE, SALE, MANUFACTURING AND REPRODUCTION RIGHTS THERETO.

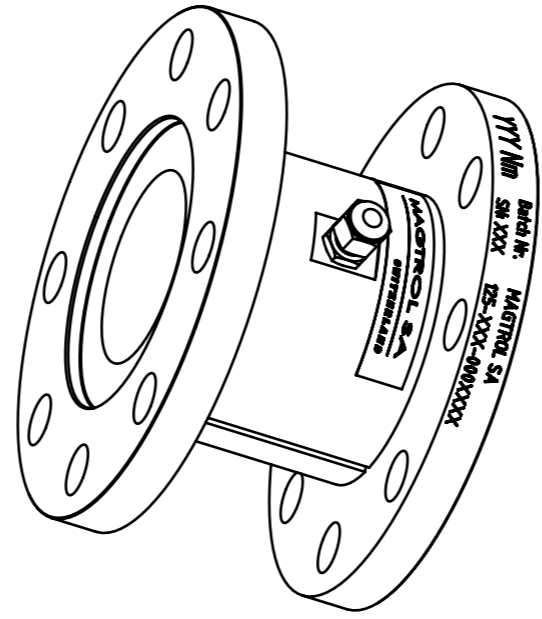


Color code:
 Supply + : Red
 Supply - : Blue
 Signal + : White
 Signal - : Black
 Shield

Nominal Torque:
 RT112 200Nm
 RT113 500Nm

Sensitivity: 1mV/V/ Nom.Torque
 Impedance: 700 Ohm

Screws: 8 x M10(10.9)
 Screwing torque: 79 Nm



6															
5															
4															
3															
2															
1	15.04.15	15028	ygre	jkos	Rajout fenêtre										
Rev.	Date	PM	Drawn	Appr.	Repl. by :										
					Repl. for:										
Tolerances: \pm mm to 50mm, ± 0.2 mm over 50mm															
Material: Stainless steel															
Finish:															
Scale 1:2															
Reaction Torquemeter 200/500Nm						DRAWING N° 125-113-000V011									
RT 112 - RT113															
<table border="1"> <tr> <td>Drawn</td> <td>23.08.13</td> <td>ygre</td> </tr> <tr> <td>Checked</td> <td>23.08.13</td> <td>blot</td> </tr> <tr> <td>Approved</td> <td>23.08.13</td> <td>ygre</td> </tr> </table>						Drawn	23.08.13	ygre	Checked	23.08.13	blot	Approved	23.08.13	ygre	
Drawn	23.08.13	ygre													
Checked	23.08.13	blot													
Approved	23.08.13	ygre													